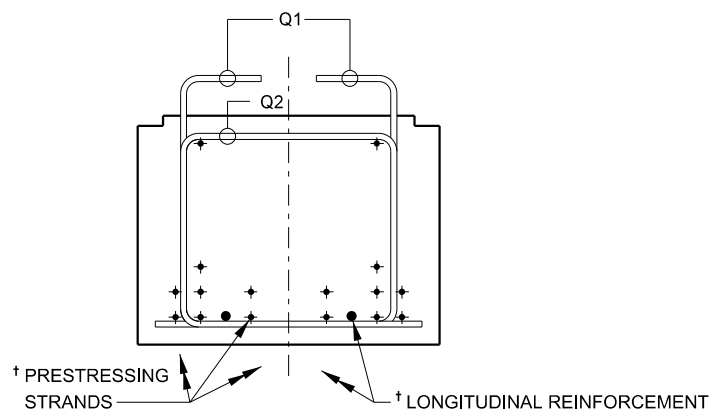
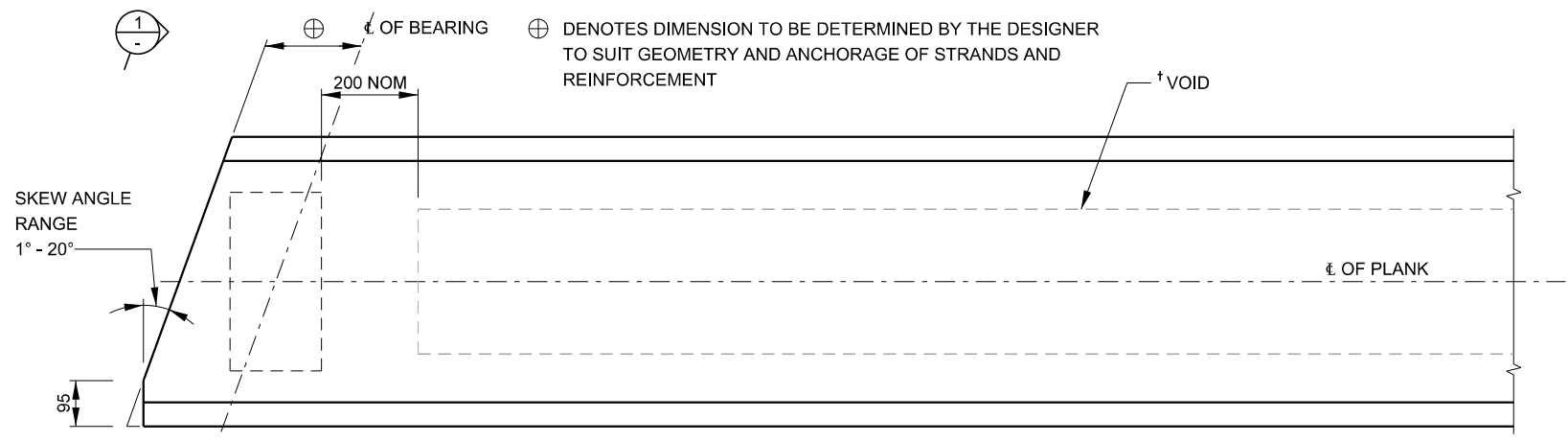


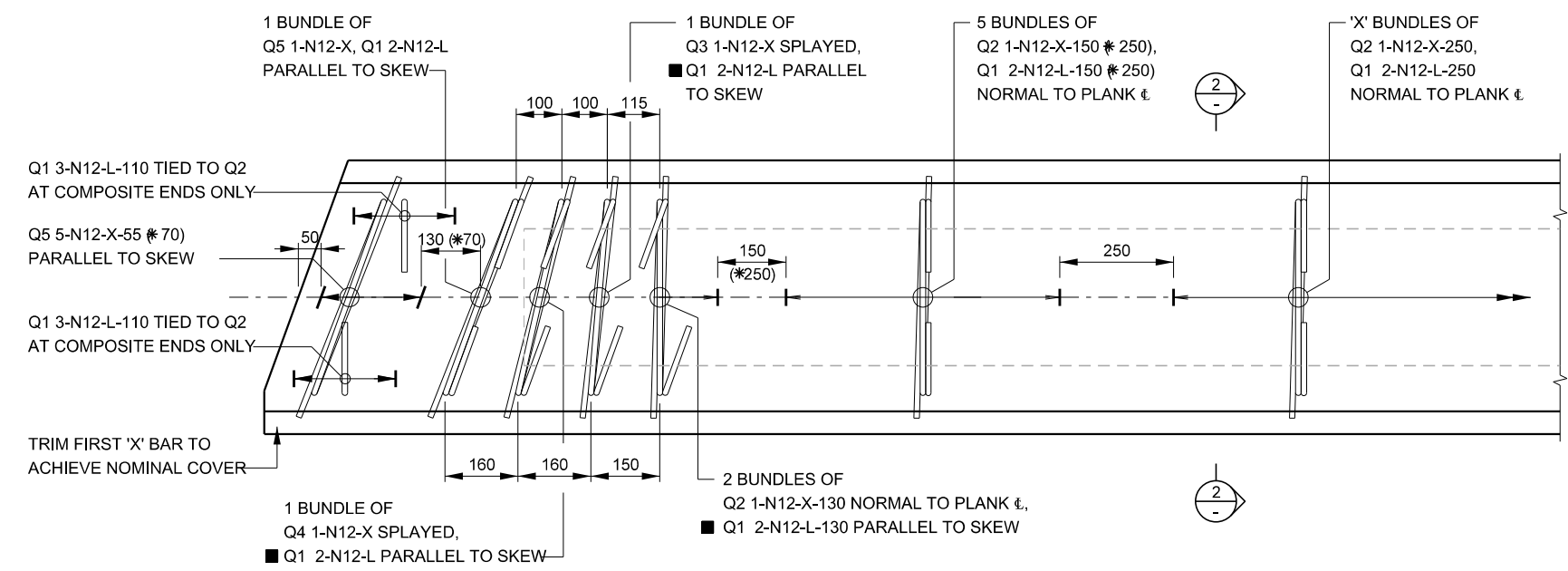
VIEW 1



SECTION 2



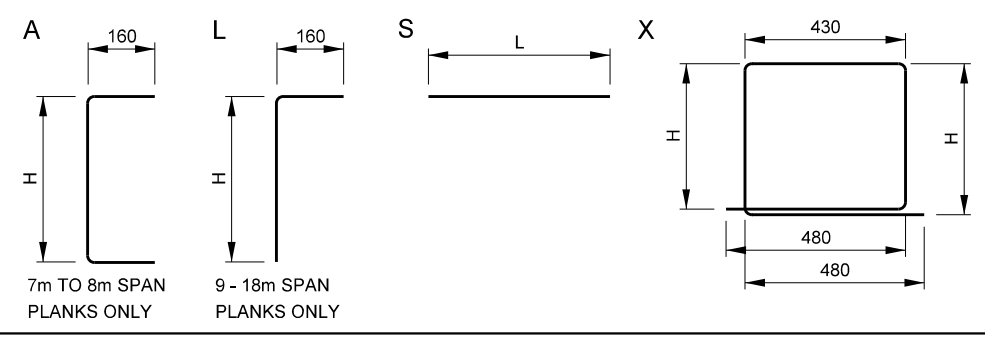
PLAN CONCRETE



PLAN REINFORCEMENT

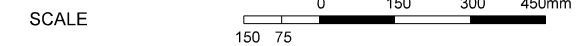
BAR SPACING IS GIVEN ALONG ⊕ OF PLANK  
 LONGITUDINAL REINFORCEMENT AND PRESTRESSING STRANDS NOT SHOWN  
 BAR MARK 'L' SHALL BE REPLACED WITH 'A' FOR 7m TO 8m SPAN PSC PLANK LENGTHS  
 THE NUMBER OF BUNDLES 'X' IS DEPENDANT ON THE PSC PLANK LENGTH  
 \* DENOTES DIMENSION FOR 7m TO 8m SPAN PSC PLANKS  
 ■ DENOTES BARS PLACED NORMAL TO PLANK ⊕ AT COMPOSITE ENDS

STANDARD BAR SHAPES DIAGRAM



DIMENSIONS SHOWN ON BAR SHAPES DIAGRAM ARE MEASURED FROM THE OUTSIDE FACES OF THE BARS AND ARE IN MILLIMETRES.  
 THE TRANSVERSE DIMENSIONS SHOWN FOR "X" BARS ARE NORMAL TO THE PLANK ⊕.  
 BAR SIZE IS THE NOMINAL DIAMETER IN MILLIMETRES.  
 BARS SHALL BE GRADE D500N TO AS/NZS 4671.  
 THE INCLUDED ANGLE OF ANY BEND SHALL BE A RIGHT ANGLE.  
 ALL BENDS SHALL BE FITMENT BENDS IN ACCORDANCE WITH AS 5100.5.

GENERAL NOTES



THESE DETAILS APPLY TO PSC PLANKS WITH SKEWED ENDS AND SHALL BE READ IN CONJUNCTION WITH RELEVANT SPAN LENGTH PSC PLANK STANDARD DRAWINGS.  
 DENOTES AS APPLICABLE TO RELEVANT SPAN LENGTHS.  
 DESIGN LOADING: SM1600

APPROVED FOR USE R. RAVINDRA A/PRINCIPAL ENGINEER BRIDGES 17/03/2017 DATE	<b>Transport Roads &amp; Maritime Services</b> SEND FEEDBACK ON THIS STANDARD DRAWING TO: technologystandards@mns.nsw.gov.au EDMS No DS2017/000900	<b>STANDARD DRAWING</b>  <b>PSC PLANK GIRDER</b> <b>SKEW 1-20</b>	STATUS ISSUED ISSUE DATE MARCH 2017 REVISION ISSUE 1 STANDARD DRAWING No B0315
---	---	--	---