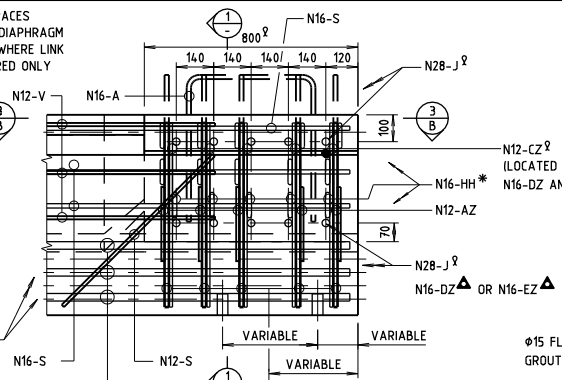
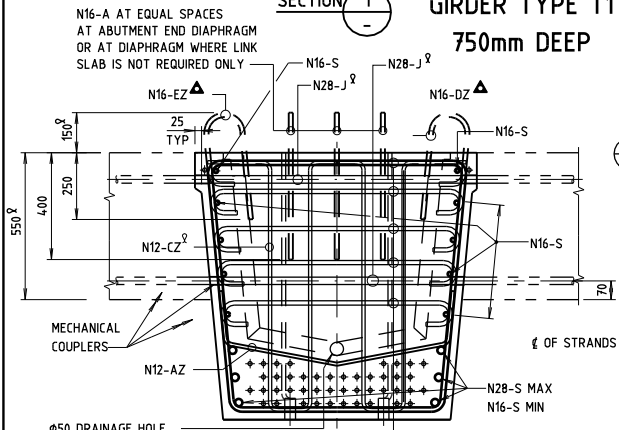


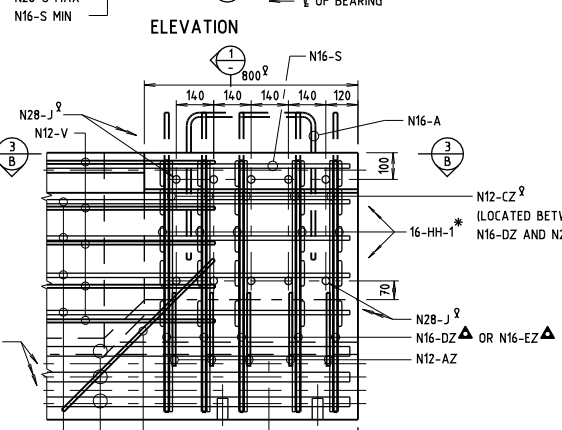
SECTION 1
GIRDER TYPE T1
750mm DEEP



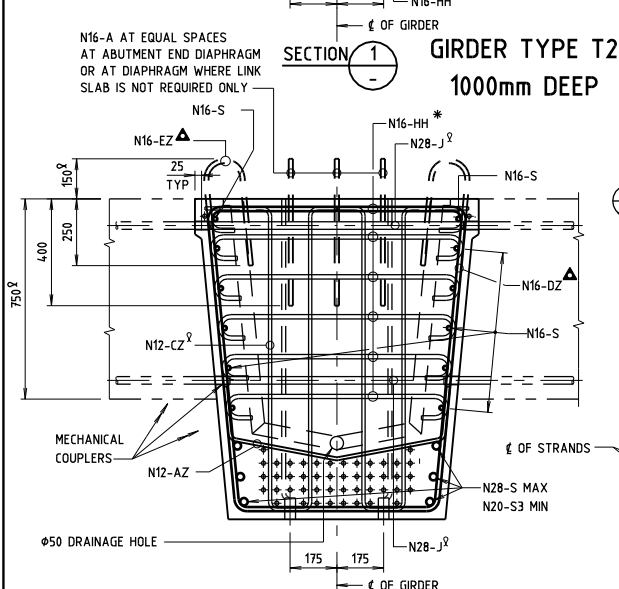
ELEVATION
GIRDER TYPE T1
750mm DEEP



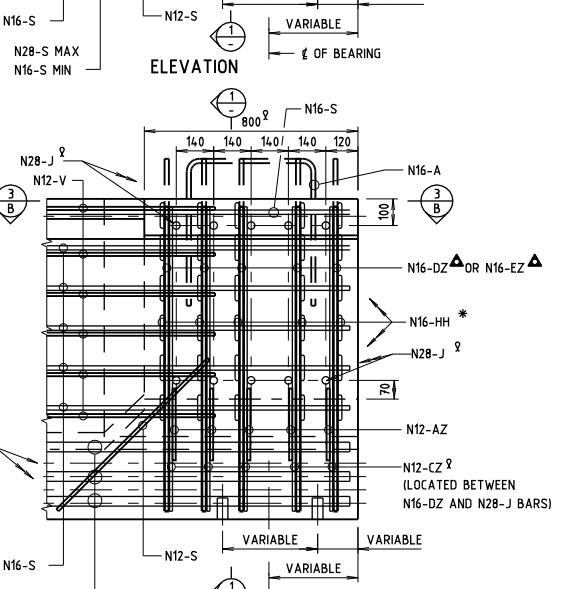
SECTION 1
GIRDER TYPE T2
1000mm DEEP



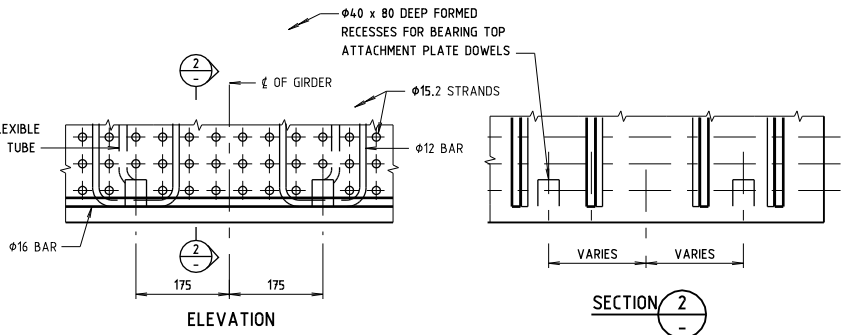
ELEVATION
GIRDER TYPE T2
1000mm DEEP



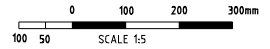
SECTION 1
GIRDER TYPE T3
1200mm DEEP



ELEVATION
GIRDER TYPE T3
1200mm DEEP



FORMED RECESSES FOR BEARING
TOP ATTACHMENT PLATE DOWELS



GENERAL NOTES

- SCALE 0 100 200 300 400 500mm OR AS SHOWN.
100 50
- THIS DRAWING SHALL BE READ IN CONJUNCTION WITH RTA DRAWING No RTAB033, RTAB033A, RTAB033B, RTAB033C, RTAB033E AND RTAB033F.
- Ø DENOTES DIMENSION/SIZE GENERALLY SUITABLE BUT CONFIRMATION REQUIRED BY THE DESIGNER (IF THIS DIMENSION/SIZE IS ALTERED OTHER DIMENSIONS MAY CHANGE).
- ▲ DENOTES N16-DZ AT PIER END DIAPHRAGM ONLY. N16-EZ AT ABUTMENT END DIAPHRAGM OR AT DIAPHRAGM WHERE LINK SLAB IS NOT REQUIRED
- * DENOTES VARIABLE LENGTH BAR

WHERE BAR SIZES HAVE BEEN SHOWN WITH THE WORDS MAX AND MIN BESIDE THEM, THE DESIGNER SHALL PROVIDE DETAILS OF BAR SIZE TO BE USED IN THE DESIGN OF THE GIRDER AND THESE SIZES SHALL BE SHOWN ON THE DESIGN DRAWINGS.

DESIGN DRAWINGS SHALL BE PREPARED IN ACCORDANCE WITH SECTION 23 OF THE RTA STRUCTURAL DRAFTING AND DETAILING MANUAL AND APPENDIX A THERETO. INDICATIVE REINFORCEMENT GRADE, BAR DIAMETER AND BAR SHAPES SHOWN SHALL BE REMOVED AND REPLACED WITH ACTUAL BAR MARKING.

APPROVED FOR USE
WARIYARATNE 09.03.2011
PRINCIPAL BRIDGE ENGINEER
© COPYRIGHT RTA, NSW 2001

ROADS AND TRAFFIC AUTHORITY OF NEW SOUTH WALES
OPEN FLANGE SUPER-T GIRDERS
REINFORCEMENT
END DIAPHRAGM DETAILS AT PIER - SHEET A