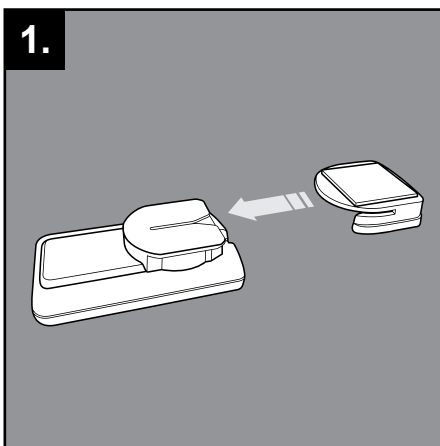


# How to install your E-Toll Tag

Here are some important instructions for installing your E-Toll Tag. It is important that you fit your tag correctly to avoid Toll Road Operator fees that apply if your tag is not detected when you are using a toll road. You will know that your tag is working if it makes a sound when you pass through a toll point.

Your electronic tag is supplied with a bracket that you must stick to the inside of the windscreen. The tag must be inserted into the bracket before use.

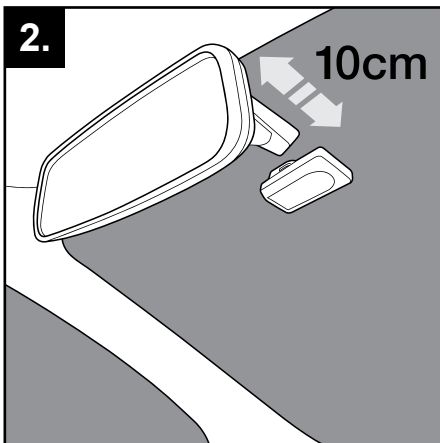
Tag Model: OBU610



## 1. Prepare your E-Toll tag

Slide the tag into the bracket until the tag clicks in place.

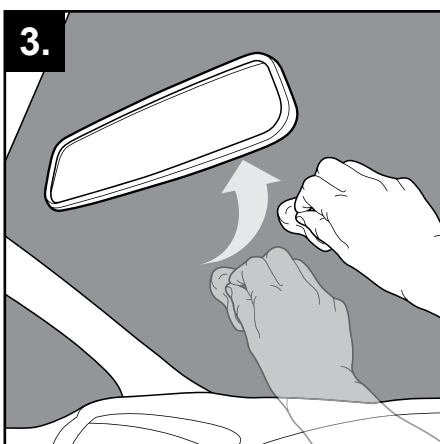
**Note:** You may hear the tag beep once after it is inserted into the bracket. This is normal and will only happen the first time you insert your new tag into its bracket.



## 2. Where to place your E-Toll tag

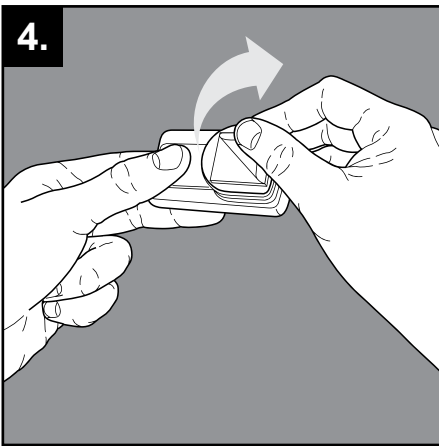
Attach your tag to the inside of the car windscreen behind the driver's rear vision mirror. It must be at least 10cm from the top of the windscreen and should be placed below any tinting or external visor.

**Note:** Some late model European-made vehicles have metallic windscreens that require a different position for your tag. If your vehicle has a metallic windscreen, an area of it will be covered with dots or be lighter than the rest of the windscreen. In this case, the tag mounting position must be within the dotted or lighter area. Please refer to your vehicle's handbook for more information.



## 3. Preparing your windscreen

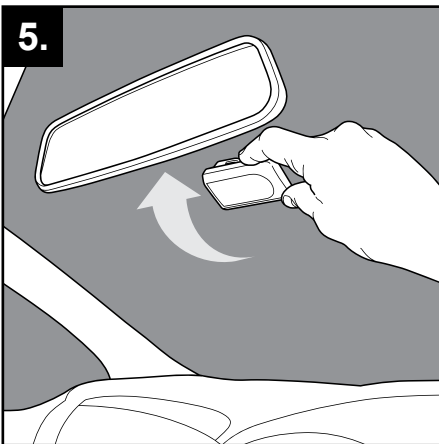
Make sure the area of the windscreen where you are going to place your tag is clean and dry.



#### 4. Preparing the tag for attachment

Next, peel the backing paper from the tape on the back of your bracket.

**Careful:** Avoid touching the sticky pad as this will reduce its adhesiveness.

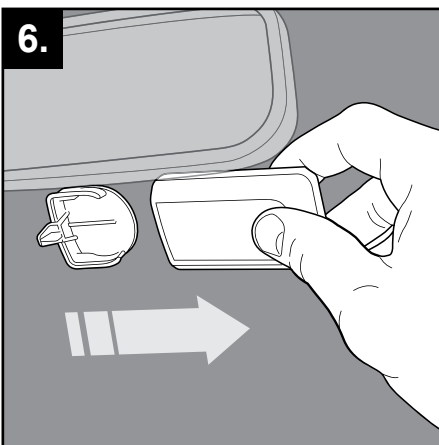


#### 5. Attaching the tag to the windscreen

Hold the tag horizontally with the bracket side to the left and the adhesive surface facing the windscreen.

Attach the tag to the windscreen this way up. Be careful to position the tag in the correct location as the tape sticks instantly and you cannot move the bracket once applied. Press firmly against the tag for 10 seconds. The whole sticky pad should be in contact with the windscreen.

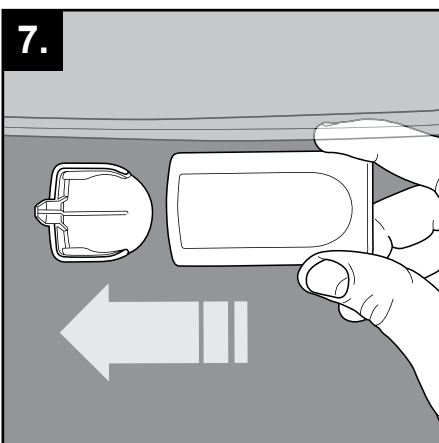
**Hint:** You can check that the whole sticky pad is in contact by looking from outside the windscreen.



#### 6. Removing the tag from the bracket

Remove the tag from the bracket by holding the right side of the tag and pull to the right.

**Careful:** Let the tag stay on the windscreen for at least one day before removing it. This will allow the adhesive on the tape to harden.



#### 7. Inserting the tag into the bracket

To insert the tag into the bracket, hold the tag horizontally. Position the tag to the right of the bracket. Slide the tag from right to left until the tag clicks in place.

#### CONTACT US

If you have any questions about your E-Toll Tag or fees please call our friendly staff on 13 18 65 or visit [www.myetoll.com.au](http://www.myetoll.com.au)