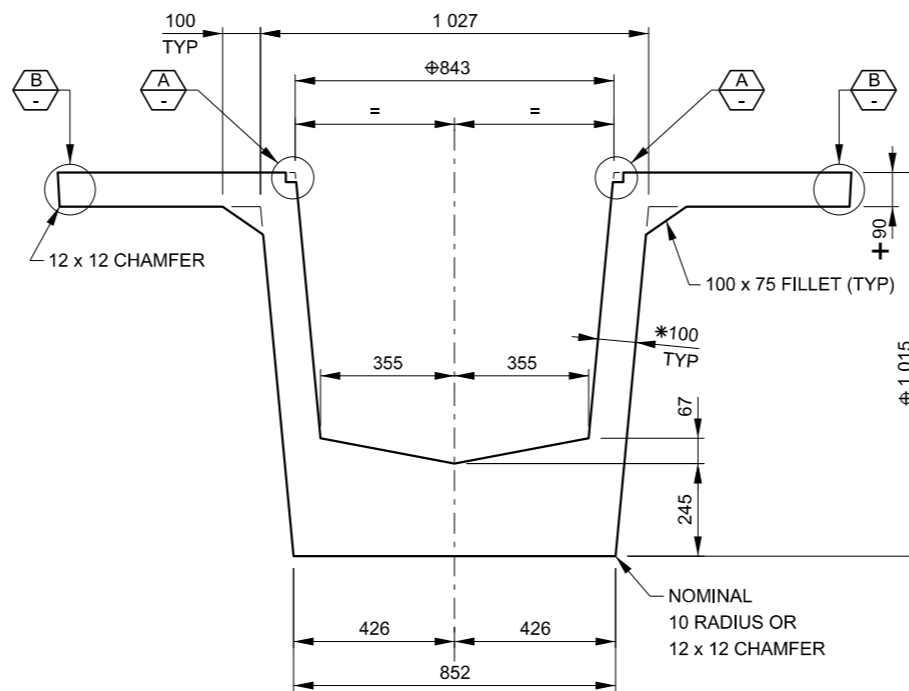
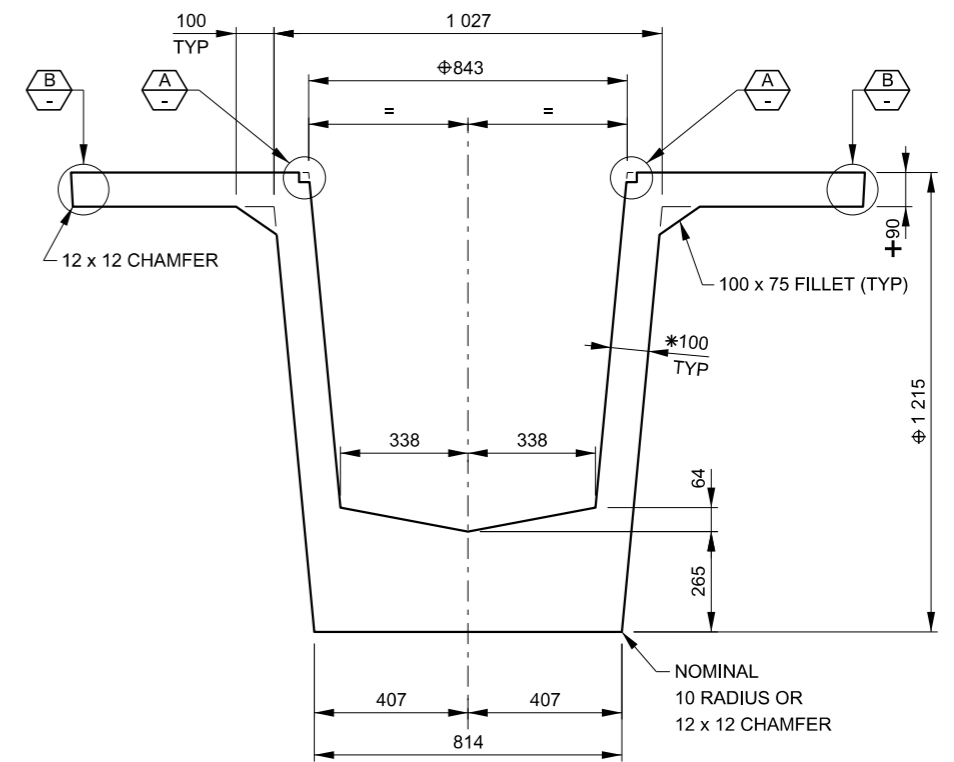


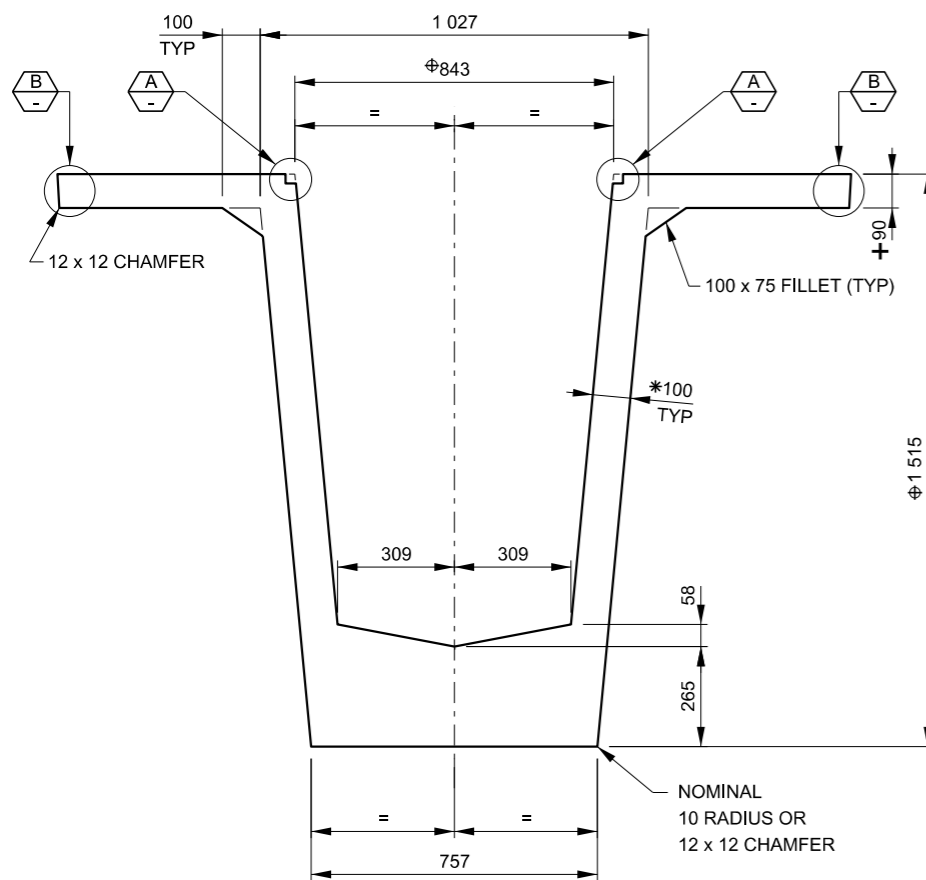
TYPE T1



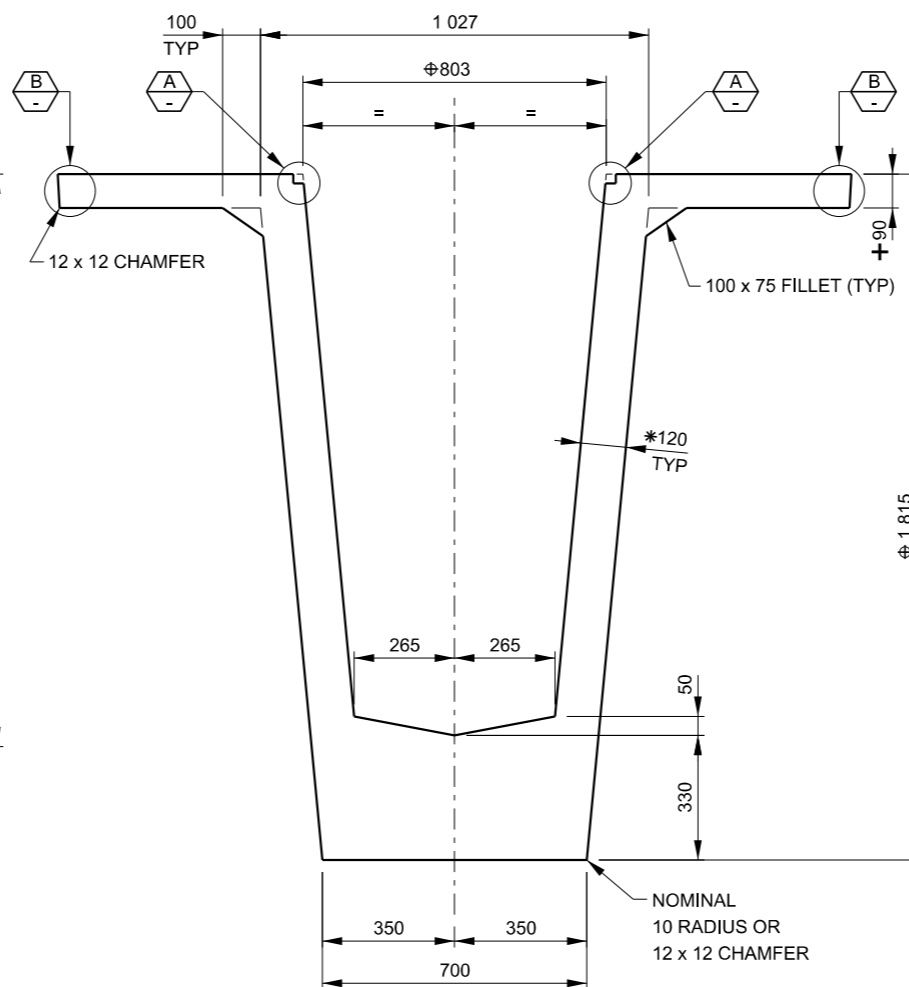
TYPE T2



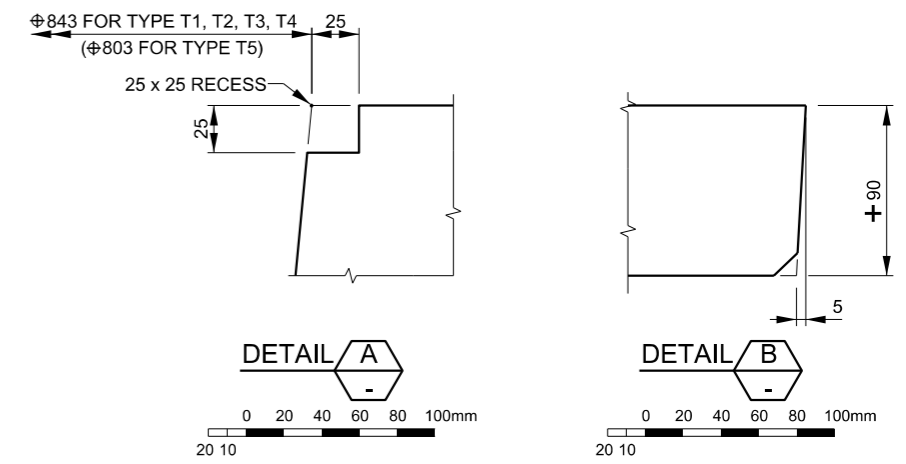
TYPE T3



TYPE T4



TYPE T5



SUPER T SECTION PROPERTIES BASED ON TOP FLANGE WIDTH OF 2100mm

TYPE	DEPTH (mm)	A (mm ²)	I _x (mm ⁴)	I _y (mm ⁴)	Y _b (mm)	Z _x (mm ³)	Z _y (mm ³)
T1	765	463657	3.15E+10	1.03E+11	351	7.60E+07	8.98E+07
T2	1015	499007	6.46E+10	1.09E+11	464	1.17E+08	1.39E+08
T3	1215	543758	1.02E+11	1.14E+11	554	1.54E+08	1.84E+08
T4	1515	587305	1.73E+11	1.20E+11	705	2.14E+08	2.46E+08
T5	1815	726863	2.89E+11	1.32E+11	856	3.02E+08	3.38E+08

GENERAL NOTES

SCALE 0 100 200 300 400 500mm OR AS SHOWN. 100 50

- * DENOTES WEB THICKNESS TO BE VERIFIED BY THE DESIGNER FOR STRENGTH REQUIREMENTS.
- + DENOTES INCREASED FLANGE THICKNESS MAY BE REQUIRED FOR GIRDER WIDTH > 2100 DEPENDING ON DECK THICKNESS AND CONSTRUCTION LOADING.
- ⊕ DENOTES DIMENSION SHALL BE INCREASED IF FLANGE THICKNESS > 90.
- ALL SURFACES IN CONTACT WITH CAST-IN-PLACE DIAPHRAGM CONCRETE SHALL BE ROUGHENED DURING MANUFACTURE TO CONSTRUCTION JOINT IN ACCORDANCE WITH RMS SPECIFICATION B80.
- THE TOP OF FLANGE SURFACE EXCEPT UNDER LINK SLAB SHALL BE MADE ROUGH BY BROOM FINISH TRANSVERSELY. GIRDER FLANGE EDGES AND TOP OF FLANGE UNDER LINK SLAB SHALL BE FINISHED SMOOTH.

APPROVED FOR USE <i>W. Ariyaratne</i> DIRECTOR BRIDGES AND STRUCTURES 21.12.2018 DATE	NSW GOVERNMENT Transport Roads & Maritime Services SEND FEEDBACK ON THIS STANDARD DRAWING TO: standardbridgedrawings@rms.nsw.gov.au EDMS No DS2017/002805	STANDARD DRAWING SUPER T GIRDER STANDARD SIZES	STATUS ISSUED ISSUE DATE DEC 2018 REVISION ISSUE 1 STANDARD DRAWING No B0201
---	---	--	---