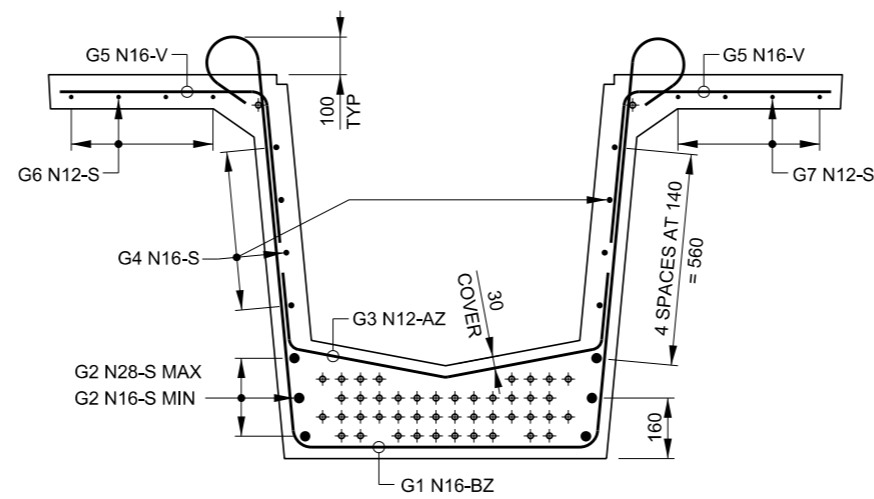
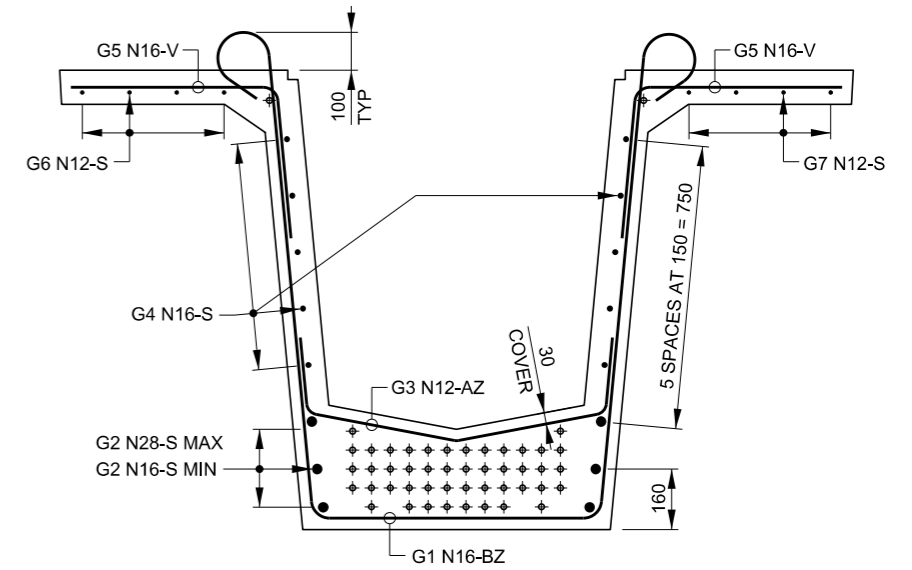


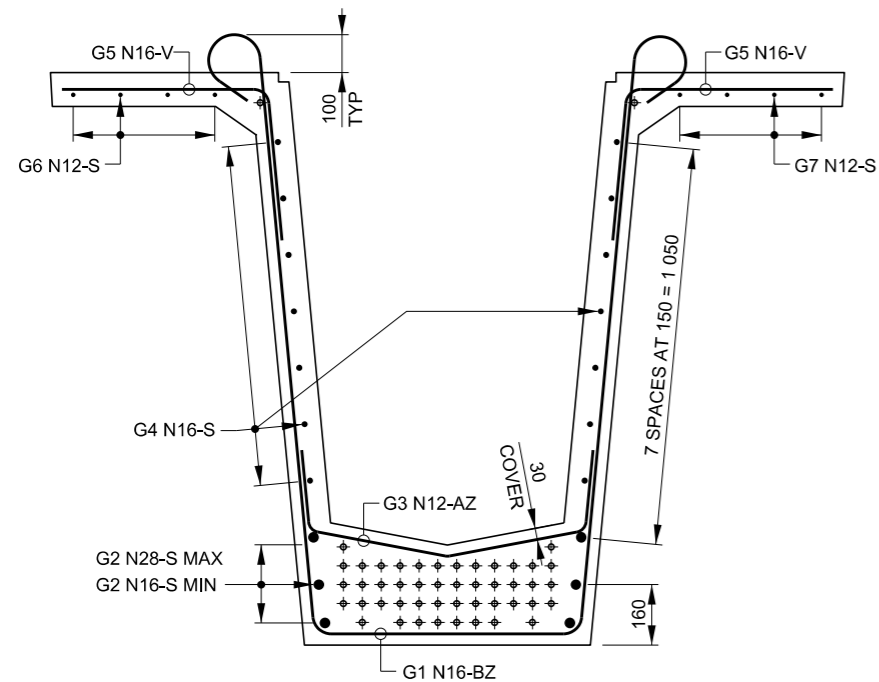
GIRDER TYPE T1



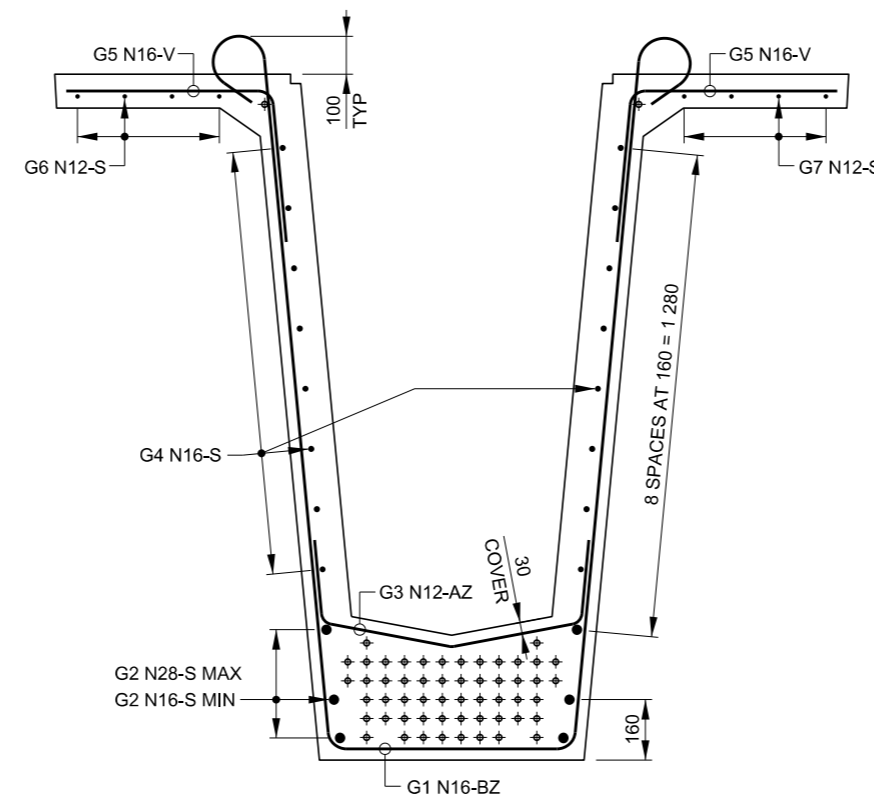
GIRDER TYPE T2



GIRDER TYPE T3

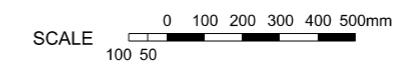


GIRDER TYPE T4



GIRDER TYPE T5

GENERAL NOTES



- THIS DRAWING SHALL BE READ IN CONJUNCTION WITH RMS DRAWING No B0203, B0205, B0206, B0207, B0208, B0209, B0210, B0212 AND B0213.
- CONCRETE EXPOSURE CLASSIFICATION: B1.
- MINIMUM 28 DAY COMPRESSIVE STRENGTH OF CONCRETE SHALL BE 50MPa.
- MINIMUM COMPRESSIVE STRENGTH OF CONCRETE AT TRANSFER OF PRESTRESS SHALL BE 32MPa (MAX 40MPa).
- REQUIRED COVER TO REINFORCEMENT NEAREST TO THE CONCRETE SURFACE SHALL BE 30mm UNLESS SPECIFIED OTHERWISE.
- THE REQUIRED COVER SPECIFIED IS BASED ON THE GIRDER BEING CAST IN A RIGID STEEL FORMWORK MOULD WITH INTENSE COMPACTION USING A VIBRATING TABLE OR FORM VIBRATORS IN CONJUNCTION WITH INTERNAL VIBRATORS.
- STRAND DEBONDING DETAILS TO BE DETERMINED BY DESIGNER.
- STRAND PATTERN SHOWS MAXIMUM NUMBER OF STRANDS FOR EACH GIRDER TYPE.
- WHERE BAR SIZES HAVE BEEN SHOWN WITH THE WORDS MAX AND MIN BESIDE THEM, THE DESIGNER SHALL PROVIDE DETAILS OF BAR SIZE TO BE USED IN THE DESIGN OF THE GIRDER AND THESE SIZES SHALL BE SHOWN ON THE DESIGN DRAWINGS.
- ACTUAL BAR MARKING OF REINFORCEMENT GRADE, BAR DIAMETER AND BAR SHAPES SHOWN HERE SHALL BE FOLLOWED WHERE POSSIBLE.

APPROVED FOR USE DIRECTOR BRIDGES AND STRUCTURES DATE: 21.12.2018	 Transport Roads & Maritime Services SEND FEEDBACK ON THIS STANDARD DRAWING TO: standardbridgedrawings@rms.nsw.gov.au EDMS No: DS2017/002806	STANDARD DRAWING		STATUS
		SUPER T GIRDER STRAND AND REINFORCEMENT DETAILS SHEET A		ISSUED DEC 2018
				REVISION ISSUE 1
				STANDARD DRAWING No B0202