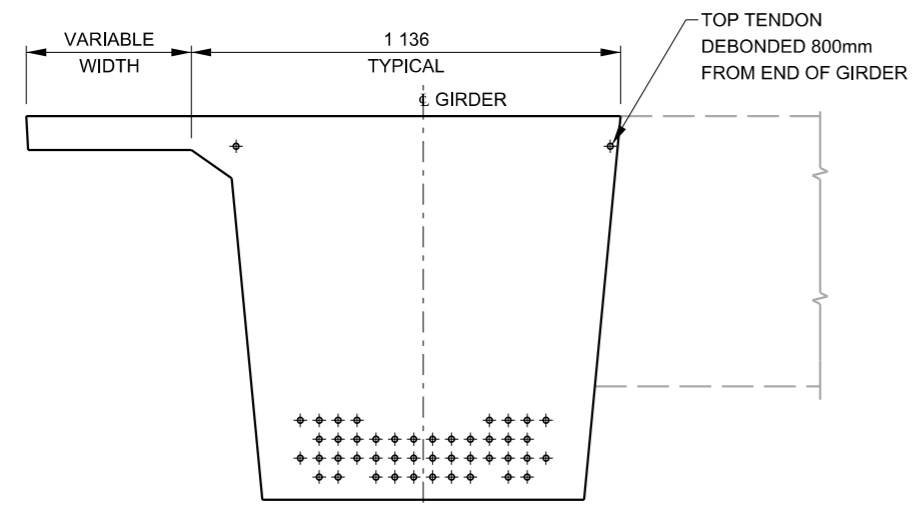


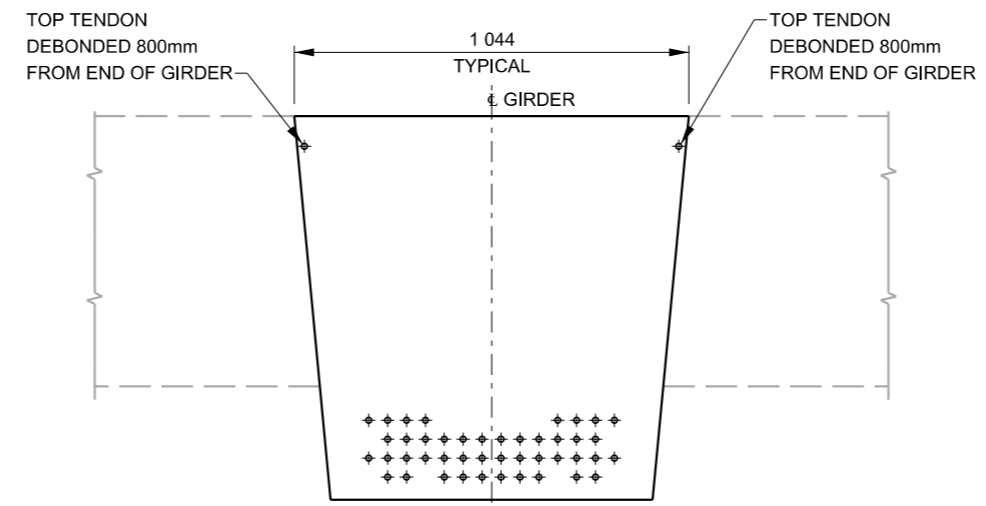
PLAN

PLAN



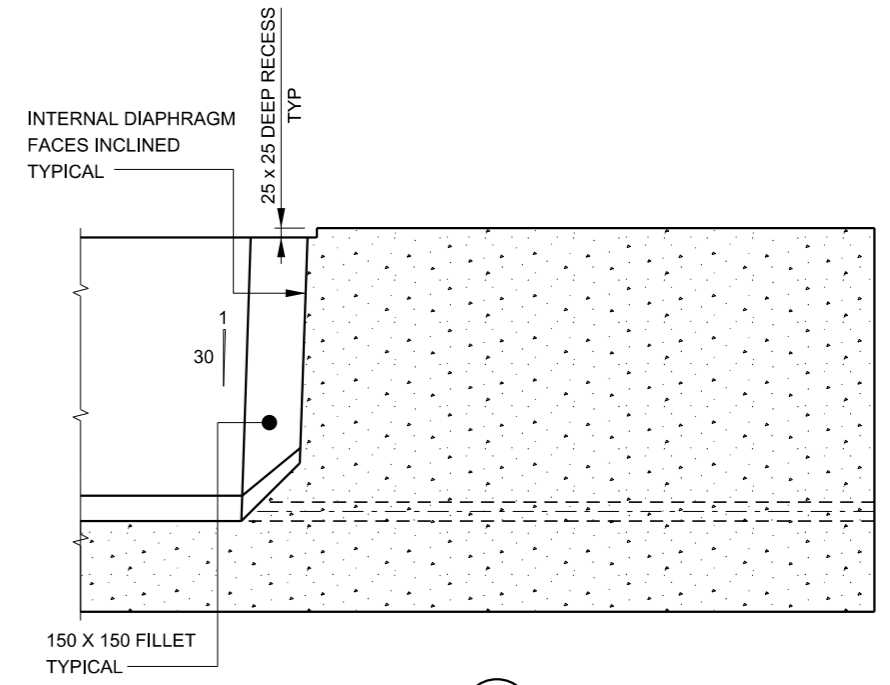
VIEW

END TREATMENT (EDGE GIRDER)



VIEW

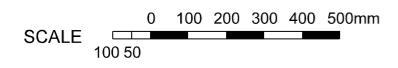
END TREATMENT (INTERIOR GIRDER)



SECTION 1-1

STANDARD GIRDER END TREATMENT

GENERAL NOTES



THIS DRAWING SHALL BE READ IN CONJUNCTION WITH RMS DRAWING No B0201.

APPROVED FOR USE <i>W. Ariyaratne</i> DIRECTOR BRIDGES AND STRUCTURES 21.12.2018 DATE	Transport Roads & Maritime Services SEND FEEDBACK ON THIS STANDARD DRAWING TO: standardbridgedrawings@rms.nsw.gov.au EDMS No DS2017/002808	STANDARD DRAWING SUPER T GIRDER STANDARD END TREATMENT	STATUS ISSUED ISSUE DATE DEC 2018 REVISION ISSUE 1 STANDARD DRAWING No B0204
---	--	---	---