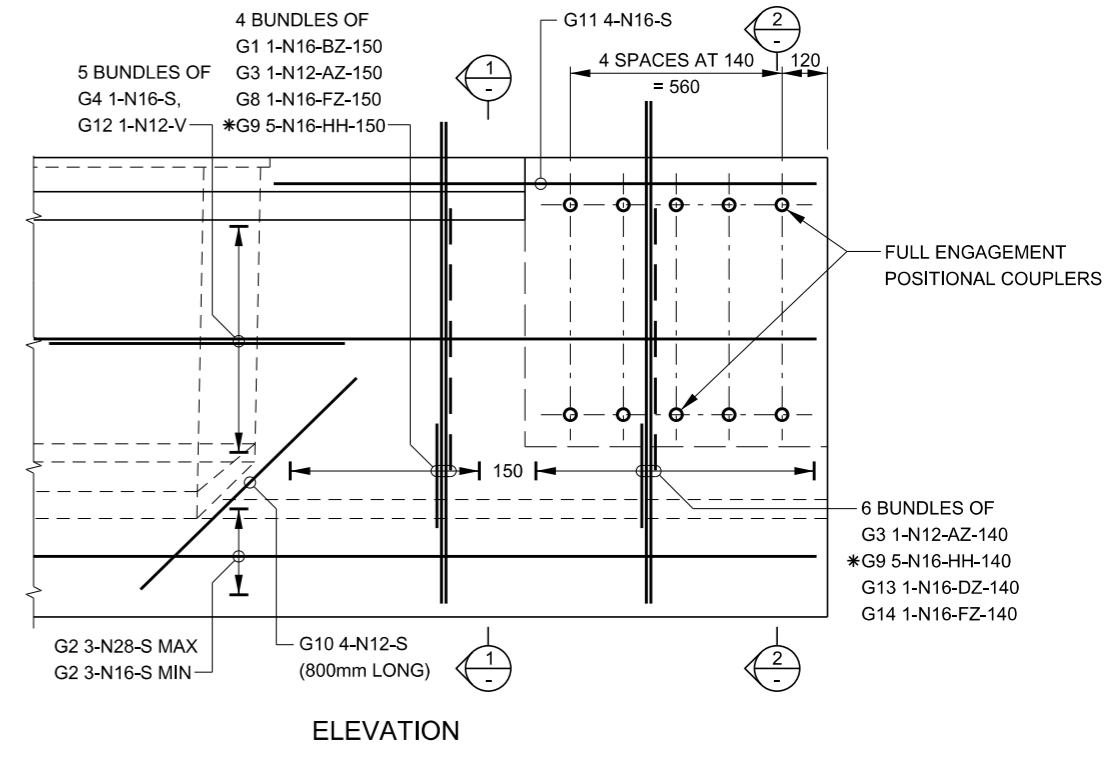
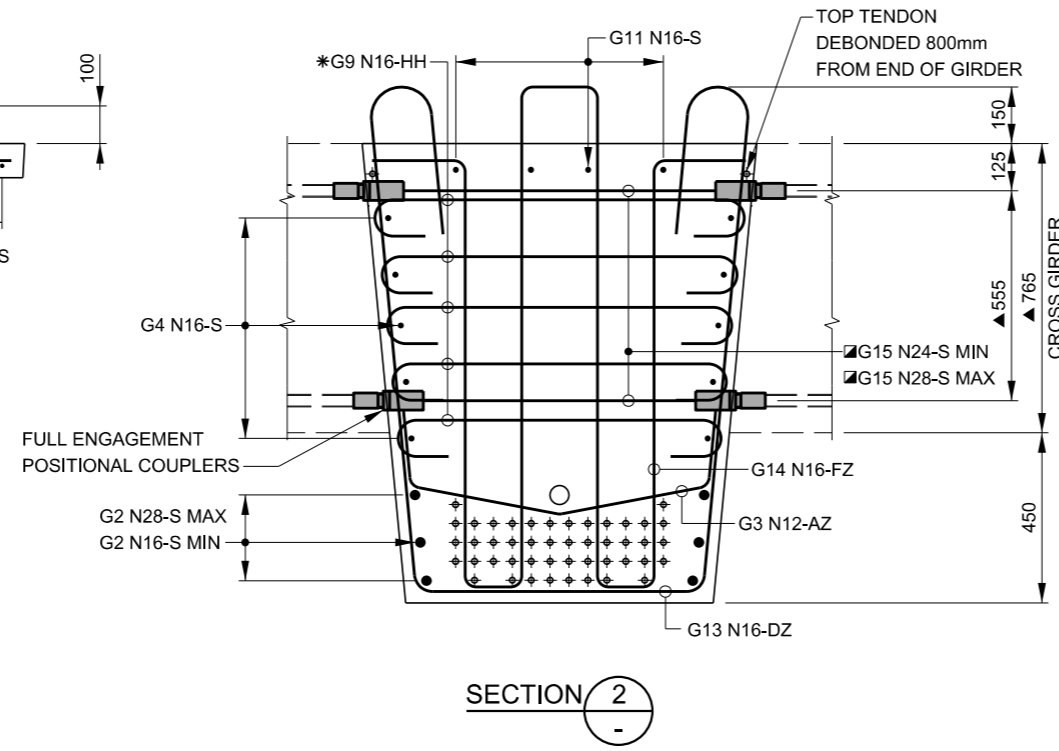
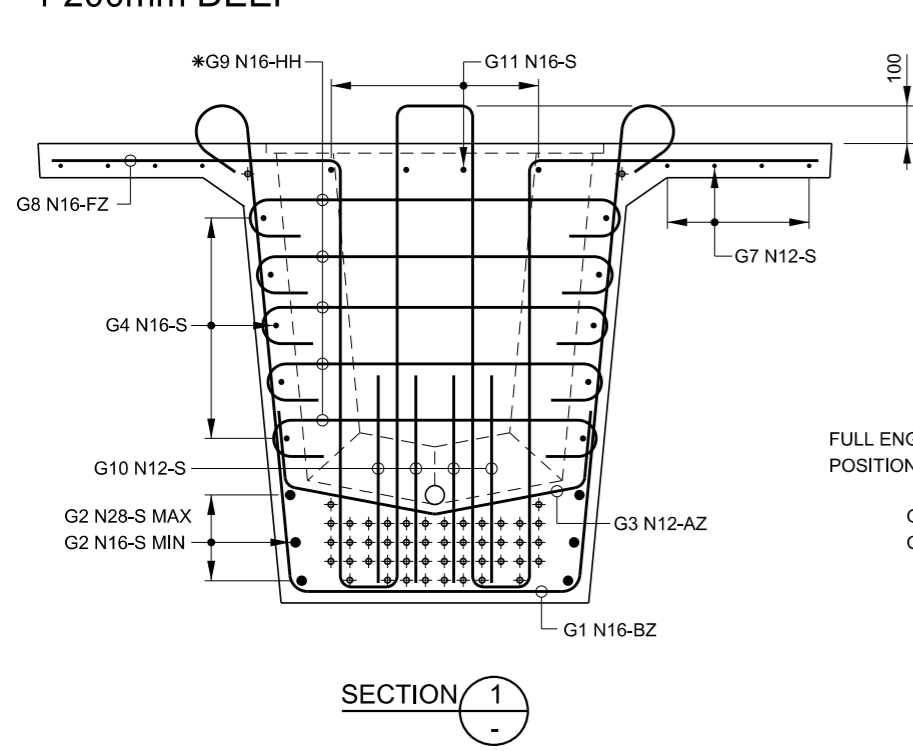


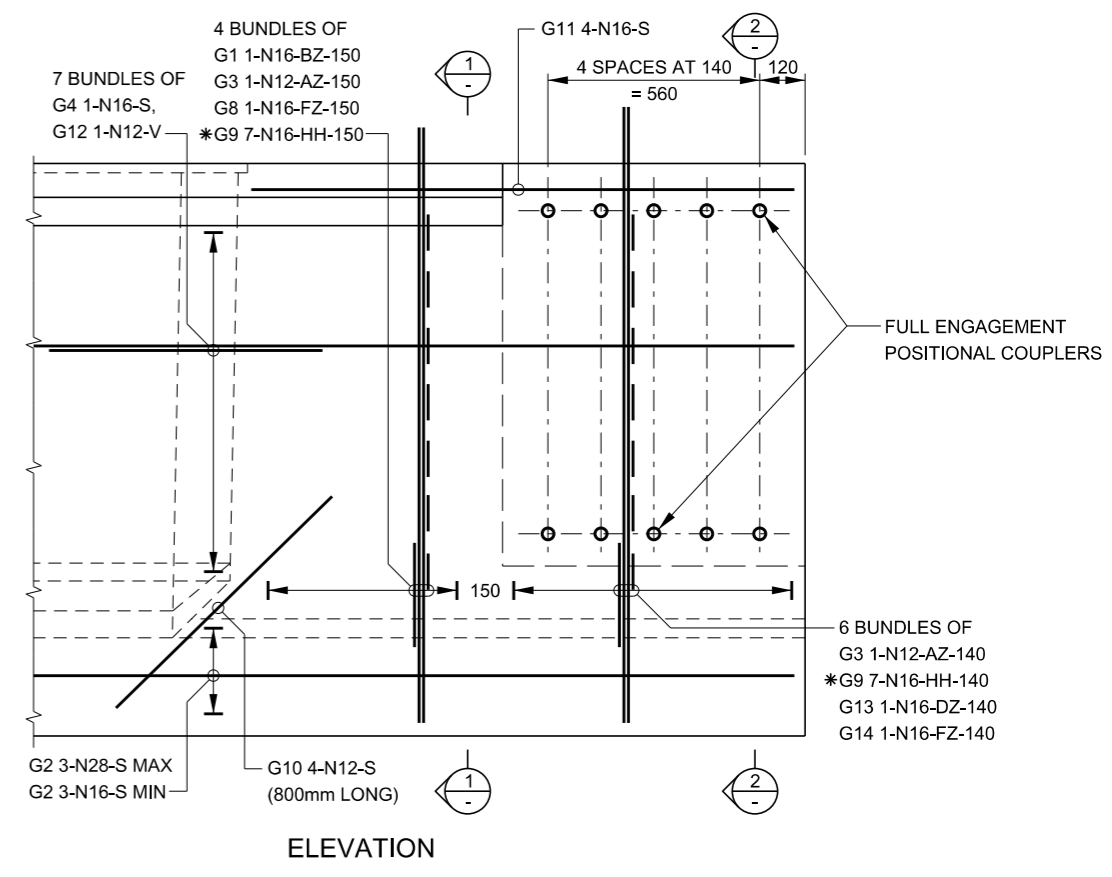
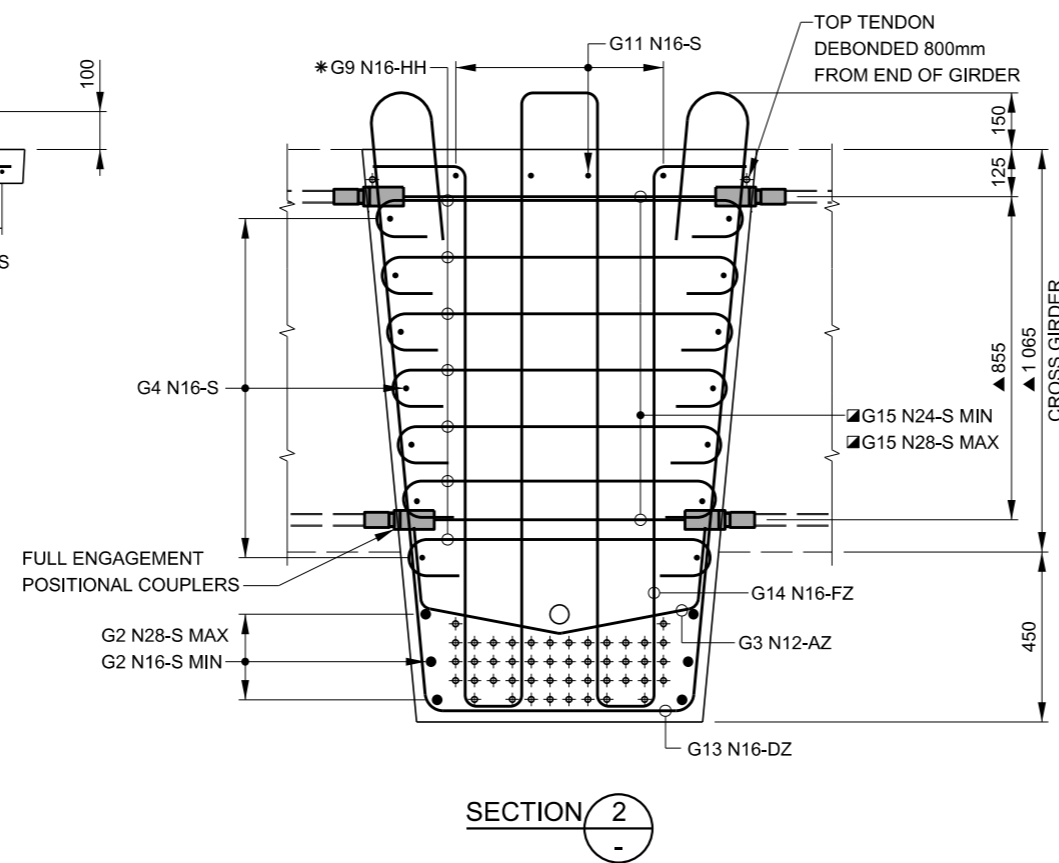
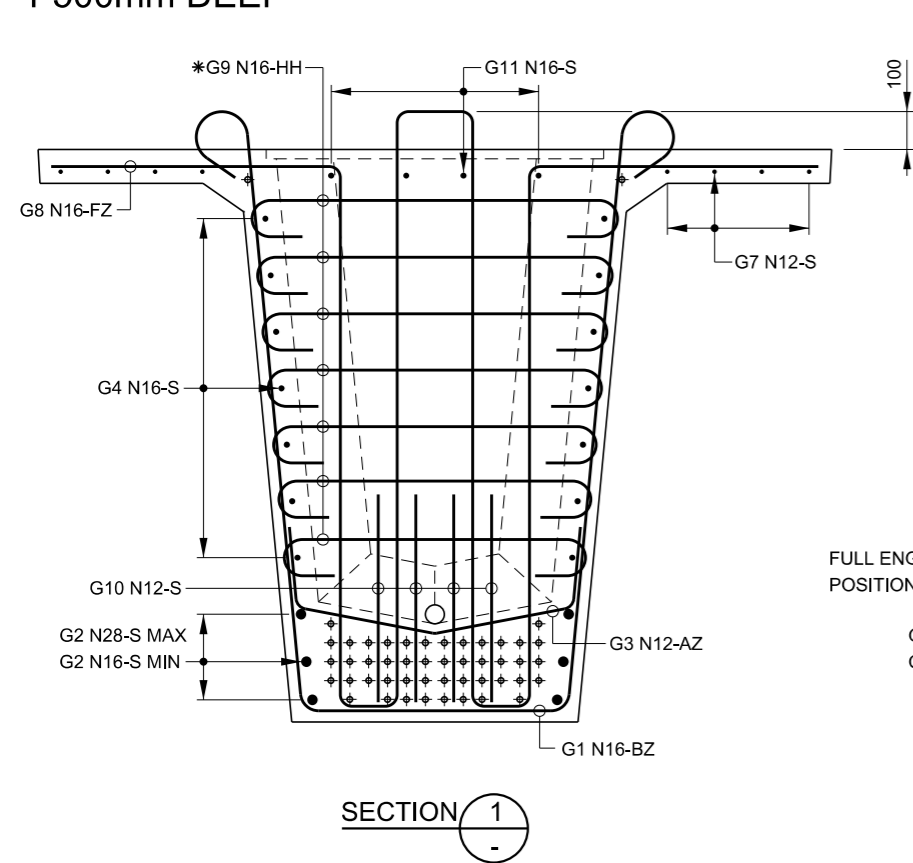
GIRDER TYPE T3

1 200mm DEEP



GIRDER TYPE T1

1 500mm DEEP



GENERAL NOTES

SCALE 0 100 200 300 400 500mm OR AS SHOWN.

THIS DRAWING SHALL BE READ IN CONJUNCTION WITH RMS DRAWING No B0205, B0207 AND B0213. FOR OTHER GENERAL NOTES RELATING TO THIS DRAWING, SEE DRAWING No B0205.

APPROVED FOR USE
W. Ariyaratne
 DIRECTOR BRIDGES AND STRUCTURES
 21.12.2018
 DATE

Transport
**Roads & Maritime
 Services**
 SEND FEEDBACK ON THIS STANDARD
 DRAWING TO:
 standardbridgedrawings@rms.nsw.gov.au
 EDMS No
 DS2017/002810

STANDARD DRAWING
SUPER T GIRDER
BONDED END REINFORCEMENT DETAILS
 SHEET B

STATUS
 ISSUED
 ISSUE DATE
 DEC 2018
 REVISION ISSUE
 1
 STANDARD DRAWING No
 B0206