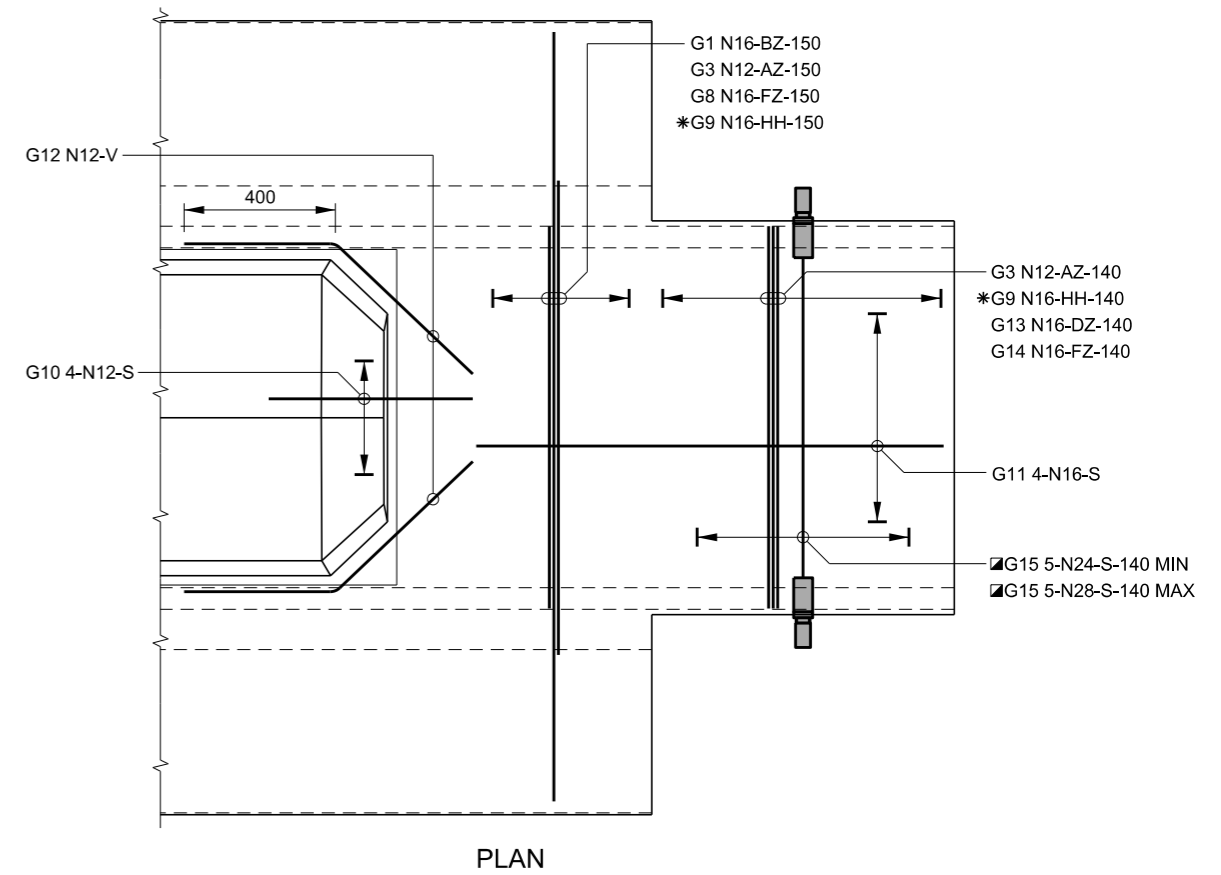
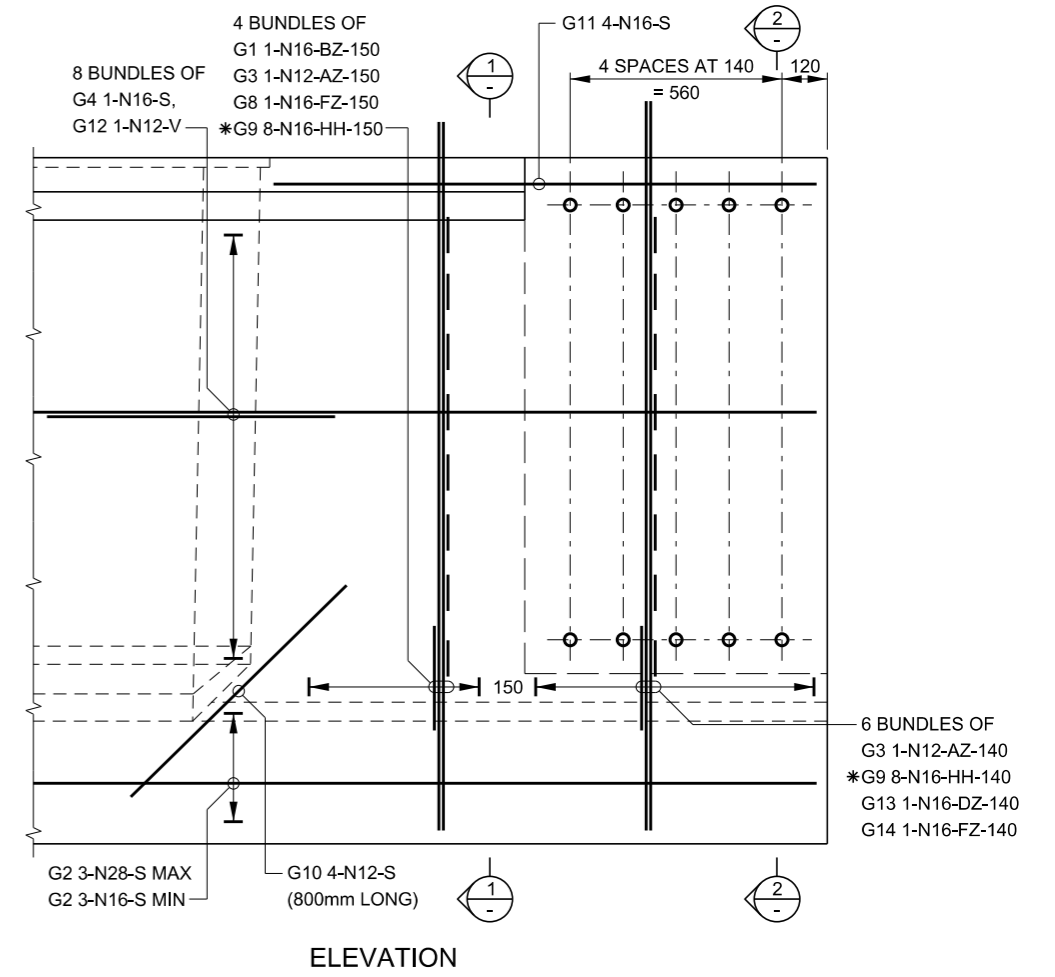
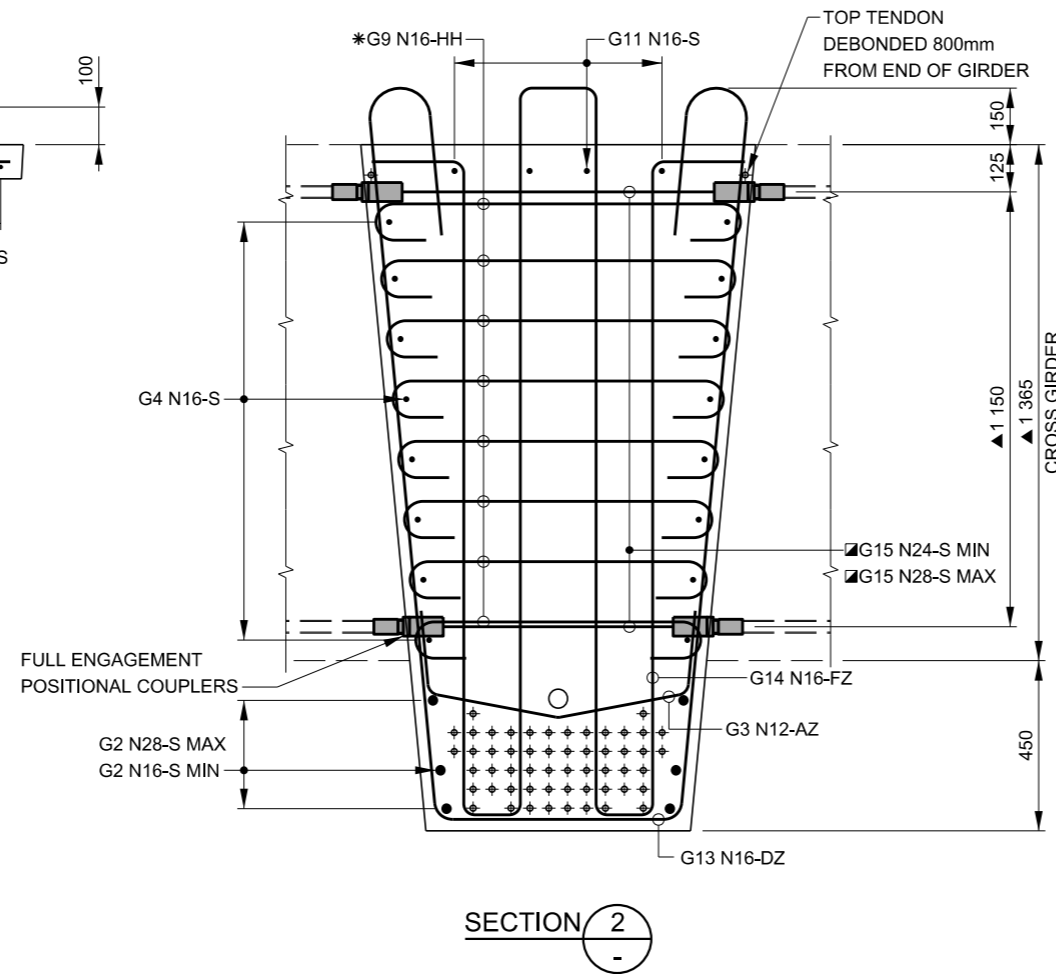
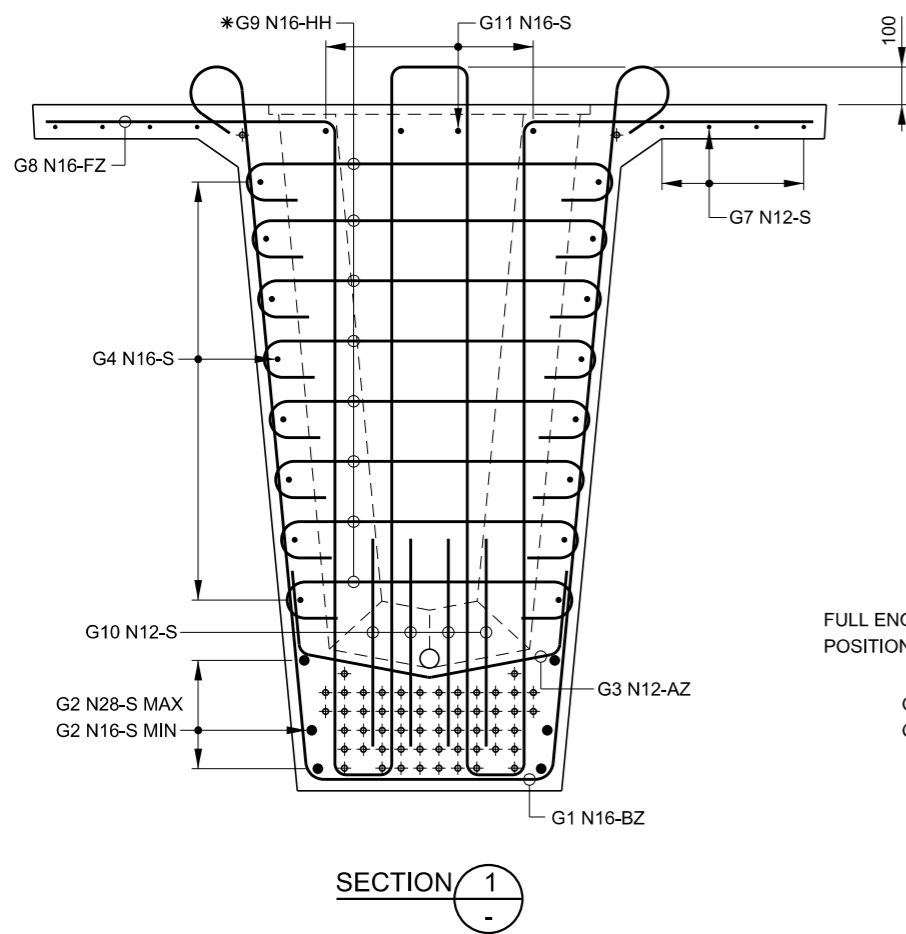


# GIRDER TYPE T1

1 800mm DEEP



## GENERAL NOTES

SCALE 0 100 200 300 400 500mm OR AS SHOWN.

THIS DRAWING SHALL BE READ IN CONJUNCTION WITH RMS DRAWING No B0205, B0206 AND B0213. FOR OTHER GENERAL NOTES RELATING TO THIS DRAWING, SEE DRAWING No B0205.

APPROVED FOR USE <i>W. Ariyaratne</i> DIRECTOR BRIDGES AND STRUCTURES DATE 21.12.2018	NSW GOVERNMENT Transport Roads & Maritime Services SEND FEEDBACK ON THIS STANDARD DRAWING TO: standardbridgedrawings@rms.nsw.gov.au EDMS No DS2017/002811	STANDARD DRAWING SUPER T GIRDER BONDED END REINFORCEMENT DETAILS SHEET C	STATUS ISSUED ISSUE DATE DEC 2018 REVISION ISSUE 1 STANDARD DRAWING No B0207
--	--	---	---