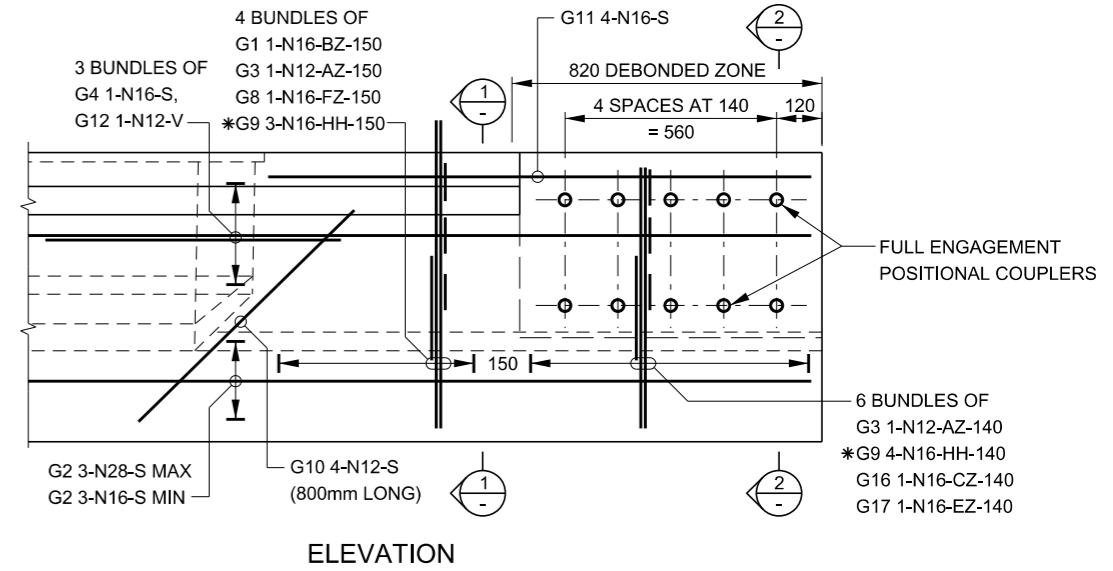
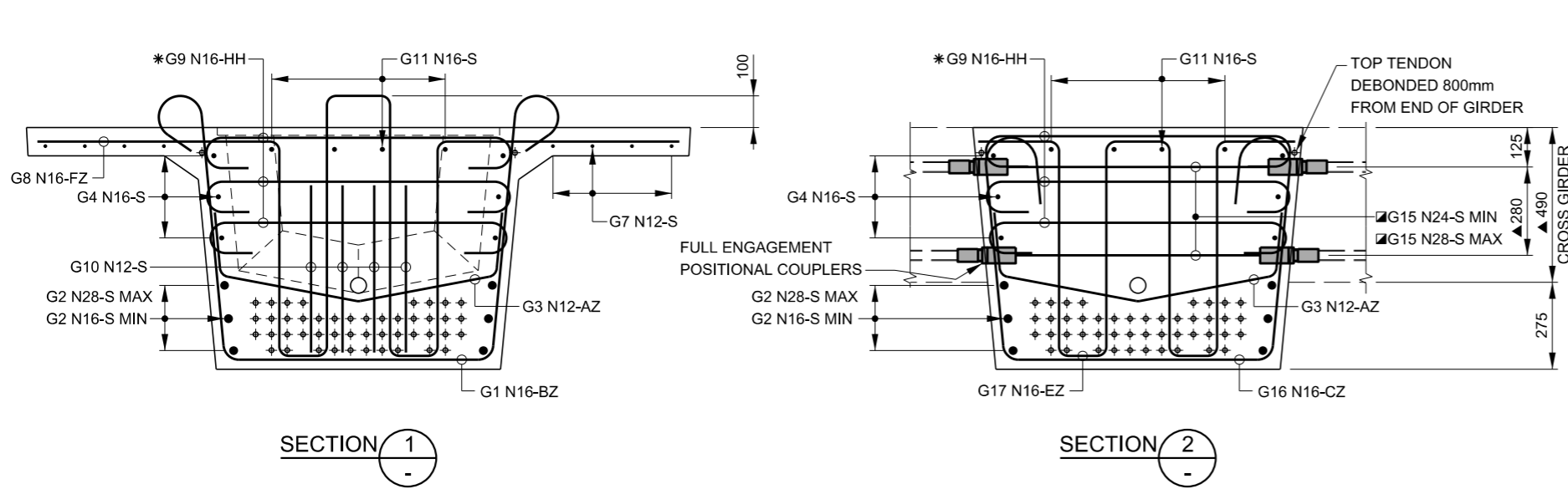
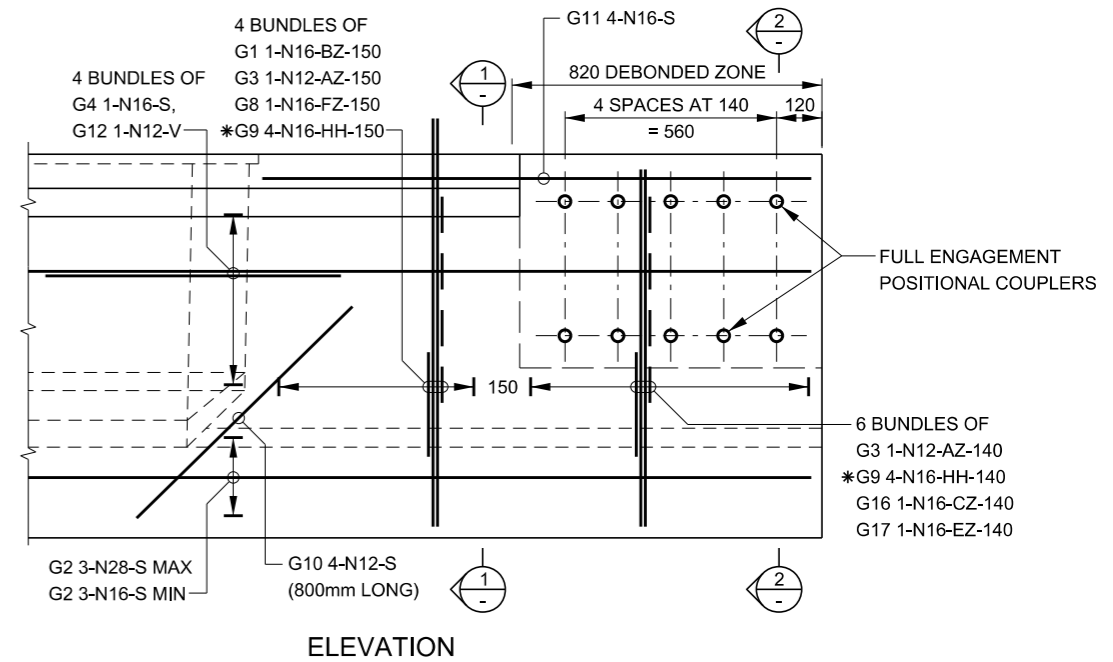
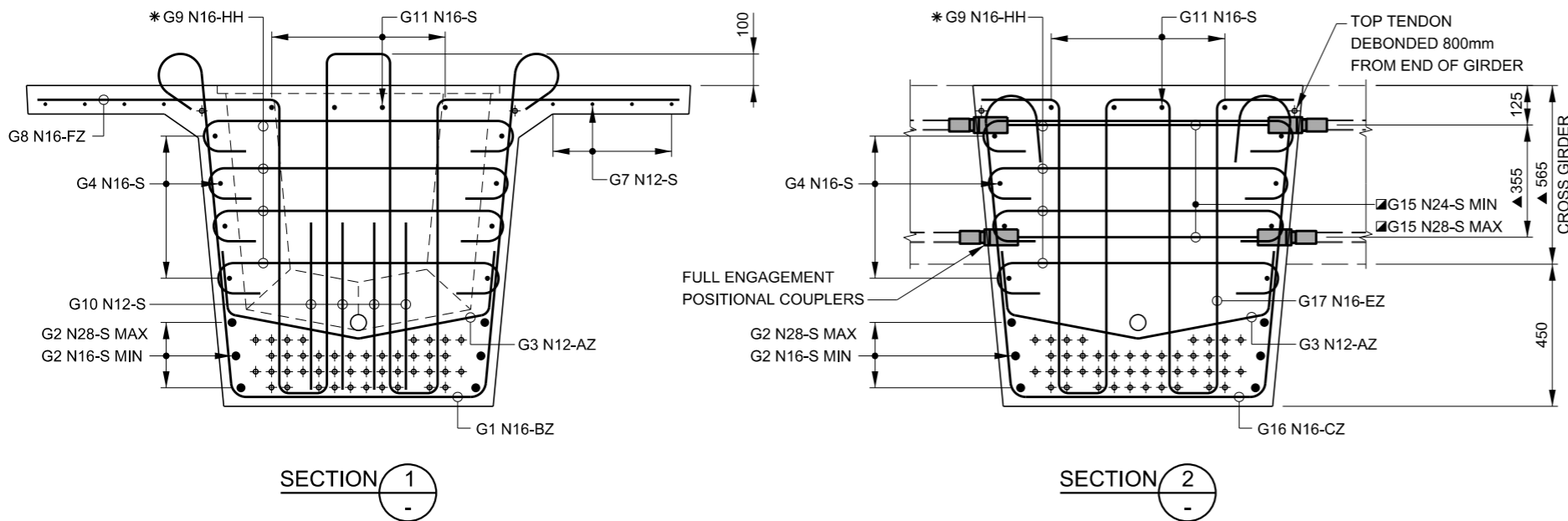


GIRDER TYPE T1 750mm DEEP



GIRDER TYPE T2 1 000mm DEEP



GENERAL NOTES

SCALE 0 100 200 300 400 500mm
100 50 OR AS SHOWN.

THIS DRAWING SHALL BE READ IN CONJUNCTION WITH RMS DRAWING No B0209, B0210 AND B0213.

▲ DENOTES DIMENSION/SIZE GENERALLY SUITABLE BUT CONFIRMATION REQUIRED BY THE DESIGNER (IF THIS DIMENSION/SIZE IS ALTERED OTHER DIMENSIONS MAY CHANGE).

* DENOTES VARIABLE LENGTH BAR.

■ DENOTES COUPLED BAR.

WHERE BAR SIZES HAVE BEEN SHOWN WITH THE WORDS MAX AND MIN BESIDE THEM, THE DESIGNER SHALL PROVIDE DETAILS OF BAR SIZE TO BE USED IN THE DESIGN OF THE GIRDER AND THESE SIZES SHALL BE SHOWN ON THE DESIGN DRAWINGS. DESIGN DRAWINGS SHALL BE PREPARED IN ACCORDANCE WITH, CONCRETE REINFORCEMENT DETAILING SECTION OF THE RMS STRUCTURAL DRAFTING AND DETAILING MANUAL.

ACTUAL BAR MARKING OF REINFORCEMENT, BAR DIAMETER AND BAR SHAPES SHOWN HERE SHALL BE FOLLOWED WHERE POSSIBLE FOR CONSISTENCY.

APPROVED FOR USE <i>W. Ariyaratne</i> DIRECTOR BRIDGES AND STRUCTURES 21.12.2018 DATE	Transport Roads & Maritime Services SEND FEEDBACK ON THIS STANDARD DRAWING TO: standardbridgedrawings@rms.nsw.gov.au EDMS No DS2017/002812	STANDARD DRAWING SUPER T GIRDER DEBONDED END REINFORCEMENT DETAILS SHEET A	STATUS ISSUED ISSUE DATE DEC 2018 REVISION ISSUE 1 STANDARD DRAWING No B0208
---	---	---	---