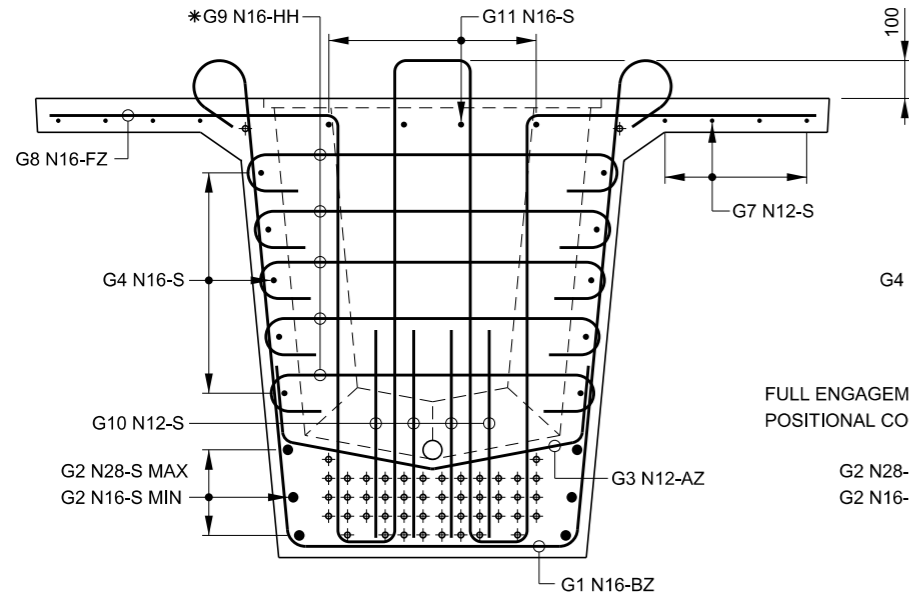
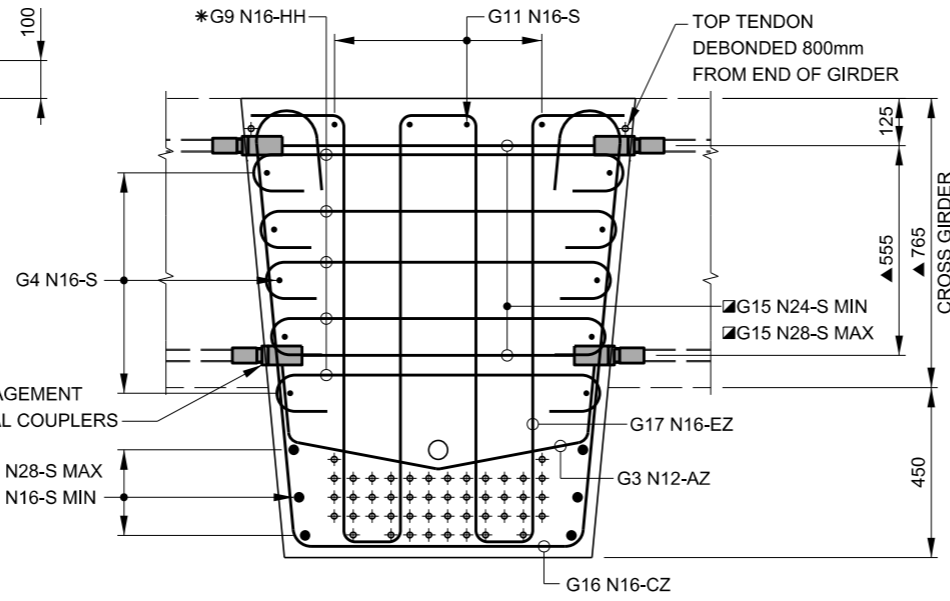


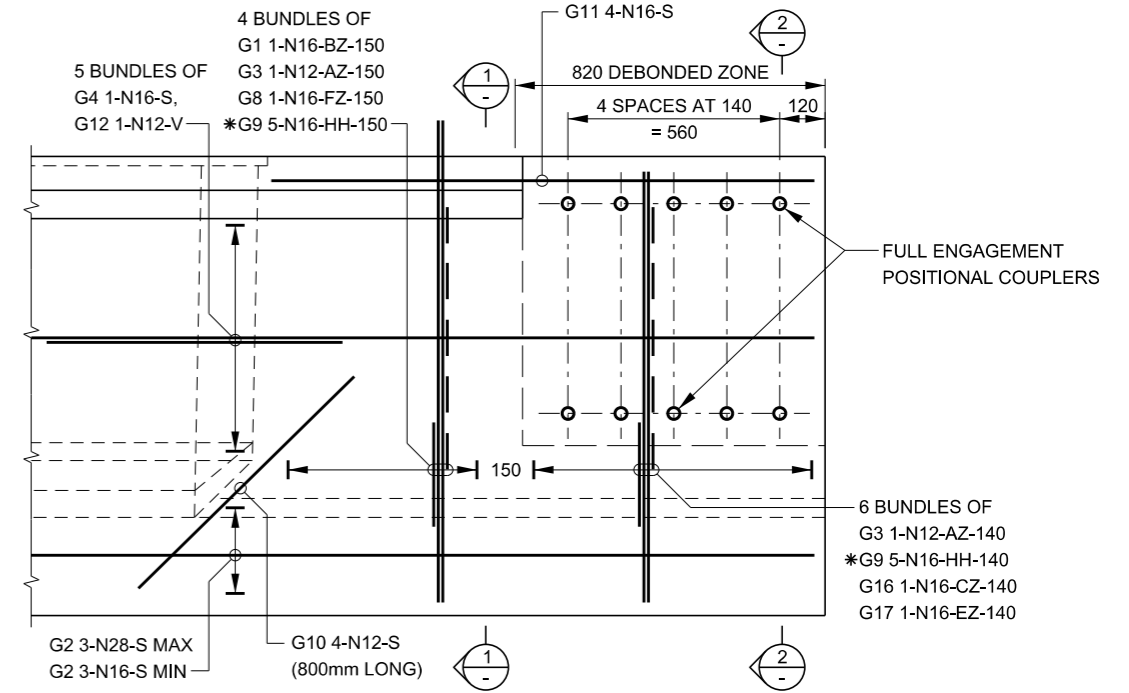
GIRDER TYPE T3
1 200mm DEEP



SECTION 1

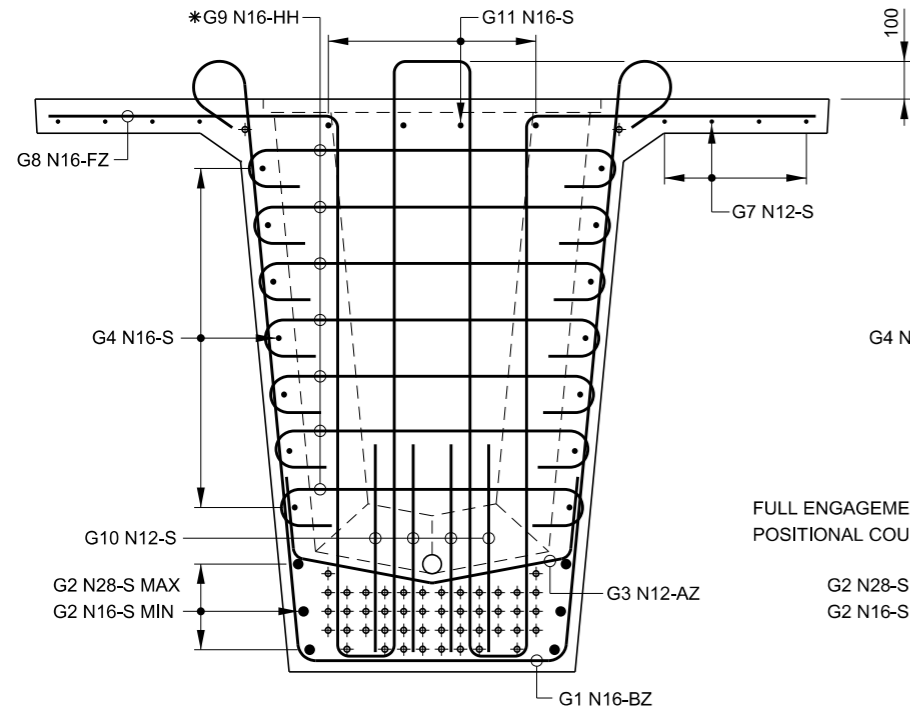


SECTION 2

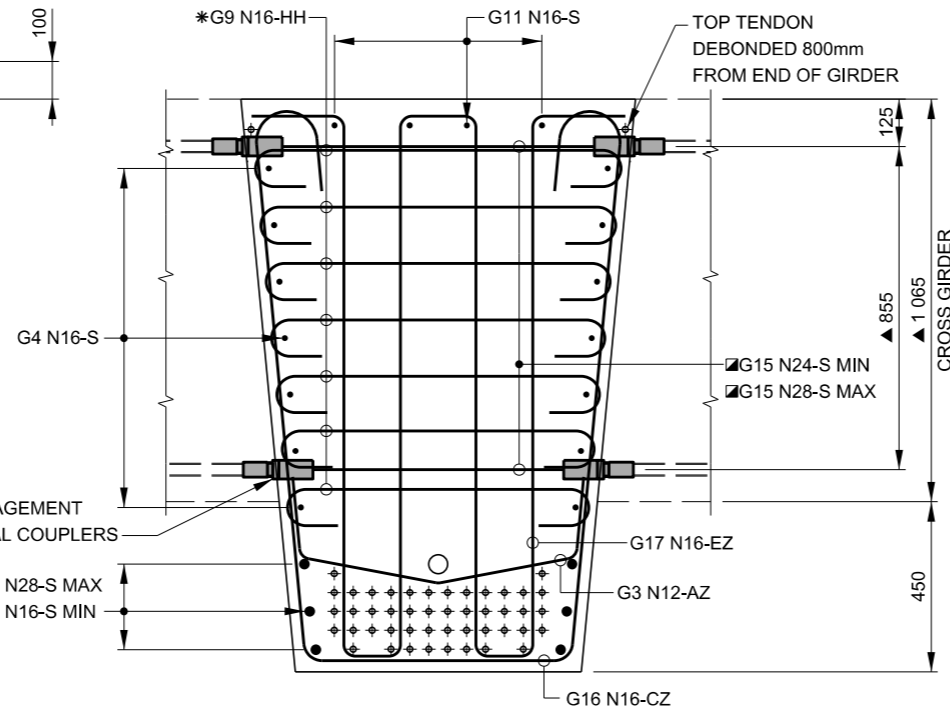


ELEVATION

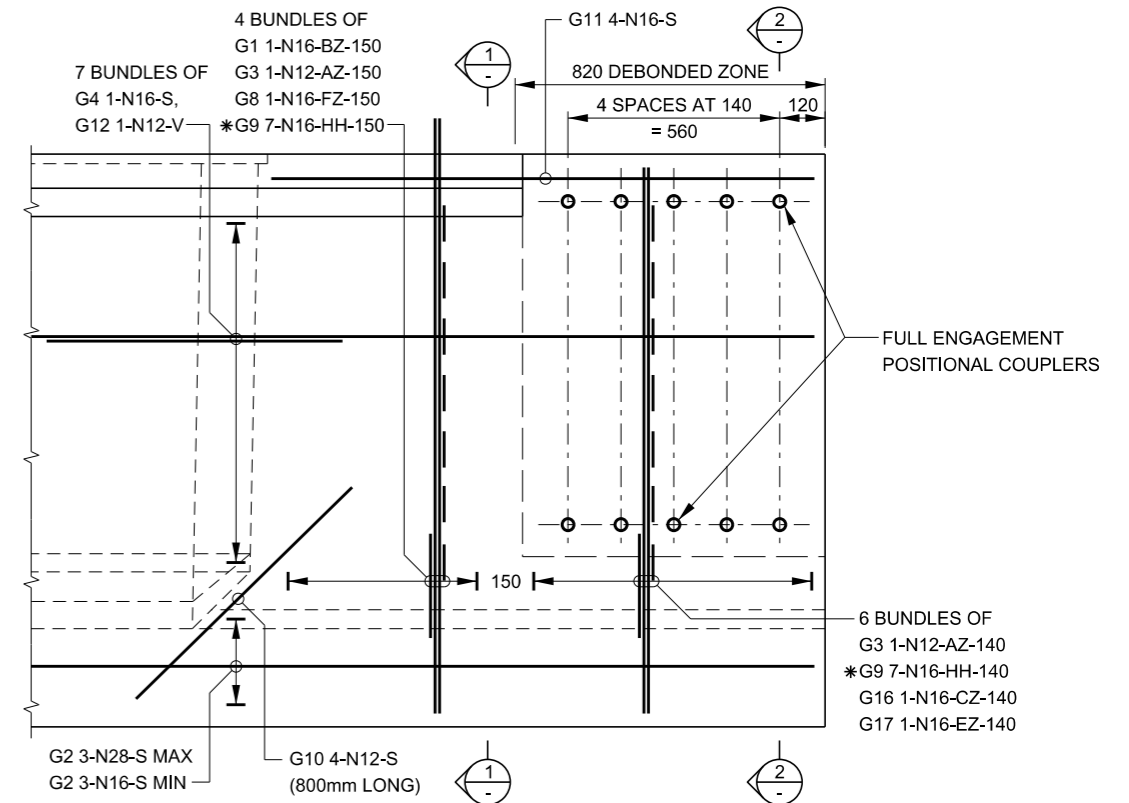
GIRDER TYPE T1
1 500mm DEEP



SECTION 1



SECTION 2



ELEVATION

GENERAL NOTES

SCALE 0 100 200 300 400 500mm OR AS SHOWN.
100 50

THIS DRAWING SHALL BE READ IN CONJUNCTION WITH RMS DRAWING No B0208, B0210 AND B0213.
FOR OTHER GENERAL NOTES RELATING TO THIS DRAWING, SEE DRAWING No B0208.

APPROVED FOR USE

W. Ariyaratne
DIRECTOR BRIDGES AND STRUCTURES

21.12.2018
DATE

Transport
Roads & Maritime
Services

SEND FEEDBACK ON THIS STANDARD
DRAWING TO:
standardbridgedrawings@rms.nsw.gov.au

EDMS No
DS2017/002813

STANDARD DRAWING
SUPER T GIRDER
DEBONDED END REINFORCEMENT DETAILS
SHEET B

STATUS
ISSUED
ISSUE DATE
DEC 2018
REVISION ISSUE
1
STANDARD DRAWING No
B0209