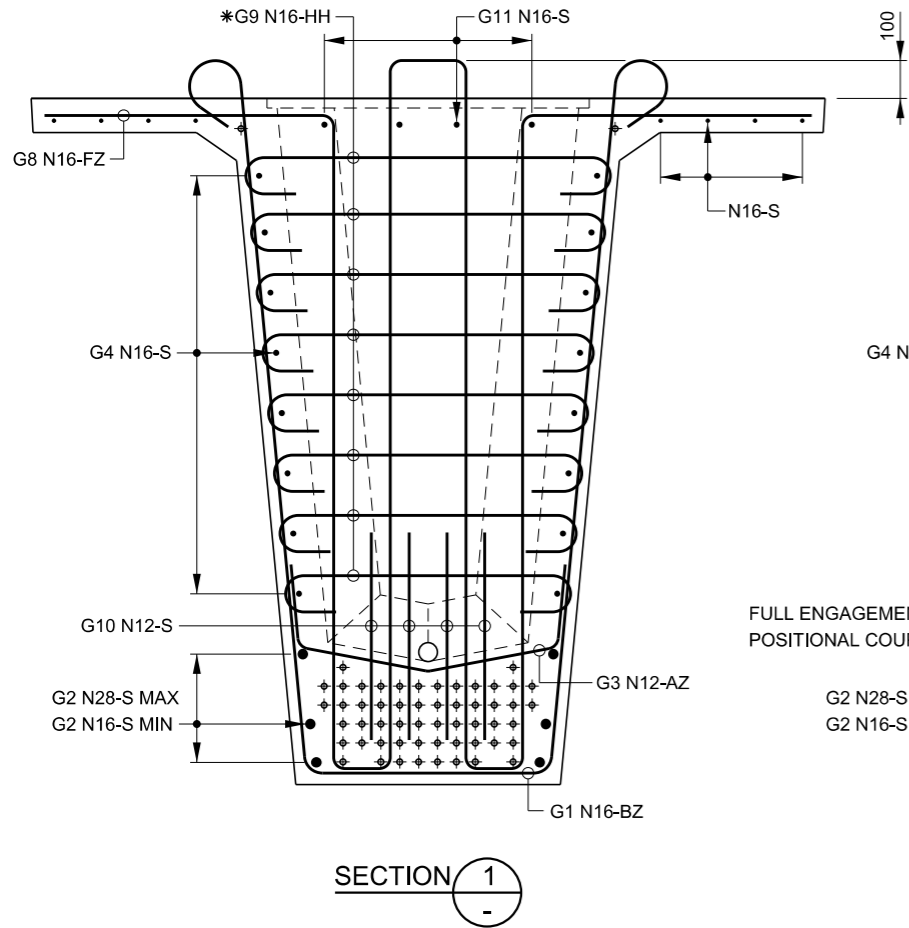
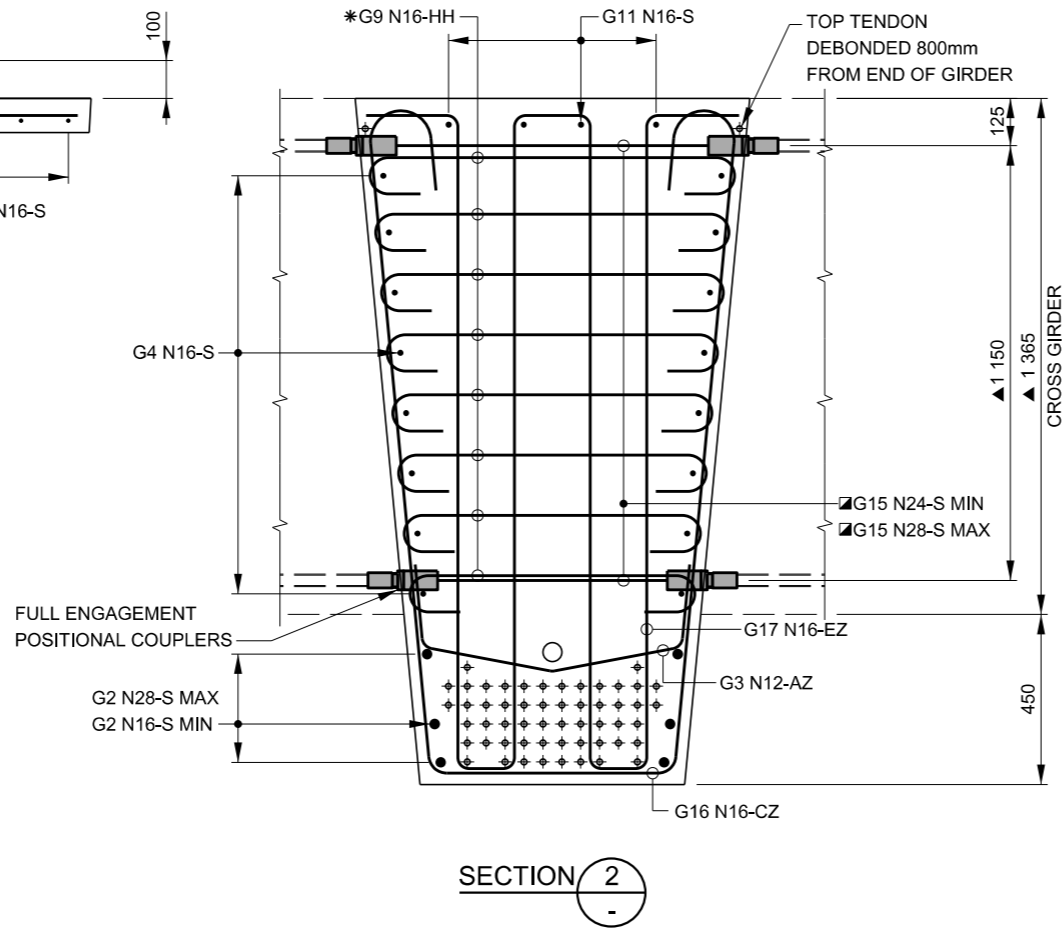


GIRDER TYPE T1

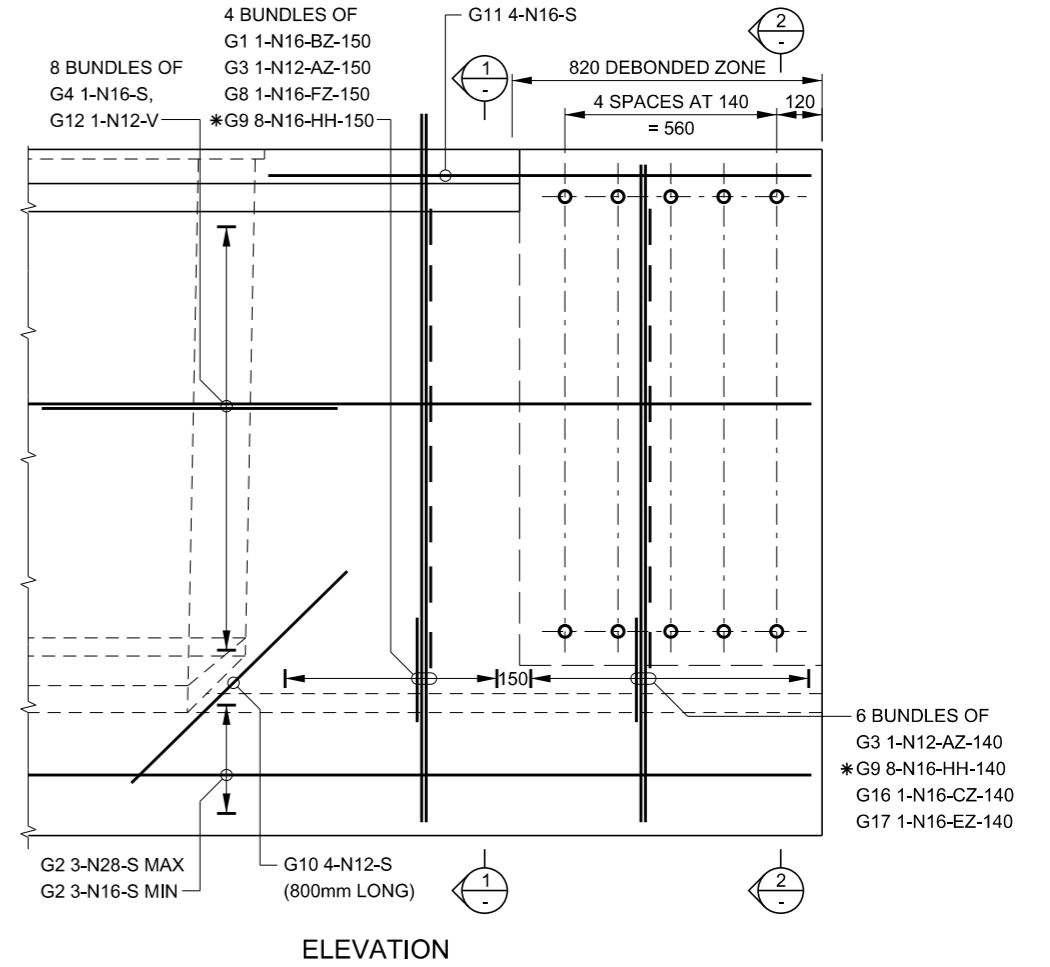
1 800mm DEEP



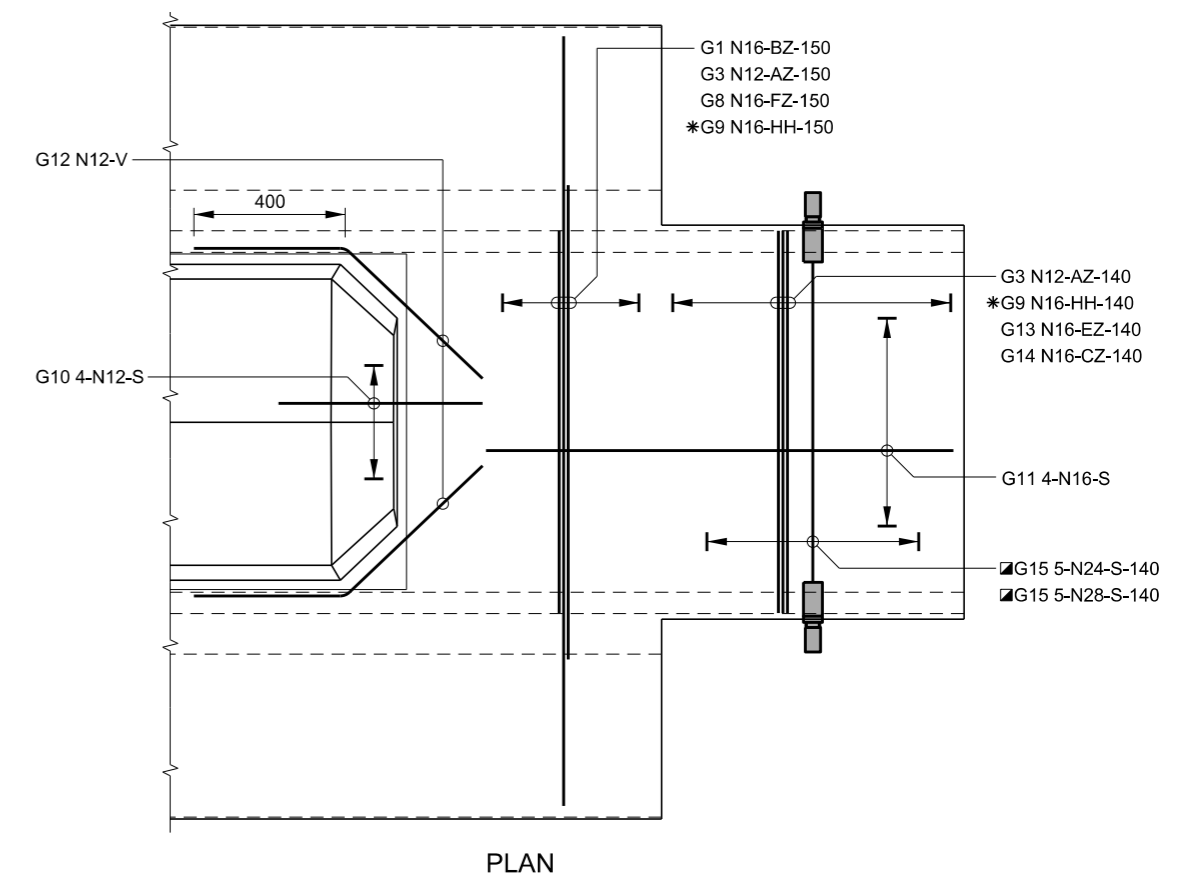
SECTION 1



SECTION 2



ELEVATION



PLAN

GENERAL NOTES

SCALE 0 100 200 300 400 500mm OR AS SHOWN.

THIS DRAWING SHALL BE READ IN CONJUNCTION WITH RMS DRAWING No B0208, B0209 AND B0213. FOR OTHER GENERAL NOTES RELATING TO THIS DRAWING, SEE DRAWING No B0208.

APPROVED FOR USE	 Transport Roads & Maritime Services	STANDARD DRAWING	STATUS
 DIRECTOR BRIDGES AND STRUCTURES		SUPER T GIRDER DEBONDED END REINFORCEMENT DETAILS SHEET C	ISSUED
SEND FEEDBACK ON THIS STANDARD DRAWING TO: standardbridgedrawings@rms.nsw.gov.au	EDMS No DS2017/002814		ISSUE DATE DEC 2018
21.12.2018 DATE			REVISION ISSUE 1
			STANDARD DRAWING No B0210