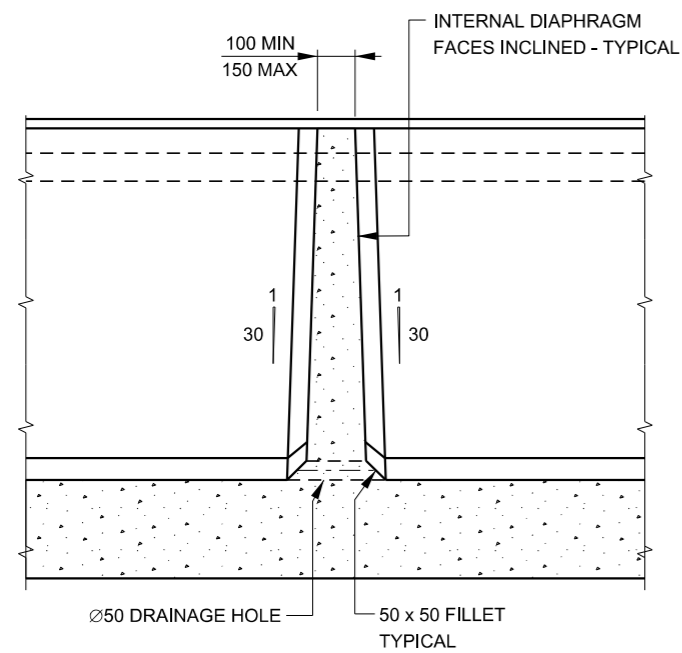
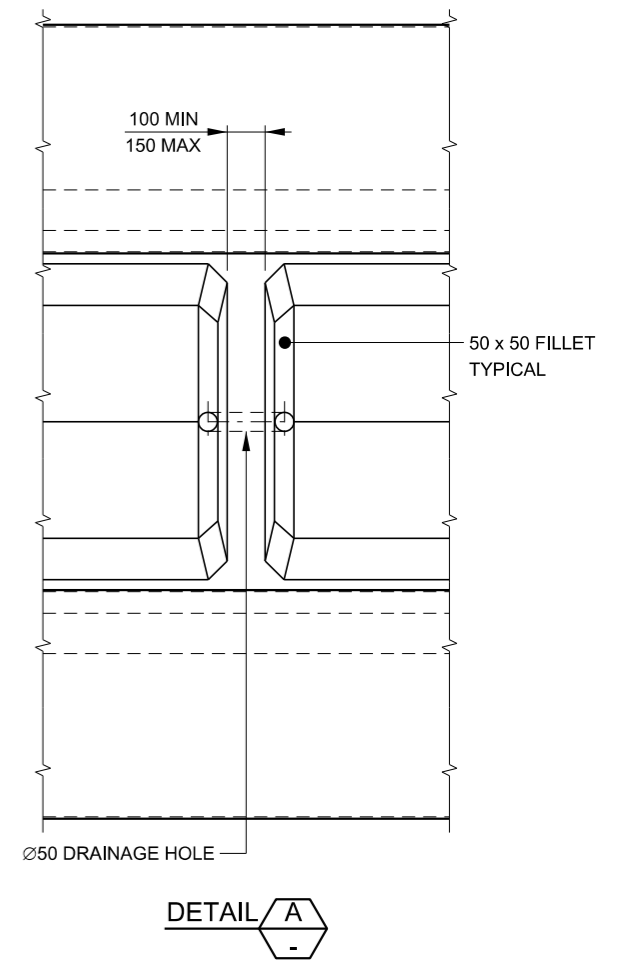
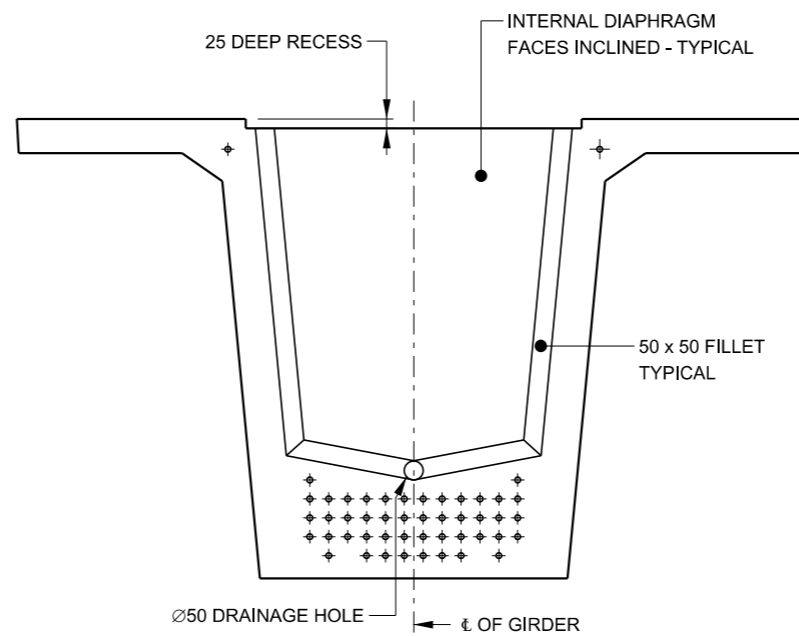


PLAN
INTERMEDIATE DIAPHRAGM LOCATIONS

'n' DENOTES NUMERICAL VALUE TO SUIT LENGTH OF GIRDER
 Ø DENOTES LENGTHS OF INTERNAL FORMS SHALL BE DETERMINED
 BY THE MANUFACTURER IN THE CASTING YARD



TYPICAL INTERNAL DIAPHRAGM DETAIL



SECTION 1

GENERAL NOTES

SCALE 0 100 200 300 400 500mm OR AS SHOWN.
 100 50

THIS DRAWING SHALL BE READ IN CONJUNCTION WITH RMS DRAWING No B0201.

APPROVED FOR USE

W. Ariyaratne
 DIRECTOR BRIDGES AND STRUCTURES

21.12.2018
 DATE



Transport
**Roads & Maritime
 Services**

SEND FEEDBACK ON THIS STANDARD
 DRAWING TO:

standardbridgedrawings@rms.nsw.gov.au

EDMS No
 DS2017/002815

A1

STANDARD DRAWING

SUPER T GIRDER
 INTERMEDIATE DIAPHRAGM
 CONCRETE DETAILS

STATUS
 ISSUED

ISSUE DATE
 DEC 2018

REVISION ISSUE
 1

STANDARD DRAWING No

B0211