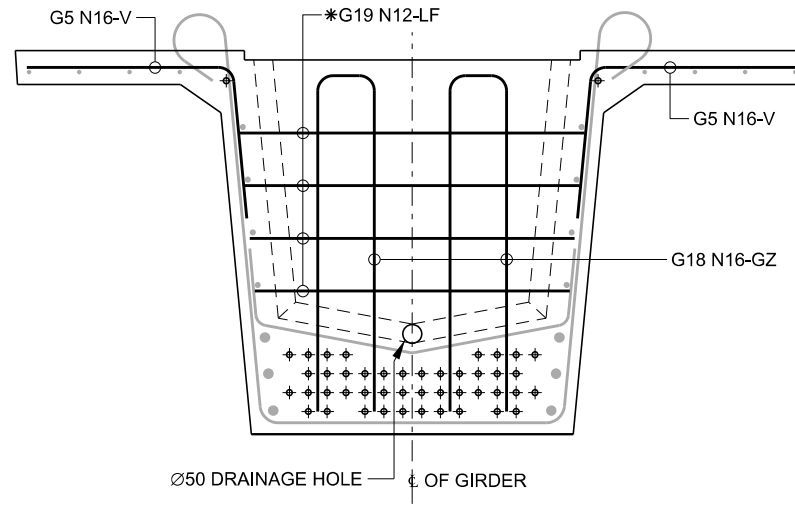
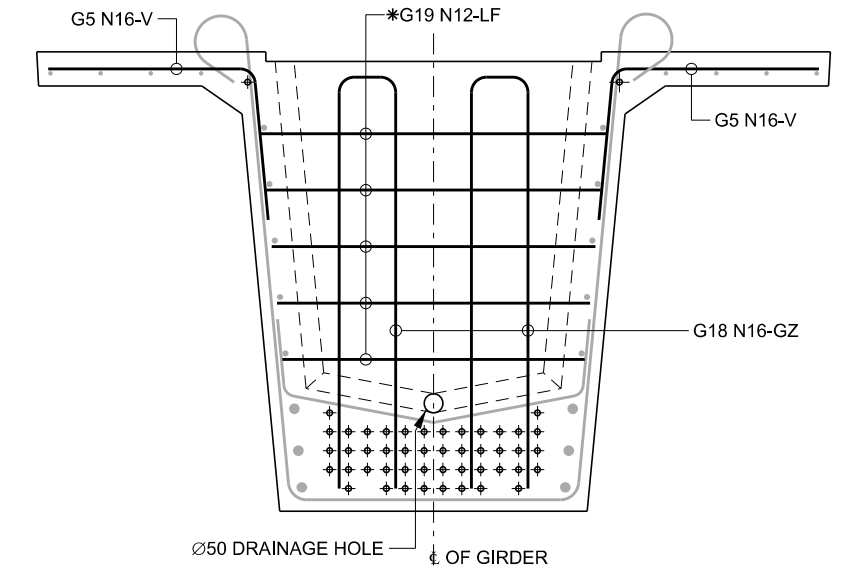


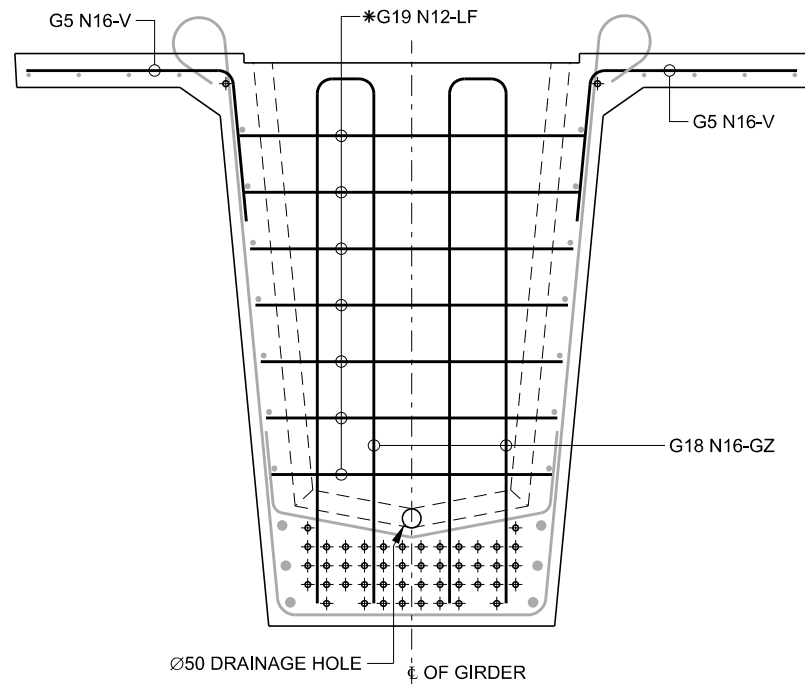
SECTION 1
GIRDER TYPE T1
750mm DEEP



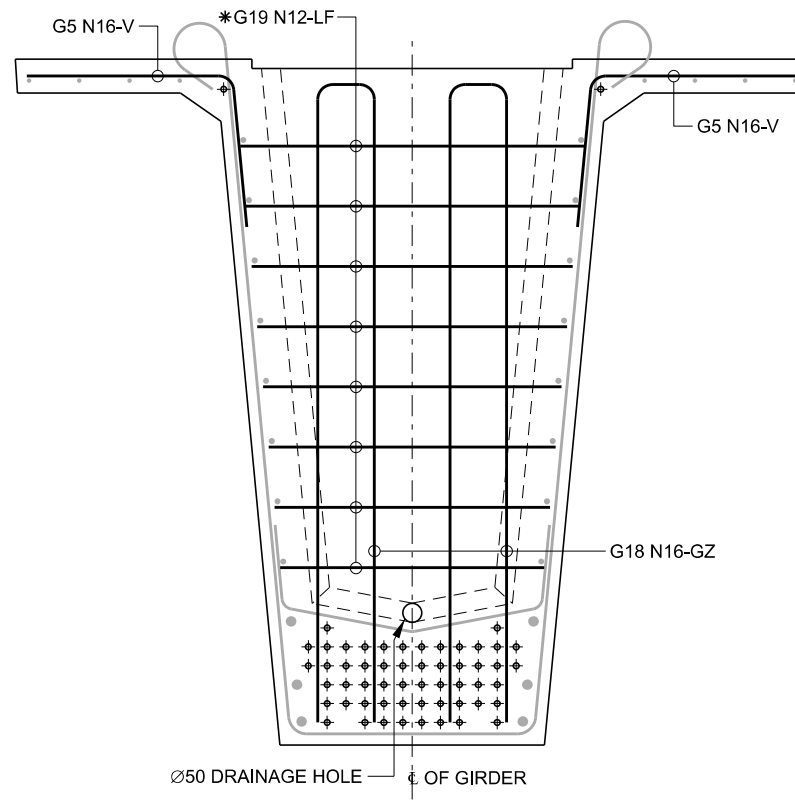
SECTION 1
GIRDER TYPE T2
1 000mm DEEP



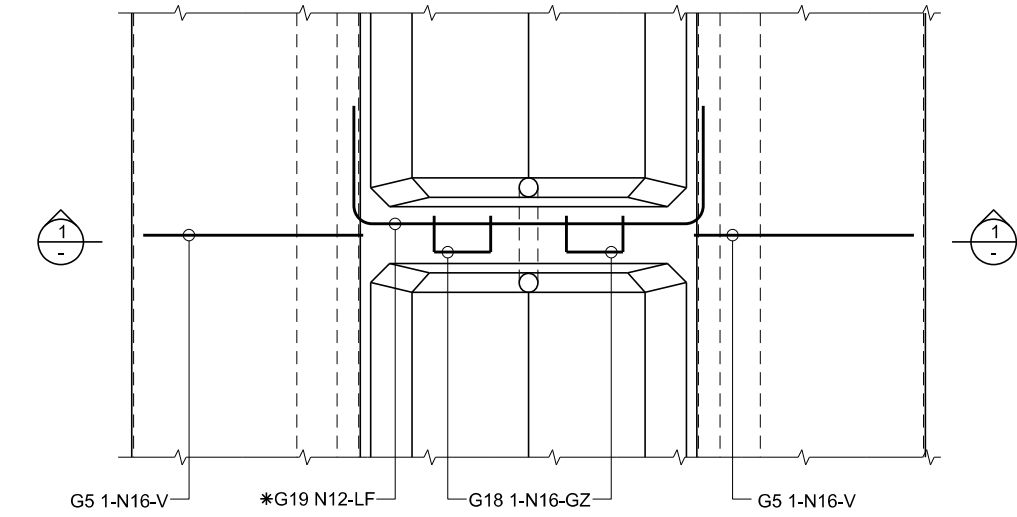
SECTION 1
GIRDER TYPE T3
1 200mm DEEP



SECTION 1
GIRDER TYPE T4
1 500mm DEEP



SECTION 1
GIRDER TYPE T5
1 800mm DEEP



PLAN
REINFORCEMENT AT INTERMEDIATE DIAPHRAGM FILLETS NOT REQUIRED

GENERAL NOTES

SCALE 0 100 200 300 400 500mm OR AS SHOWN.
100 50

THIS DRAWING SHALL BE READ IN CONJUNCTION WITH RMS DRAWING No B0202, B0203 AND B0213.

*DENOTES VARIABLE LENGTH BAR.

APPROVED FOR USE <i>W. Ariyaratne</i> DIRECTOR BRIDGES AND STRUCTURES 21.12.2018 DATE	NSW GOVERNMENT Transport Roads & Maritime Services SEND FEEDBACK ON THIS STANDARD DRAWING TO: standardbridgedrawings@rms.nsw.gov.au EDMS No DS2017/002816	STANDARD DRAWING SUPER T GIRDER INTERMEDIATE DIAPHRAGM REINFORCEMENT DETAILS	STATUS ISSUED ISSUE DATE DEC 2018 REVISION ISSUE 1 STANDARD DRAWING No B0212
---	---	---	---