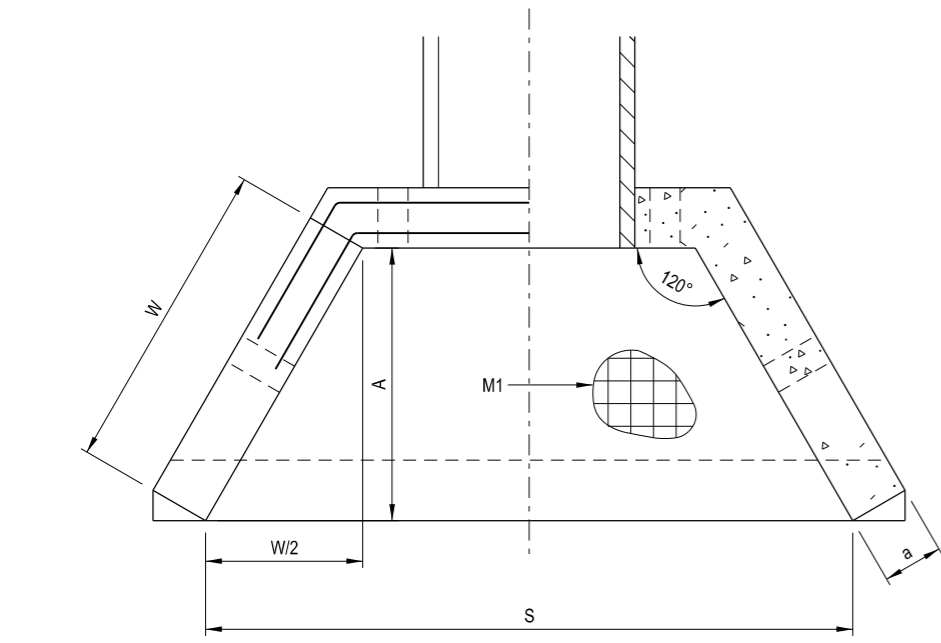
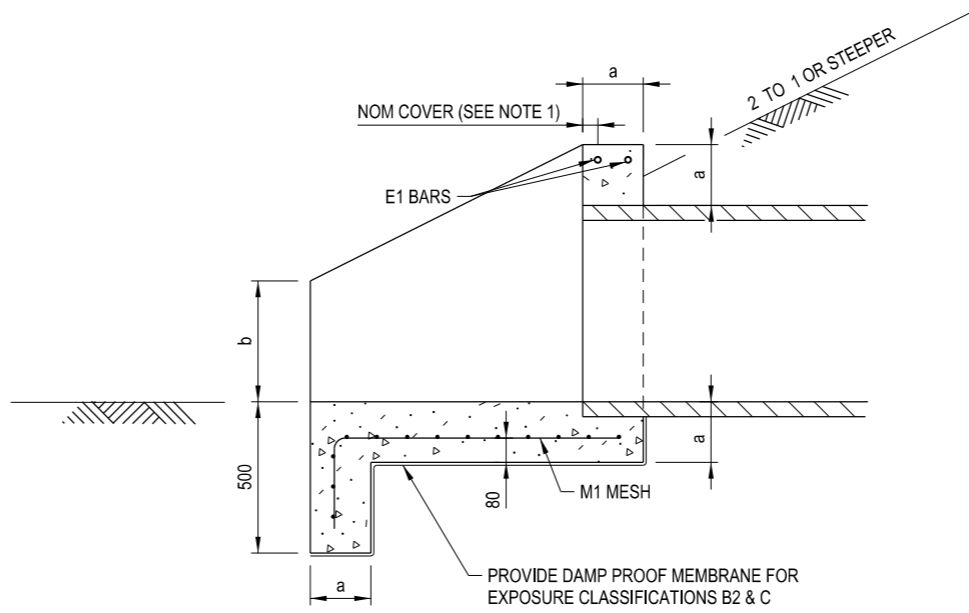


ELEVATION



SECTION 1  
NOT TO SCALE



SECTION 2  
NOT TO SCALE

DIMENSIONS			300	375	450	525	600	750	900
D	NOMINAL PIPE DIAMETER	(mm)	300	375	450	525	600	750	900
A	APRON DEPTH	(mm)	270	415	590	735	900	1 210	1 540
C	HEADWALL LENGTH	(mm)	770	850	940	1 020	1 100	1 270	1 450
S	APRON WIDTH	(mm)	1 080	1 330	1 620	1 870	2 140	2 670	3 230
W	WINGWALL LENGTH	(mm)	310	480	680	850	1 040	1 400	1 780
a		(mm)	150	150	150	150	150	150	150
b		(mm)	300	300	300	300	400	400	400

QUANTITIES IN 2 HEADWALLS			300	375	450	525	600	750	900
E1 BAR Ø12 mm	L1	(mm)	885	965	1 055	1 135	1 215	1 385	1 565
	L2	(mm)	200	200	200	200	600	600	600
	No. REQ	(mm)	4	4	4	4	4	4	4
	LENGTH	(mm)	5 140	5 460	5 820	6 140	9 660	10 340	11 060
M1 MESH	MARK		SL81	SL81	SL81	SL81	SL81	SL81	SL81
	L1	(mm)	1 260	1 510	1 800	2 050	2 320	2 850	3 410
	L2	(mm)	610	755	930	1 075	1 240	1 550	1 880
	L3	(mm)	175	260	360	445	540	720	910
No. REQ		2	2	2	2	2	2	2	
STEEL REINFORCEMENT	(kg)	16.1	21.3	28.5	35.4	46.7	65.9	89.9	
CONCRETE N25 (SEE NOTE 1)	(m <sup>3</sup> )	0.53	0.71	0.94	1.18	1.49	2.12	2.89	

NOTES

1. CONCRETE STRENGTH GRADES SHOWN ARE FOR EXPOSURE CLASSIFICATION A2. REFER TO RMS SPECIFICATION B80 AND AS3600-2009, FOR CONCRETE STRENGTH GRADE, COVER TO REINFORCEMENT AND FOR OTHER EXPOSURE CLASSIFICATIONS.
2. WEEPHOLES ARE TO BE PROVIDED AT 1800 CENTRES (MAXIMUM) AT OUTLET ONLY.
3. ALL STEEL BARS TO BE GRADE 400Y TO AS4671-2001.
4. MESH: LAPS SHALL BE MADE SO THAT THE TWO OUTERMOST WIRES OF ONE FABRIC OVERLAP THE TWO OUTERMOST WIRES OF THE SHEET BEING LAPPED.

REFERENCED DOCUMENTS:

- AS4671-2001 STEEL REINFORCING MATERIALS
- AS3600-2009 CONCRETE STRUCTURES
- SPECIFICATION R11 - STORMWATER DRAINAGE
- SPECIFICATION B80 - CONCRETE WORK FOR BRIDGES

THIS DRAWING MAY BE PREPARED IN COLOUR AND MAY BE INCOMPLETE IF COPIED



QR CODE	SCAN TO CHECK DOCUMENT VER.	REV	DATE	AMENDMENT / REVISION DESCRIPTION	WVR No.	APPROVAL

ALL DIMENSIONS ARE IN MILLIMETRES UNLESS OTHERWISE SHOWN	
SCALES ON A3 SIZE DRAWING	CONTACT DETAILS
	SEND FEEDBACK ON THIS STANDARD DRAWING TO : technologystandards@rms.nsw.gov.au

ISSUED	SFR
MANAGER ROAD POLICY, SPECIFICATIONS & TECHNOLOGY	
DATE	20.01.17

**Transport Roads & Maritime Services**  
 PREPARED BY  
 ENGINEERING SERVICES  
 ROAD POLICY, SPECIFICATIONS AND  
 AND TECHNOLOGY

STANDARD DRAWING		A3
ROAD DESIGN ENGINEERING		
R0210 STORMWATER DRAINAGE SERIES - HEADWALLS		
CONCRETE HEADWALLS SINGLE CELL Ø300mm TO Ø900mm		
WITH CONCRETE APRON (2 TO 1 BATTER OR STEEPER) SHEET 1 OF 1		
STANDARD DRAWING No.	R0210-01	REV. -
STATUS	ISSUED	EDMS No. DS2014/005788
		ORIGINAL ISSUE DATE JANUARY 2017