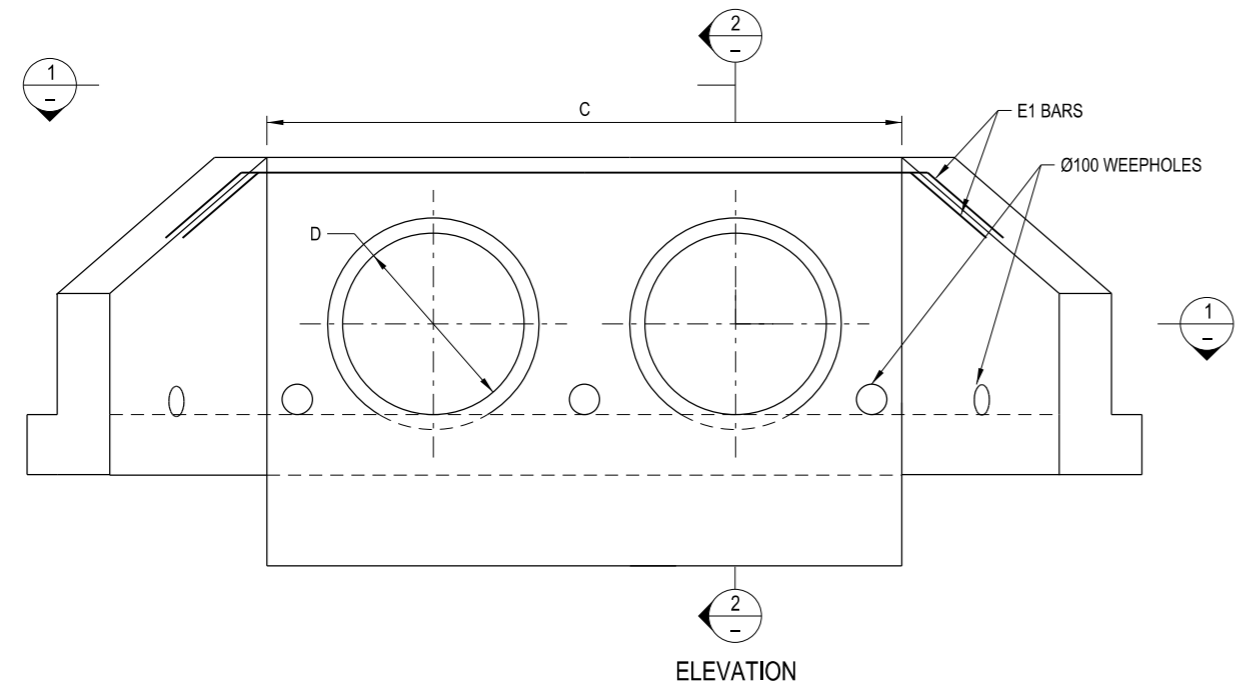


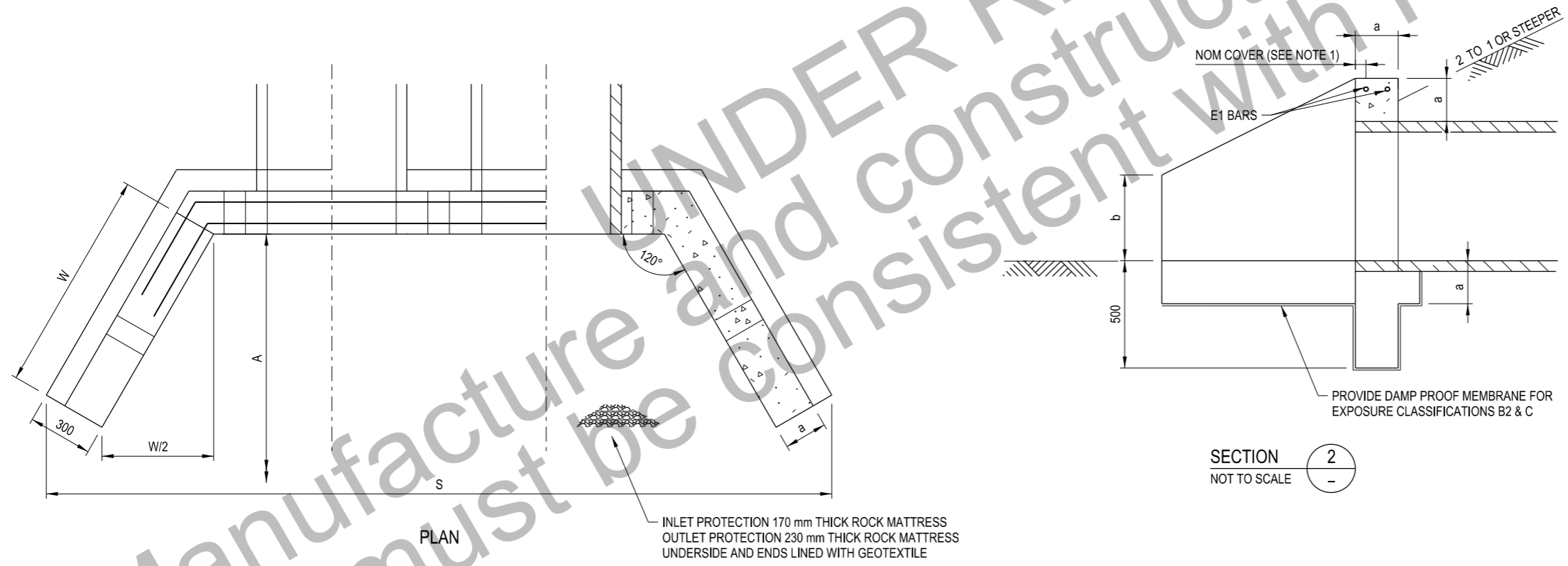
THIS DRAWING MAY BE PREPARED IN COLOUR AND MAY BE INCOMPLETE IF COPIED

50mm ON A3 SIZE ORIGINAL



DIMENSIONS	NOMINAL PIPE DIAMETER (mm)							
	300	375	450	525	600	750	900	
A	2000	2000	2000	2000	2000	3000	3000	
A	2000	2000	2000	4000	4000	4000	5000	
C	1440	1600	1780	1940	2100	2440	2800	
S	2300	2600	3000	3300	3700	4400	5100	
W	310	480	680	850	1040	1400	1780	
a	150	150	150	150	150	150	150	
b	300	300	300	300	400	400	400	

QUANTITIES IN 2 HEADWALLS	NOMINAL PIPE DIAMETER (mm)							
	300	375	450	525	600	750	900	
E1 BAR Ø12 mm	1555	1715	1895	2055	2215	2555	2915	
L1 (mm)	200	200	200	200	600	600	600	
L2 (mm)	4	4	4	4	4	4	4	
No. REQ (mm)	7820	8460	9180	9820	13660	15020	16460	
LENGTH (mm)	6.9	7.5	8.2	8.7	12.1	13.3	14.6	
STEEL REINFORCEMENT (kg)	0.63	0.79	0.97	1.14	1.36	1.78	2.25	
CONCRETE N25 (SEE NOTE 1) (m³)								



- NOTES**
- CONCRETE STRENGTH GRADES SHOWN ARE FOR EXPOSURE CLASSIFICATION A2. REFER TO AS3600-2009, SECTION 4 FOR CONCRETE STRENGTH GRADE, COVER TO REINFORCEMENT AND FOR OTHER EXPOSURE CLASSIFICATIONS.
 - WEEPHOLES ARE TO BE PROVIDED AT 1800 CENTRES (MAXIMUM) AT OUTLET ONLY.
 - ALL STEEL BARS TO BE GRADE 400Y TO AS4671-2001.
 - SPACING FOR MULTIPLE PIPES AS SPECIFIED IN R0240-01.
- REFERENCED DOCUMENTS:**
- AS4671-2001 STEEL REINFORCING MATERIALS
 - AS3600-2009 CONCRETE STRUCTURES
 - SPECIFICATION R11 - STORMWATER DRAINAGE

QR CODE				SCAN TO CHECK DOCUMENT VER.				ALL DIMENSIONS ARE IN MILLIMETRES UNLESS OTHERWISE SHOWN				ISSUED				STANDARD DRAWING			
1				9/10/17				SFR				SFR				ROAD DESIGN ENGINEERING			
Added Watermark												MANAGER ROAD POLICY, SPECIFICATIONS & TECHNOLOGY				R0210 STORMWATER DRAINAGE SERIES - HEADWALLS			
								SEND FEEDBACK ON THIS STANDARD DRAWING TO : technologystandards@rms.nsw.gov.au				DATE 20.01.17				CONCRETE HEADWALLS DOUBLE CELL Ø300 mm TO Ø900 mm			
												PREPARED BY				WITH ROCK MATTESS PROTECTION (2 TO 1 BATTER OR STEEPER) SHEET 1 OF 1			
												ENGINEERING SERVICES				STANDARD DRAWING No. R0210-05			
												ROAD POLICY, SPECIFICATIONS AND TECHNOLOGY				STATUS ISSUED			
																EDMS No. DS2014/005793			
																ORIGINAL ISSUE DATE JANUARY 2017			