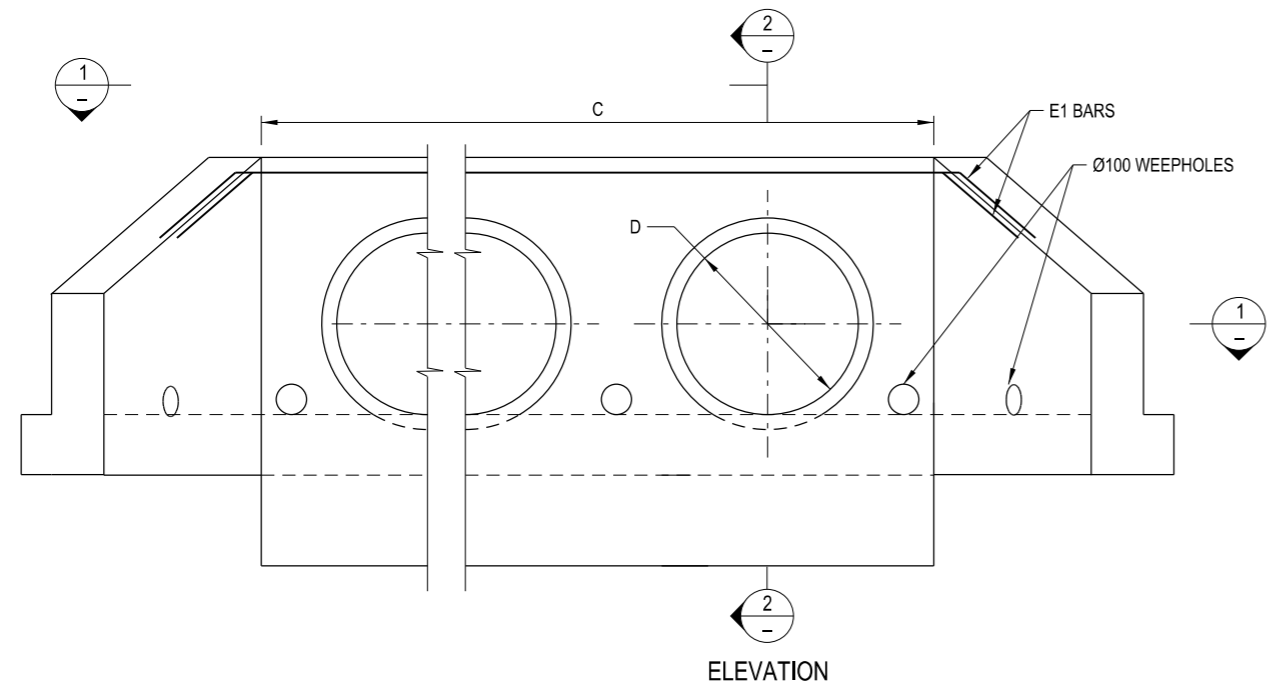


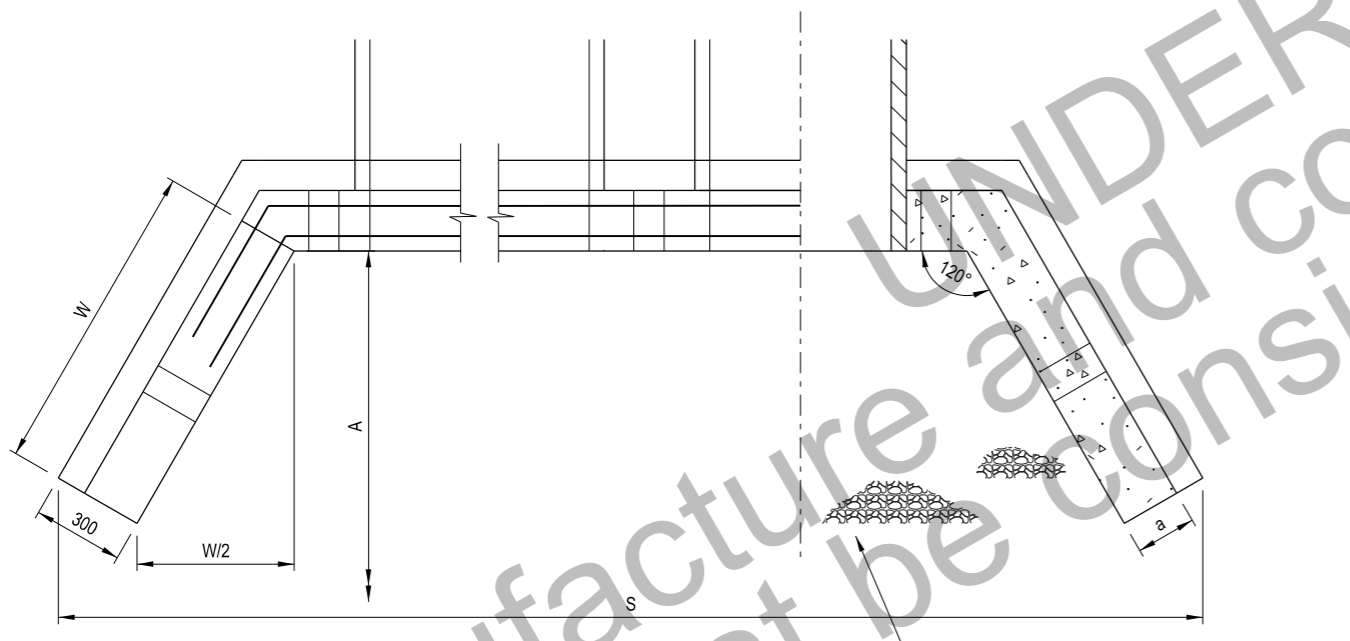
THIS DRAWING MAY BE PREPARED IN COLOUR AND MAY BE INCOMPLETE IF COPIED

50mm ON A3 SIZE ORIGINAL



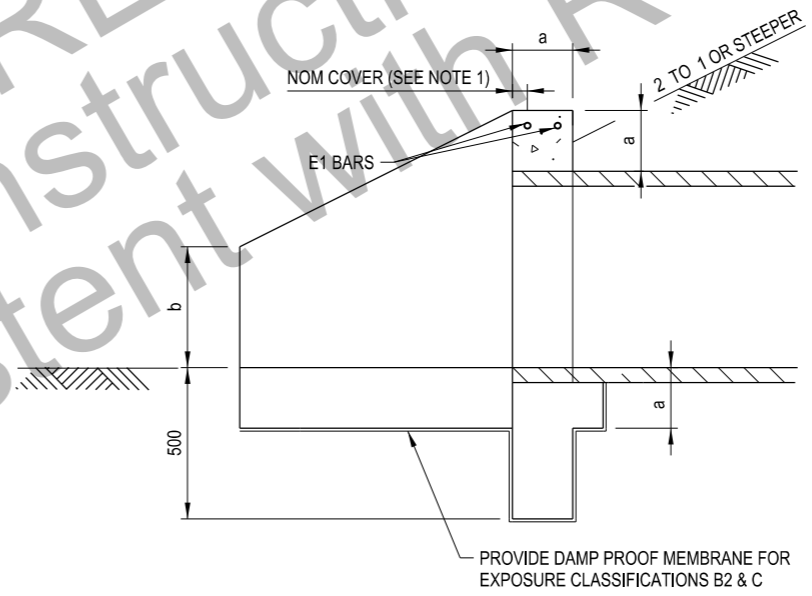
ELEVATION

DIMENSIONS	NOMINAL PIPE DIAMETER (mm)								
	300	375	450	525	600	750	900		
D	300	375	450	525	600	750	900		
A	2 000	2 000	2 000	2 000	2 000	3 000	3 000		
A	2 000	2 000	2 000	4 000	4 000	4 000	5 000		
C	2 110	2 350	2 620	2 860	3 100	3 610	4 150		
S	2 950	3 350	3 850	4 250	4 700	5 550	6 450		
W	310	480	680	850	1 040	1 400	1 780		
a	150	150	150	150	150	150	150		
b	300	300	300	300	400	400	400		
QUANTITIES IN 2 HEADWALLS	E1 BAR Ø12 mm	L1 (mm)	2 225	2 465	2 735	2 975	3 215	3 725	4 265
		L2 (mm)	200	200	200	200	600	600	600
		No. REQ (mm)	4	4	4	4	4	4	4
		LENGTH (mm)	10 500	11 460	12 540	13 500	17 660	19 700	21 860
	STEEL REINFORCEMENT (kg)	9.3	10.2	11.1	12.0	15.7	17.5	19.4	
	CONCRETE N25 (SEE NOTE 1) (m³)	0.84	1.01	1.22	1.42	1.67	2.15	2.70	



PLAN

SECTION 1
NOT TO SCALE



SECTION 2
NOT TO SCALE



INLET PROTECTION 170 mm THICK ROCK MATTRESS
OUTLET PROTECTION 230 mm THICK ROCK MATTRESS
UNDERSIDE AND ENDS LINED WITH GEOTEXTILE

NOTES

1. CONCRETE STRENGTH GRADES SHOWN ARE FOR EXPOSURE CLASSIFICATION A2. REFER TO AS3600-2009, SECTION 4 FOR CONCRETE STRENGTH GRADE, COVER TO REINFORCEMENT AND FOR OTHER EXPOSURE CLASSIFICATIONS.
2. WEEPHOLES ARE TO BE PROVIDED AT 1800 CENTRES (MAXIMUM) AT OUTLET ONLY.
3. ALL STEEL BARS TO BE GRADE 400Y TO AS4671-2001.
4. SPACING FOR MULTIPLE PIPES AS SPECIFIED IN R0240-01.

REFERENCED DOCUMENTS:

- AS4671-2001 STEEL REINFORCING MATERIALS
- AS3600-2009 CONCRETE STRUCTURES
- SPECIFICATION R11 - STORMWATER DRAINAGE

				REV 1 DATE 9/10/17 AMENDMENT / REVISION DESCRIPTION Added Watermark	WVR No. APPROVAL SFR	ALL DIMENSIONS ARE IN MILLIMETRES UNLESS OTHERWISE SHOWN SCALES ON A3 SIZE DRAWING	CONTACT DETAILS SEND FEEDBACK ON THIS STANDARD DRAWING TO : technologystandards@rms.nsw.gov.au	ISSUED SFR MANAGER ROAD POLICY, SPECIFICATIONS & TECHNOLOGY DATE 20.01.17	 Transport Roads & Maritime Services	STANDARD DRAWING ROAD DESIGN ENGINEERING R0210 STORMWATER DRAINAGE SERIES - HEADWALLS CONCRETE HEADWALLS TRIPLE CELL Ø300 mm TO Ø900 mm WITH ROCK MATTRESS PROTECTION (2 TO 1 BATTER OR STEEPER) SHEET 1 OF 1 STANDARD DRAWING No. R0210-08	REV. 1 STATUS ISSUED EDMS No. DS2014/005796 ORIGINAL ISSUE DATE JANUARY 2017
---	--	--	--	---	-------------------------	---	--	--	--	--	---