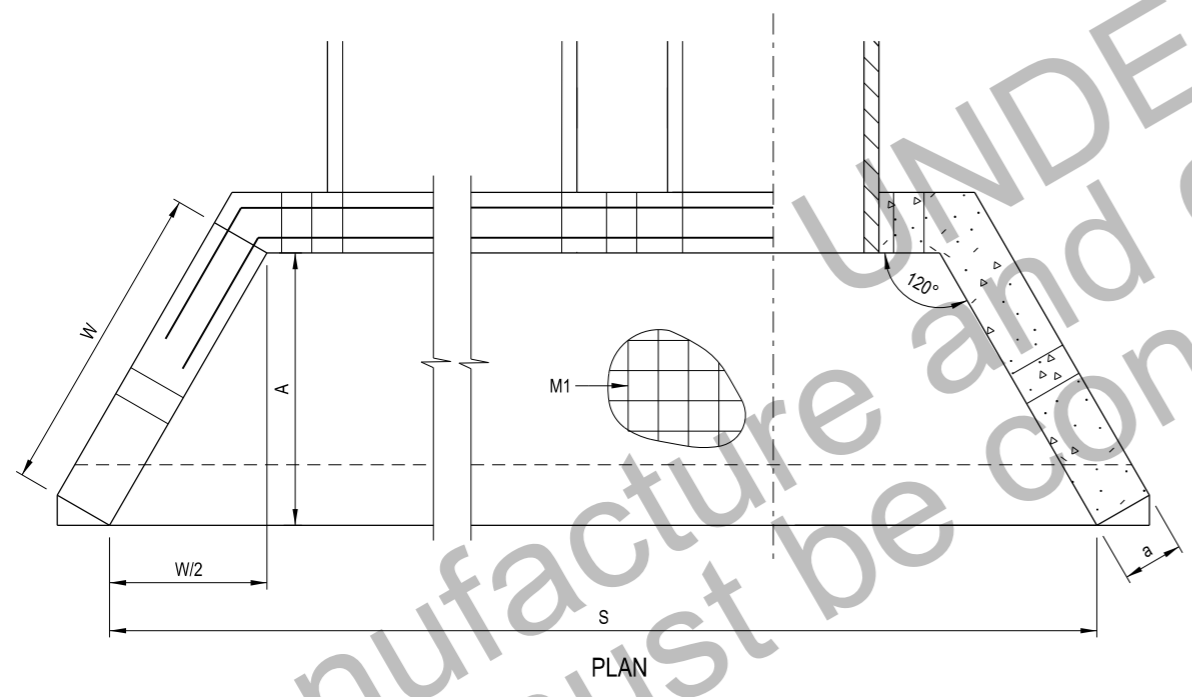
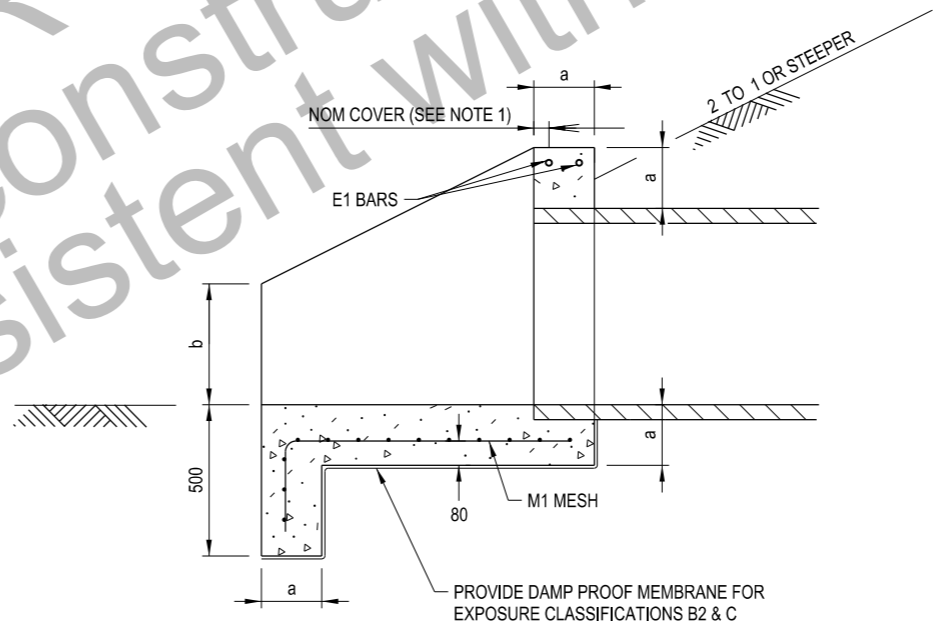


DIMENSIONS	DIMENSIONS							
	D	A	C	S	W	a	b	
NOMINAL PIPE DIAMETER (mm)	300	375	450	525	600	750	900	
APRON DEPTH (mm)	270	415	590	735	900	1 210	1 540	
HEADWALL LENGTH (mm)	2 680	3 100	3 460	3 780	4 100	4 780	5 500	
APRON WIDTH (mm)	3 090	3 580	4 140	4 630	5 140	6 180	7 280	
WINGWALL LENGTH (mm)	310	480	680	850	1 040	1 400	1 780	
a (mm)	150	150	150	150	150	150	150	
b (mm)	300	300	300	300	400	400	400	
E1 BAR Ø12 mm	L1 (mm)	2 895	3 215	3 575	3 895	4 215	4 895	5 615
	L2 (mm)	200	200	200	200	600	600	600
No. REQ (mm)	L1	4	4	4	4	4	4	4
	L2	4	4	4	4	4	4	4
LENGTH (mm)	MARK	SL81	SL81	SL81	SL81	SL81	SL81	SL81
	L1 (mm)	3 270	3 760	4 320	4 810	5 320	6 360	7 460
L2 (mm)	L1	610	755	930	1 075	1 240	1 550	1 880
	L2	175	260	360	445	540	720	910
No. REQ	L3	2	2	2	2	2	2	2
	No. REQ	2	2	2	2	2	2	2
STEEL REINFORCEMENT (kg)		43.0	56.7	75.2	93.0	117.3	166.0	226.9
CONCRETE N25 (SEE NOTE 1) (m³)		1.23	1.64	2.14	2.63	3.23	4.52	6.10

ELEVATION



PLAN  
SECTION 1 - NOT TO SCALE



SECTION 2 - NOT TO SCALE

NOTES

1. CONCRETE STRENGTH GRADES SHOWN ARE FOR EXPOSURE CLASSIFICATION A2. REFER TO AS3600-2009, SECTION 4 FOR CONCRETE STRENGTH GRADE, COVER TO REINFORCEMENT AND FOR OTHER EXPOSURE CLASSIFICATIONS.
2. WEEPHOLES ARE TO BE PROVIDED AT 1800 CENTRES (MAXIMUM) AT OUTLET ONLY.
3. ALL STEEL BARS TO BE GRADE 400Y TO AS4671-2001.
4. MESH LAPS SHALL BE MADE SO THAT THE TWO OUTERMOST WIRES OF ONE FABRIC OVERLAP THE TWO OUTERMOST WIRES OF THE SHEET BEING LAPPED.
5. SPACING FOR MULTIPLE PIPES AS SPECIFIED IN R0240-01.

REFERENCED DOCUMENTS:

- AS4671-2001 STEEL REINFORCING MATERIALS
- AS3600-2009 CONCRETE STRUCTURES
- SPECIFICATION R11 - STORMWATER DRAINAGE
- SPECIFICATION B80 - CONCRETE WORK FOR BRIDGES

THIS DRAWING MAY BE PREPARED IN COLOUR AND MAY BE INCOMPLETE IF COPIED 50mm ON A3 SIZE ORIGINAL

QR CODE		SCAN TO CHECK DOCUMENT VER.		REV. DATE		AMENDMENT / REVISION DESCRIPTION		WVR No.		APPROVAL		ALL DIMENSIONS ARE IN MILLIMETRES UNLESS OTHERWISE SHOWN		CONTACT DETAILS		ISSUED		<b>Transport Roads &amp; Maritime Services</b>		<b>STANDARD DRAWING</b> ROAD DESIGN ENGINEERING R0210 STORMWATER DRAINAGE SERIES - HEADWALLS CONCRETE HEADWALLS FOUR CELL Ø300 mm TO Ø900 mm WITH CONCRETE APRON (2 TO 1 BATTER OR STEEPER) SHEET 1 OF 1		A3
				1 9/10/17		Added Watermark				SFR				SEND FEEDBACK ON THIS STANDARD DRAWING TO : technologystandards@rms.nsw.gov.au		SFR MANAGER ROAD POLICY, SPECIFICATIONS & TECHNOLOGY		PREPARED BY ENGINEERING SERVICES ROAD POLICY, SPECIFICATIONS AND TECHNOLOGY		STANDARD DRAWING No. <b>R0210-10</b>		REV. 1
																DATE 20.01.17		STATUS ISSUED		ORIGINAL ISSUE DATE JANUARY 2017		