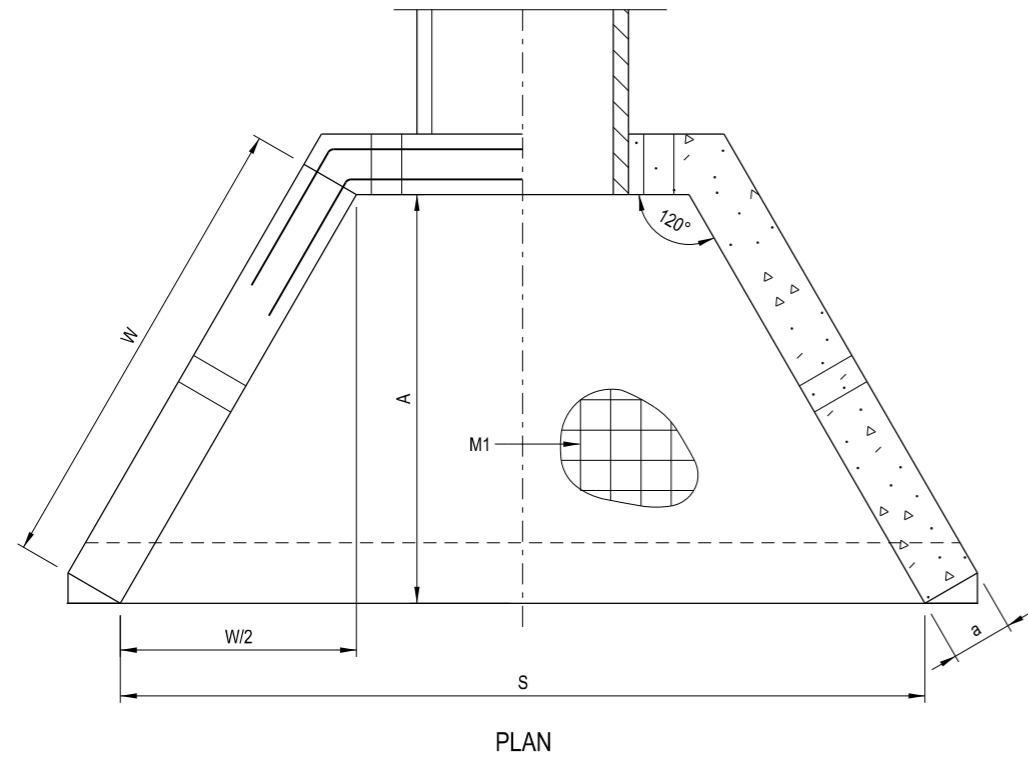


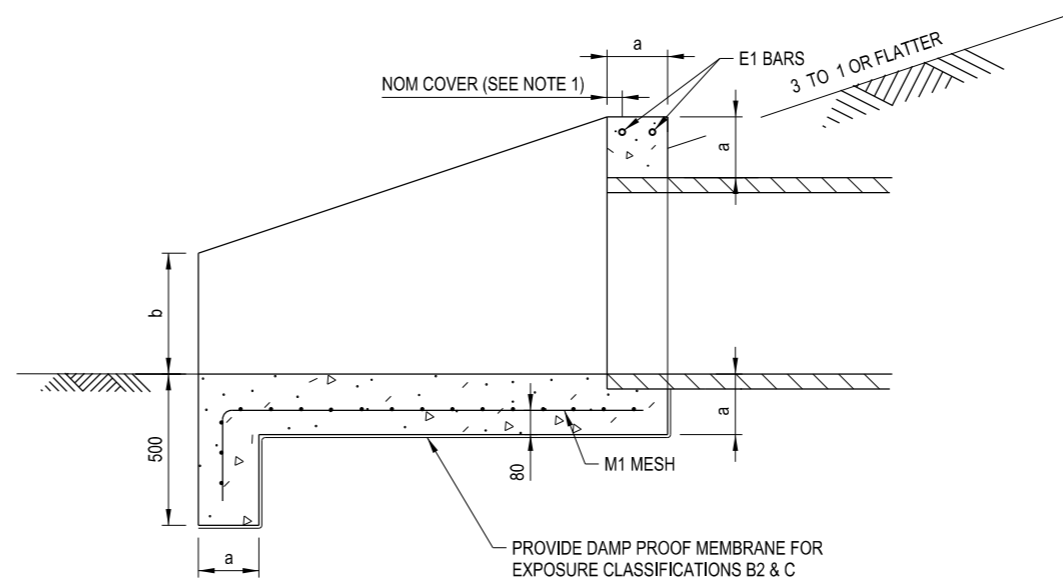
ELEVATION

DIMENSIONS			300	375	450	525	600	750	900
D	NOMINAL PIPE DIAMETER	(mm)	300	375	450	525	600	750	900
A	APRON DEPTH	(mm)	405	630	885	1 110	1 350	1 830	2 320
C	HEADWALL LENGTH	(mm)	770	850	940	1 020	1 100	1 270	1 450
S	APRON WIDTH	(mm)	1 240	1 580	1 960	2 300	2 660	3 380	4 130
W	WINGWALL LENGTH	(mm)	470	730	1 020	1 280	1 560	2 110	2 680
a		(mm)	150	150	150	150	150	150	150
b		(mm)	300	300	300	300	400	400	400
QUANTITIES IN 2 HEADWALLS									
E1 BAR Ø12 mm	L1	(mm)	885	965	1 055	1 135	1 215	1 385	1 565
	L2	(mm)	200	200	200	200	600	600	600
	No. REQ	(mm)	4	4	4	4	4	4	4
	LENGTH	(mm)	5 140	5 460	5 820	6 140	9 660	10 340	11 060
M1 MESH	MARK		SL81	SL81	SL81	SL81	SL81	SL81	SL81
	L1	(mm)	1 420	1 760	2 140	2 480	2 840	3 560	4 310
	L2	(mm)	745	970	1 225	1 450	1 690	2 210	2 660
	No. REQ		2	2	2	2	2	2	2
STEEL REINFORCEMENT		(kg)	18.5	26.3	36.9	48.0	64.1	97.7	136.2
CONCRETE N25 (SEE NOTE 1)		(m ³)	0.64	0.91	1.27	1.63	2.10	3.10	4.33



PLAN

SECTION 1
NOT TO SCALE



SECTION 2
NOT TO SCALE

NOTES

1. CONCRETE STRENGTH GRADES SHOWN ARE FOR EXPOSURE CLASSIFICATION A2. REFER TO AS3600-2009, SECTION 4 FOR CONCRETE STRENGTH GRADE, COVER TO REINFORCEMENT AND FOR OTHER EXPOSURE CLASSIFICATIONS.
2. WEEPHOLES ARE TO BE PROVIDED AT 1800 CENTRES (MAXIMUM) AT OUTLET ONLY.
3. ALL STEEL BARS TO BE GRADE 400Y TO AS4671-2001.
4. MESH LAPS SHALL BE MADE SO THAT THE TWO OUTERMOST WIRES OF ONE FABRIC OVERLAP THE TWO OUTERMOST WIRES OF THE SHEET BEING LAPPED.
5. SPACING FOR MULTIPLE PIPES AS SPECIFIED IN R0240-01.

REFERENCED DOCUMENTS:

- AS4671-2001 STEEL REINFORCING MATERIALS
- AS3600-2009 CONCRETE STRUCTURES
- SPECIFICATION R11 - STORMWATER DRAINAGE
- SPECIFICATION B80 - CONCRETE WORK FOR BRIDGES

THIS DRAWING MAY BE PREPARED IN COLOUR AND MAY BE INCOMPLETE IF COPIED

QR CODE SCAN TO CHECK DOCUMENT VER.		REV	DATE	AMENDMENT / REVISION DESCRIPTION	WVR No.	APPROVAL	ALL DIMENSIONS ARE IN MILLIMETRES UNLESS OTHERWISE SHOWN	CONTACT DETAILS SEND FEEDBACK ON THIS STANDARD DRAWING TO : technologystandards@rms.nsw.gov.au	ISSUED SFR MANAGER ROAD POLICY, SPECIFICATIONS & TECHNOLOGY DATE 20.01.17	Transport Roads & Maritime Services PREPARED BY ENGINEERING SERVICES ROAD POLICY, SPECIFICATIONS AND TECHNOLOGY	STANDARD DRAWING ROAD DESIGN ENGINEERING R0210 STORMWATER DRAINAGE SERIES - HEADWALLS CONCRETE HEADWALLS SINGLE CELL Ø300 mm TO Ø900 mm WITH CONCRETE APRON (3 TO 1 BATTER OR FLATTER) SHEET 1 OF 1 STANDARD DRAWING No. R0210-15	REV.
									STATUS ISSUED			EDMS No. DS2014/005803