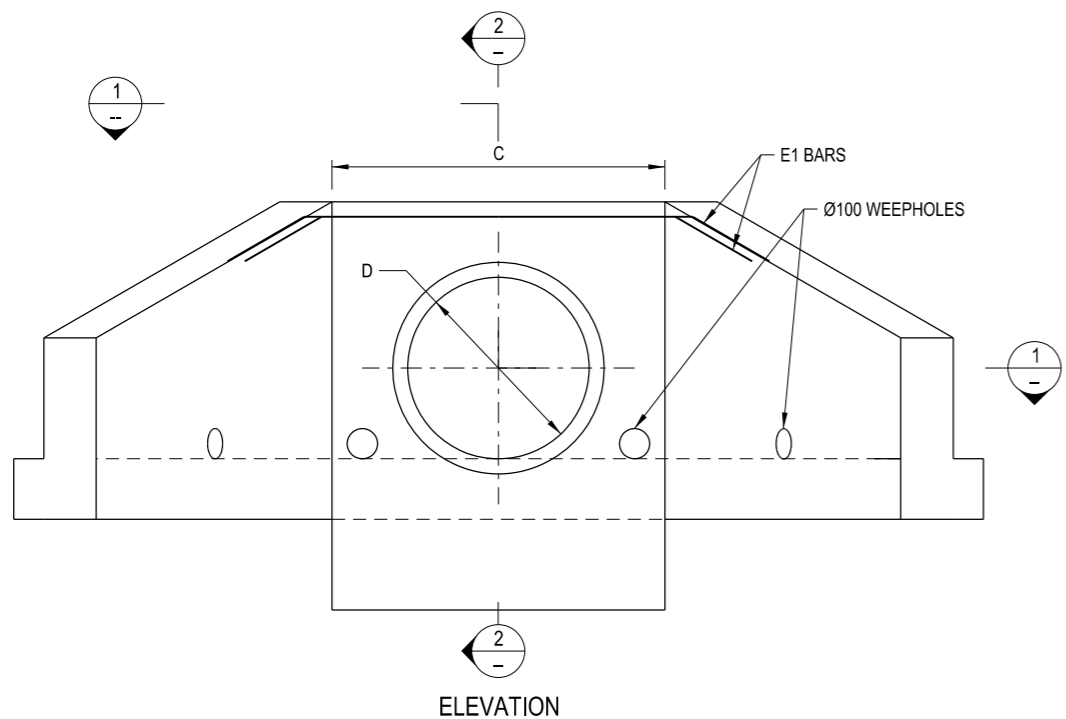
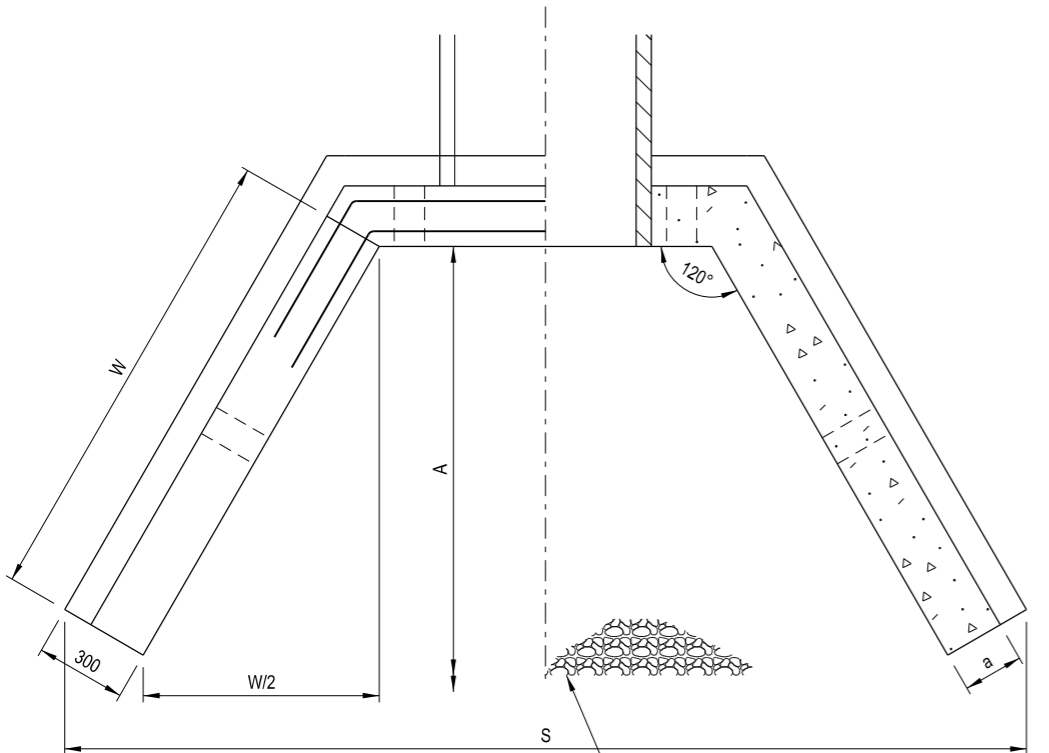


THIS DRAWING MAY BE PREPARED IN COLOUR AND MAY BE INCOMPLETE IF COPIED

50mm ON A3 SIZE ORIGINAL



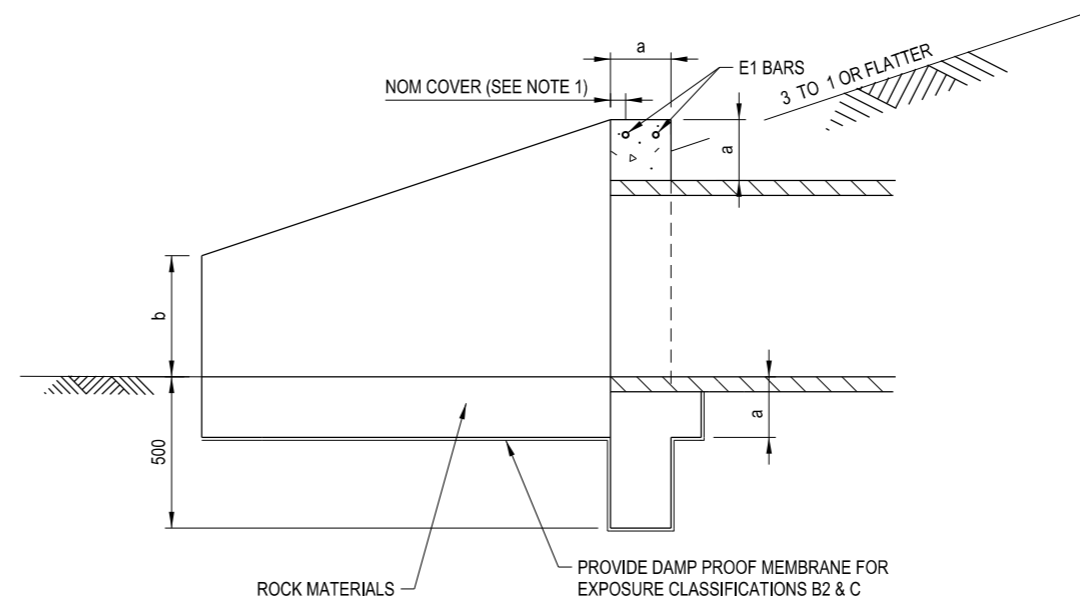
ELEVATION



PLAN

SECTION 1
NOT TO SCALE

DIMENSIONS	DIMENSIONS								
	D	300	375	450	525	600	750	900	
A	APRON DEPTH AT INLET	(mm)	2 000	2 000	2 000	2 000	3 000	3 000	3 000
A	APRON DEPTH AT OUTLET	(mm)	2 000	2 000	2 000	4 000	4 000	4 000	5 000
C	HEADWALL LENGTH	(mm)	770	850	940	1 020	1 100	1 270	1 450
S	APRON WIDTH	(mm)	1 800	2 100	2 500	2 850	3 200	3 900	4 650
W	WINGWALL LENGTH	(mm)	470	730	1 020	1 280	1 560	2 110	2 680
a		(mm)	150	150	150	150	150	150	150
b		(mm)	300	300	300	300	400	400	400
QUANTITIES IN 2 HEADWALLS	E1 BAR Ø12 mm								
	L1	(mm)	885	965	1 055	1 135	1 215	1 385	1 565
	L2	(mm)	200	200	200	200	600	600	600
	No. REQ	(mm)	4	4	4	4	4	4	4
	LENGTH	(mm)	5 140	5 460	5 820	6 140	9 660	10 340	11 060
	STEEL REINFORCEMENT	(kg)	4.6	4.8	5.2	5.5	8.6	9.2	9.8
	CONCRETE N25 (SEE NOTE 1)	(m ³)	0.52	0.68	0.88	1.07	1.34	1.83	2.39



SECTION 2
NOT TO SCALE

NOTES

1. CONCRETE STRENGTH GRADES SHOWN ARE FOR EXPOSURE CLASSIFICATION A2. REFER TO AS3600-2009, SECTION 4 FOR CONCRETE STRENGTH GRADE, COVER TO REINFORCEMENT AND FOR OTHER EXPOSURE CLASSIFICATIONS.
2. WEEPHOLES ARE TO BE PROVIDED AT 1800 CENTRES (MAXIMUM) AT OUTLET ONLY.
3. ALL STEEL BARS TO BE GRADE 400Y TO AS4671-2001.

REFERENCED DOCUMENTS:

- AS4671-2001 STEEL REINFORCING MATERIALS
- AS3600-2009 CONCRETE STRUCTURES
- SPECIFICATION R11 - STORMWATER DRAINAGE
- SPECIFICATION B80 - CONCRETE WORK FOR BRIDGES

ALL DIMENSIONS ARE IN MILLIMETRES UNLESS OTHERWISE SHOWN

QR CODE	SCAN TO CHECK DOCUMENT VER.	REV	DATE	AMENDMENT / REVISION DESCRIPTION	WVR No.	APPROVAL	SCALES ON A3 SIZE DRAWING	CONTACT DETAILS	ISSUED	DATE	PREPARED BY	STANDARD DRAWING No.	REV.
								SEND FEEDBACK ON THIS STANDARD DRAWING TO : technologystandards@rms.nsw.gov.au	SFR	20.01.17	ENGINEERING SERVICES ROAD POLICY, SPECIFICATIONS AND TECHNOLOGY	R0210-16	-
												EDMS No. DS2014/005805	ORIGINAL ISSUE DATE JANUARY 2017



STANDARD DRAWING
ROAD DESIGN ENGINEERING
R0210 STORMWATER DRAINAGE SERIES - HEADWALLS
 CONCRETE HEADWALLS SINGLE CELL Ø300 mm TO Ø900 mm
 WITH ROCK MATTRESS PROTECTION (3 TO 1 BATTER OR FLATTER) SHEET 1 OF 1

© Roads and Maritime Services