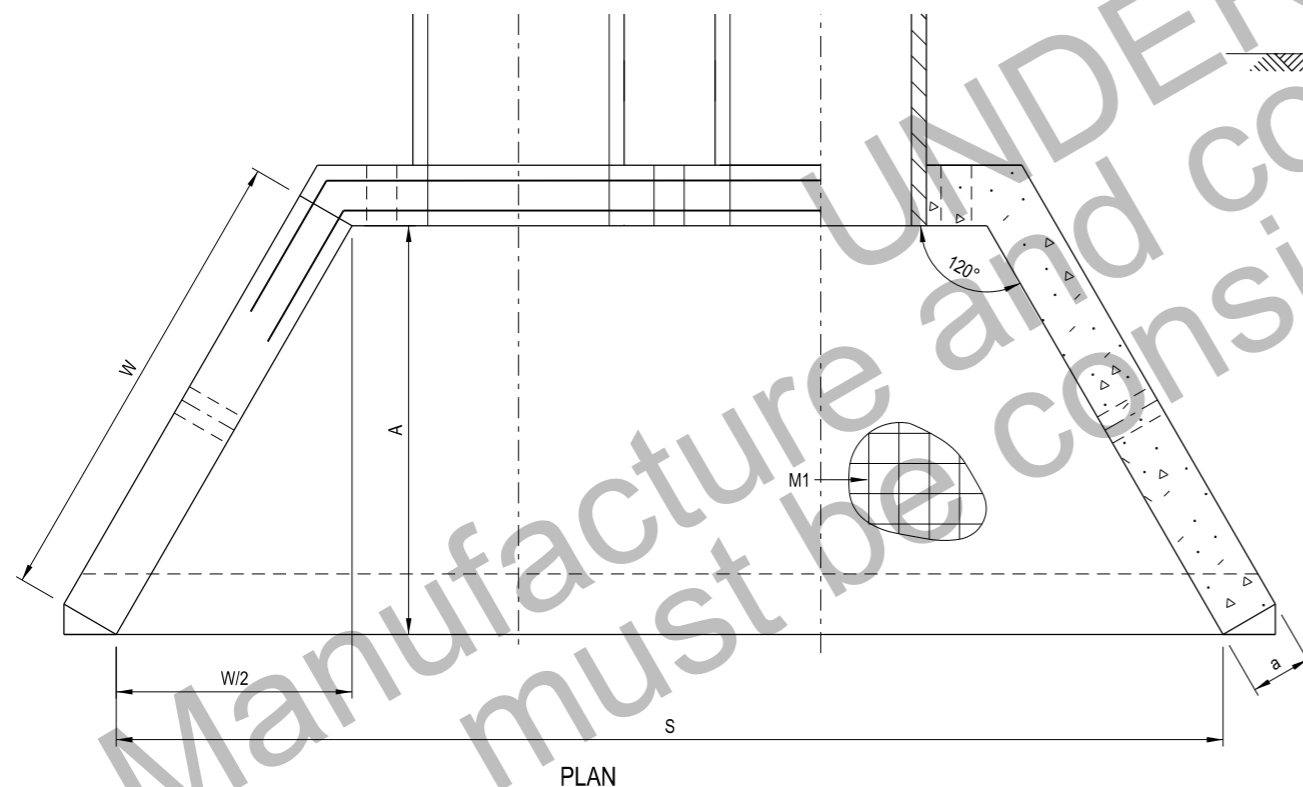


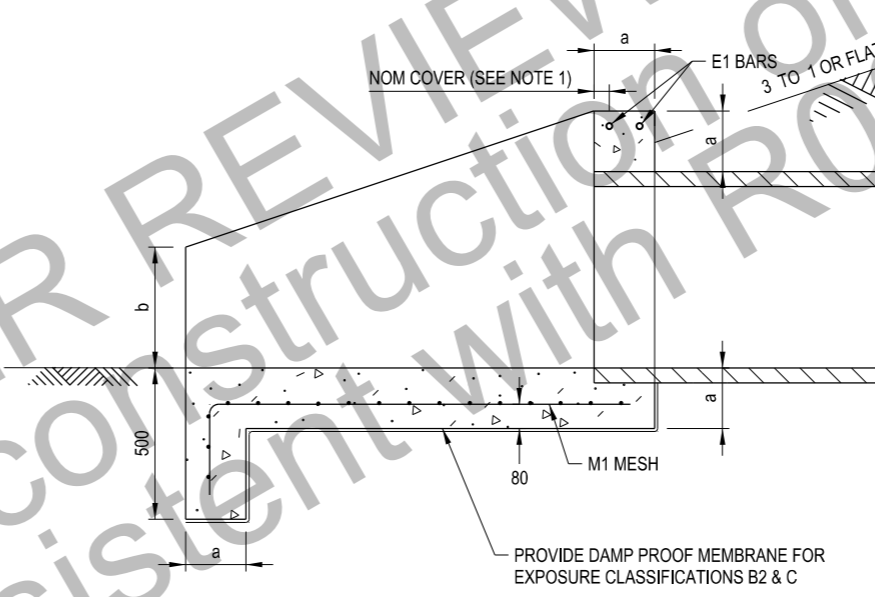
ELEVATION

DIMENSIONS	DIMENSIONS							
	D	300	375	450	525	600	750	900
A	405	630	885	1 110	1 350	1 830	2 320	
C	1 440	1 600	1 780	1 940	2 100	2 440	2 800	
S	1 910	2 330	2 800	3 220	3 660	4 550	5 480	
W	470	730	1 020	1 280	1 560	2 110	2 680	
a	150	150	150	150	150	150	150	
b	300	300	300	300	400	400	400	
E1 BAR Ø12 mm	L1	1 555	1 715	1 895	2 055	2 215	2 555	2 915
	No. REQ	4	4	4	4	4	4	4
M1 MESH	LENGTH	7 820	8 460	9 180	9 820	13 660	15 020	16 460
	MARK	SL81	SL81	SL81	SL81	SL81	SL81	SL81
L1	L1	2 090	2 510	2 980	3 400	3 840	4 730	5 660
	L2	745	970	1 225	1 450	1 690	2 210	2 660
L3	L3	255	385	530	660	800	1 075	1 360
	No. REQ	2	2	2	2	2	2	2
STEEL REINFORCEMENT	(kg)	29.0	40.7	56.5	72.7	94.9	143.5	198.9
CONCRETE N25 (SEE NOTE 1)	(m³)	0.90	1.27	1.74	2.21	2.81	4.12	5.72



PLAN

SECTION 1
NOT TO SCALE



NOTES

1. CONCRETE STRENGTH GRADES SHOWN ARE FOR EXPOSURE CLASSIFICATION A2. REFER TO AS3600-2009, SECTION 4 FOR CONCRETE STRENGTH GRADE, COVER TO REINFORCEMENT AND FOR OTHER EXPOSURE CLASSIFICATIONS.
2. WEEPHOLES ARE TO BE PROVIDED AT 1800 CENTRES (MAXIMUM) AT OUTLET ONLY.
3. ALL STEEL BARS TO BE GRADE 400Y TO AS4671-2001.
4. MESH: LAPS SHALL BE MADE SO THAT THE TWO OUTERMOST WIRES OF ONE FABRIC OVERLAP THE TWO OUTERMOST WIRES OF THE SHEET BEING LAPPED.
5. SPACING FOR MULTIPLE PIPES AS SPECIFIED IN R0240-01.

REFERENCED DOCUMENTS:

- AS4671-2001 STEEL REINFORCING MATERIALS
- AS3600-2009 CONCRETE STRUCTURES
- SPECIFICATION R11 - STORMWATER DRAINAGE
- SPECIFICATION B80 - CONCRETE WORK FOR BRIDGES

THIS DRAWING MAY BE PREPARED IN COLOUR AND MAY BE INCOMPLETE IF COPIED 50mm ON A3 SIZE ORIGINAL

		REV 1 DATE 9/10/17 AMENDMENT / REVISION DESCRIPTION Added Watermark	WVR No. APPROVAL SFR	ALL DIMENSIONS ARE IN MILLIMETRES UNLESS OTHERWISE SHOWN SCALES ON A3 SIZE DRAWING	CONTACT DETAILS SEND FEEDBACK ON THIS STANDARD DRAWING TO : technologystandards@rms.nsw.gov.au	ISSUED SFR MANAGER ROAD POLICY, SPECIFICATIONS & TECHNOLOGY DATE 20.01.17	Transport Roads & Maritime Services	STANDARD DRAWING ROAD DESIGN ENGINEERING R0210 STORMWATER DRAINAGE SERIES - HEADWALLS CONCRETE HEADWALLS DOUBLE CELL Ø300 mm TO Ø900 mm WITH CONCRETE APRON (3 TO 1 BATTER OR FLATTER) SHEET 1 OF 1	A3 REV. 1 ORIGINAL ISSUE DATE JANUARY 2017
--	--	---	-------------------------	---	--	--	---	--	--