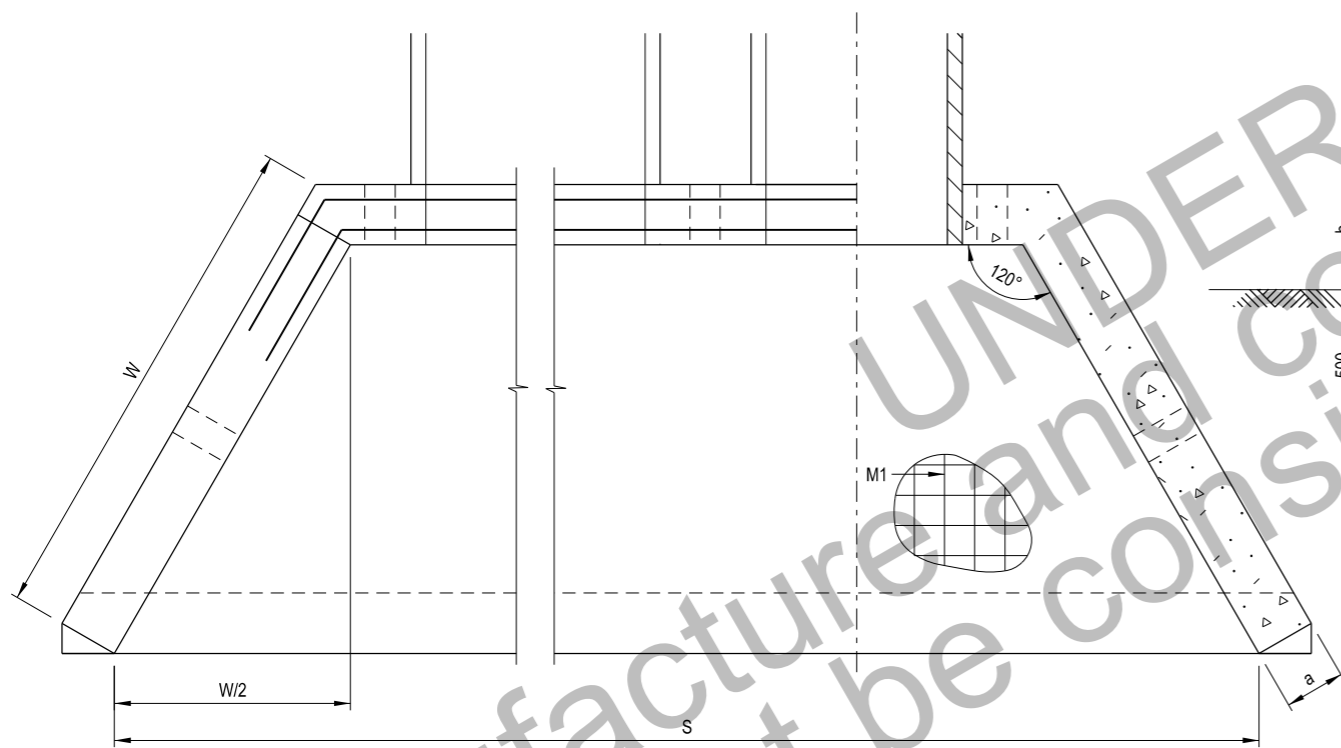
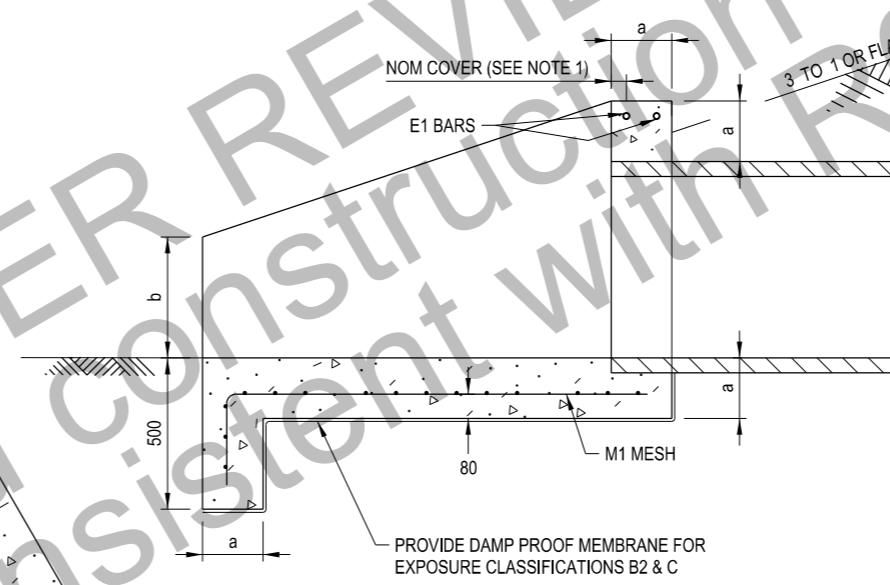


ELEVATION



PLAN

SECTION 1
NOT TO SCALE



SECTION 2
NOT TO SCALE

DIMENSIONS								
	D	300	375	450	525	600	750	900
A APRON DEPTH	(mm)	405	630	885	1 110	1 350	1 830	2 320
C HEADWALL LENGTH	(mm)	2 110	2 350	2 620	2 860	3 100	3 610	4 150
S APRON WIDTH	(mm)	2 580	3 080	3 640	4 140	4 660	5 720	6 830
W WINGWALL LENGTH	(mm)	470	730	1 020	1 280	1 560	2 110	2 680
a	(mm)	150	150	150	150	150	150	150
b	(mm)	300	300	300	300	400	400	400
E1 BAR Ø12 mm	L1	(mm)	2 225	2 465	2 735	2 975	3 215	3 725
	L2	(mm)	200	200	200	200	600	600
No. REQ	(mm)	4	4	4	4	4	4	4
LENGTH	(mm)	10 500	11 460	12 540	13 500	17 660	19 700	21 860
M1 MESH	MARK		SL81	SL81	SL81	SL81	SL81	SL81
	L1	(mm)	2 760	3 260	3 820	4 320	4 840	5 900
L2	(mm)	745	970	1 225	1 450	1 690	2 210	2 660
L3	(mm)	255	385	530	660	800	1 075	1 360
No. REQ		2	2	2	2	2	2	2
STEEL REINFORCEMENT	(kg)	39.4	55.1	76.1	97.5	125.7	189.3	261.6
CONCRETE N25 (SEE NOTE 1)	(m³)	1.19	1.64	2.21	2.80	3.53	5.14	7.11

NOTES



1. CONCRETE STRENGTH GRADES SHOWN ARE FOR EXPOSURE CLASSIFICATION A2. REFER TO AS3600-2009, SECTION 4 FOR CONCRETE STRENGTH GRADE, COVER TO REINFORCEMENT AND FOR OTHER EXPOSURE CLASSIFICATIONS.
2. WEEPHOLES ARE TO BE PROVIDED AT 1800 CENTRES (MAXIMUM) AT OUTLET ONLY.
3. ALL STEEL BARS TO BE GRADE 400Y TO AS4671-2001.
4. MESH LAPS SHALL BE MADE SO THAT THE TWO OUTERMOST WIRES OF ONE FABRIC OVERLAP THE TWO OUTERMOST WIRES OF THE SHEET BEING LAPPED.
5. SPACING FOR MULTIPLE PIPES AS SPECIFIED IN R0240-01.

REFERENCED DOCUMENTS:

- AS4671-2001 STEEL REINFORCING MATERIALS
- AS3600-2009 CONCRETE STRUCTURES
- SPECIFICATION R11 - STORMWATER DRAINAGE
- SPECIFICATION B80 - CONCRETE WORK FOR BRIDGES

THIS DRAWING MAY BE PREPARED IN COLOUR AND MAY BE INCOMPLETE IF COPIED

50mm ON A3 SIZE ORIGINAL

				REV 1 DATE 9/10/17 AMENDMENT / REVISION DESCRIPTION Added Watermark	WVR No. APPROVAL SFR	ALL DIMENSIONS ARE IN MILLIMETRES UNLESS OTHERWISE SHOWN SCALES ON A3 SIZE DRAWING	CONTACT DETAILS SEND FEEDBACK ON THIS STANDARD DRAWING TO : technologystandards@rms.nsw.gov.au	ISSUED SFR MANAGER ROAD POLICY, SPECIFICATIONS & TECHNOLOGY DATE 20.01.17	 Transport Roads & Maritime Services	STANDARD DRAWING ROAD DESIGN ENGINEERING R0210 STORMWATER DRAINAGE SERIES - HEADWALLS CONCRETE HEADWALLS TRIPLE CELL Ø300 mm TO Ø900 mm WITH CONCRETE APRON (3 TO 1 BATTER OR FLATTER) SHEET 1 OF 1 STANDARD DRAWING No. R0210-19	REV. 1 STATUS ISSUED EDMS No. DS2014/005808 ORIGINAL ISSUE DATE JANUARY 2017
---	--	--	--	---	-------------------------	---	--	--	--	--	---