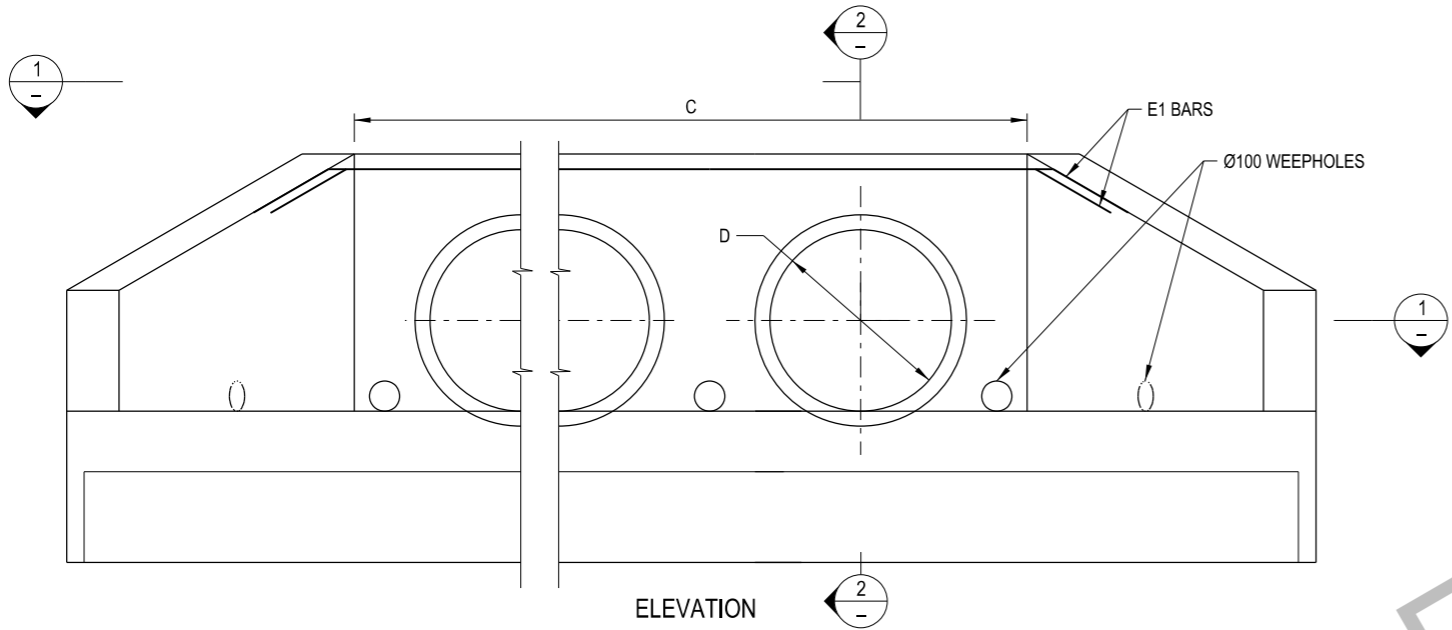
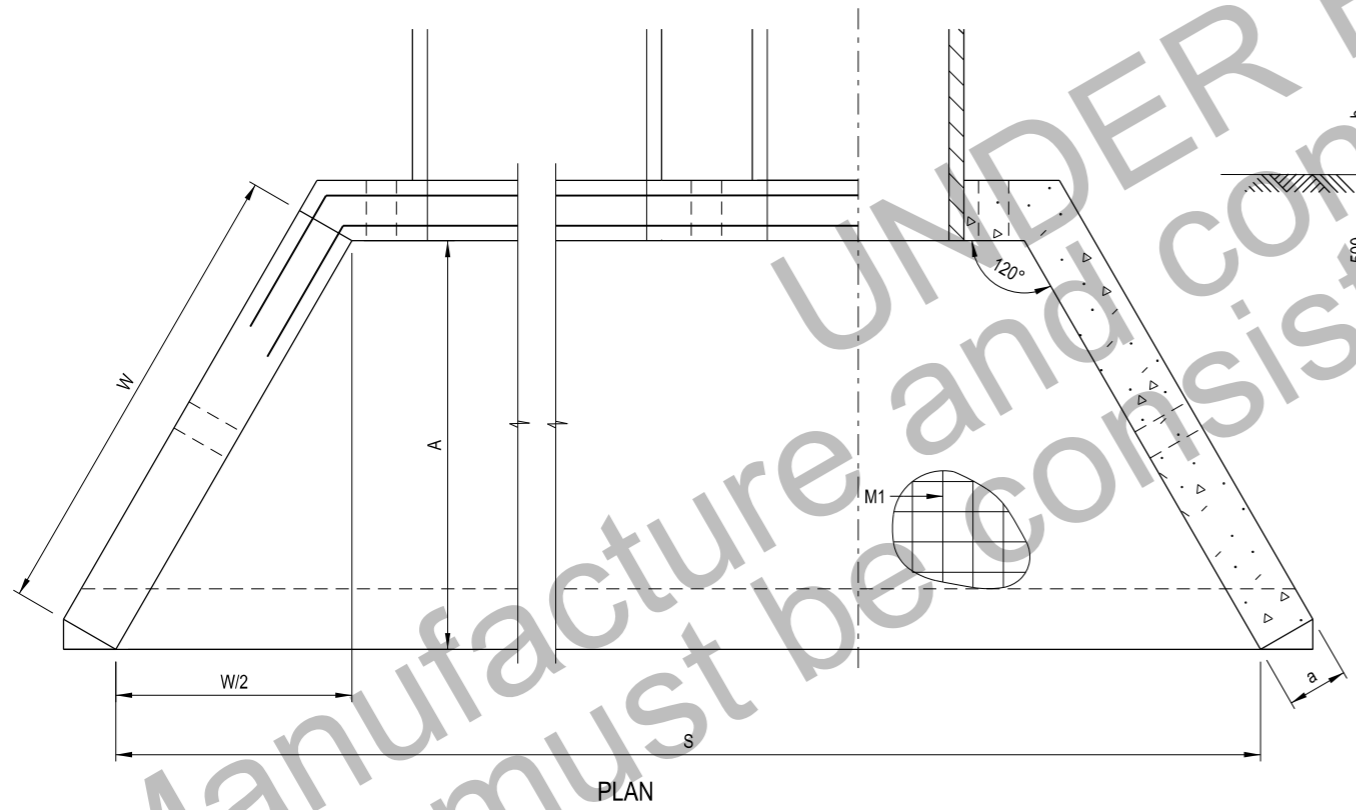


THIS DRAWING MAY BE PREPARED IN COLOUR AND MAY BE INCOMPLETE IF COPIED
50mm ON A3 SIZE ORIGINAL

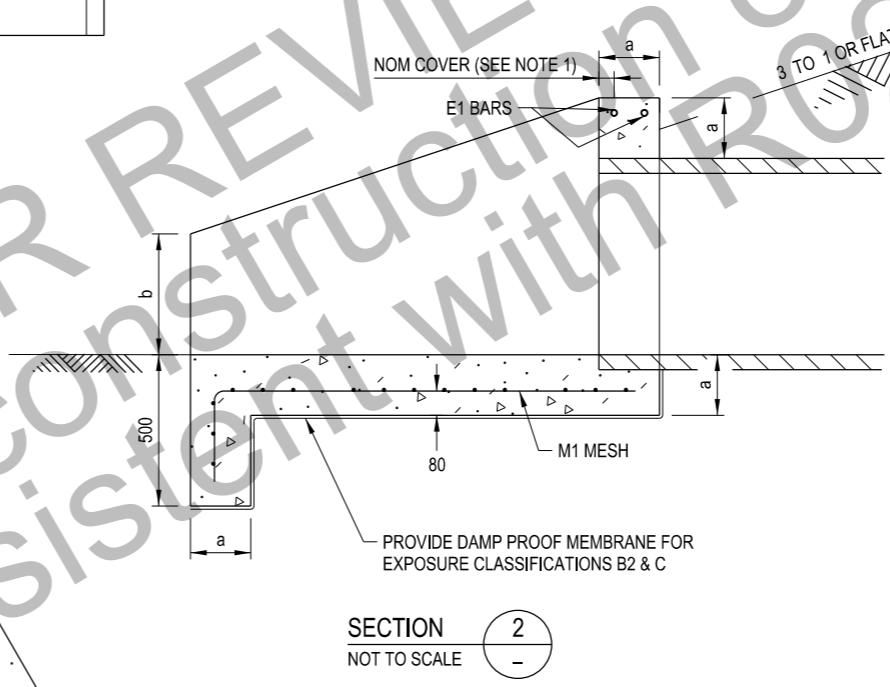


ELEVATION



PLAN

SECTION 1
NOT TO SCALE



SECTION 2
NOT TO SCALE

DIMENSIONS	NOMINAL PIPE DIAMETER (mm)							
	300	375	450	525	600	750	900	
D	300	375	450	525	600	750	900	
A	405	630	885	1 110	1 350	1 830	2 320	
C	2 680	3 100	3 460	3 780	4 100	4 780	5 500	
S	3 150	3 830	4 480	5 060	5 660	6 890	8 180	
W	470	730	1 020	1 280	1 560	2 110	2 680	
a	150	150	150	150	150	150	150	
b	300	300	300	300	400	400	400	
QUANTITIES IN 2 HEADWALLS	E1 BAR Ø12 mm							
	L1 (mm)	2 895	3 215	3 575	3 895	4 215	4 895	5 615
L2 (mm)	200	200	200	200	200	200	200	
No. REQ (mm)	4	4	4	4	4	4	4	
LENGTH (mm)	13 180	14 460	15 900	17 180	21 660	24 380	27 260	
QUANTITIES IN 2 HEADWALLS	M1 MESH							
	MARK	SL81	SL81	SL81	SL81	SL81	SL81	SL81
L1 (mm)	3 330	4 010	4 660	5 240	5 840	7 070	8 360	
L2 (mm)	745	970	1 225	1 450	1 690	2 210	2 660	
L3 (mm)	255	385	530	660	800	1 075	1 360	
No. REQ	2	2	2	2	2	2	2	
STEEL REINFORCEMENT (kg)	48.6	69.5	95.6	122.3	180.6	235.1	324.2	
CONCRETE N25 (SEE NOTE 1) (m³)	1.42	2.00	2.69	3.39	4.25	6.16	8.49	

NOTES

1. CONCRETE STRENGTH GRADES SHOWN ARE FOR EXPOSURE CLASSIFICATION A2. REFER TO AS3600-2009, SECTION 4 FOR CONCRETE STRENGTH GRADE, COVER TO REINFORCEMENT AND FOR OTHER EXPOSURE CLASSIFICATIONS.
2. WEEPHOLES ARE TO BE PROVIDED AT 1800 CENTRES (MAXIMUM) AT OUTLET ONLY.
3. ALL STEEL BARS TO BE GRADE 400Y TO AS4671-2001.
4. MESH LAPS SHALL BE MADE SO THAT THE TWO OUTERMOST WIRES OF ONE FABRIC OVERLAP THE TWO OUTERMOST WIRES OF THE SHEET BEING LAPPED.
5. SPACING FOR MULTIPLE PIPES AS SPECIFIED IN R0240-01.

REFERENCED DOCUMENTS:

- AS4671-2001 STEEL REINFORCING MATERIALS
- AS3600-2009 CONCRETE STRUCTURES
- SPECIFICATION R11 - STORMWATER DRAINAGE
- SPECIFICATION B80 - CONCRETE WORK FOR BRIDGES

QR CODE				SCAN TO CHECK DOCUMENT VER.				ALL DIMENSIONS ARE IN MILLIMETRES UNLESS OTHERWISE SHOWN				ISSUED				STANDARD DRAWING			
1				9/10/17				SFR				SFR				ROAD DESIGN ENGINEERING			
Added Watermark								SEND FEEDBACK ON THIS STANDARD DRAWING TO : technologystandards@rms.nsw.gov.au				MANAGER ROAD POLICY, SPECIFICATIONS & TECHNOLOGY				R0210 STORMWATER DRAINAGE SERIES - HEADWALLS			
								DATE 20.01.17				CONCRETE HEADWALLS FOUR CELL Ø300 mm TO Ø900 mm							
												WITH CONCRETE APRON (3 TO 1 BATTER OR FLATTER) SHEET 1 OF 1							
												STANDARD DRAWING No. R0210-21							
												STATUS ISSUED							
												EDMS No. DS2014/005810							
												ORIGINAL ISSUE DATE JANUARY 2017							
												© Roads and Maritime Services							