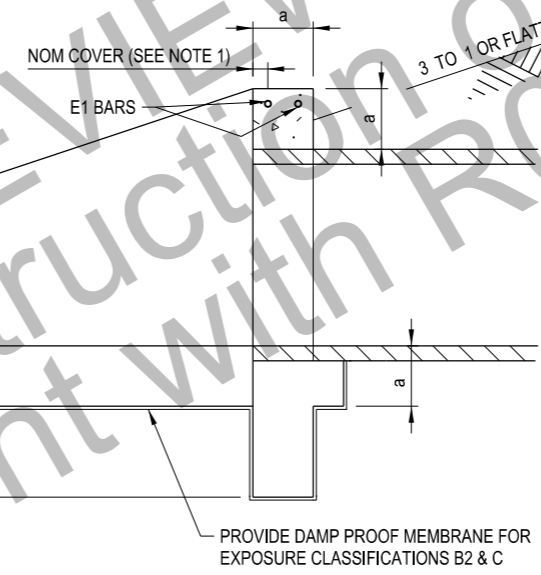
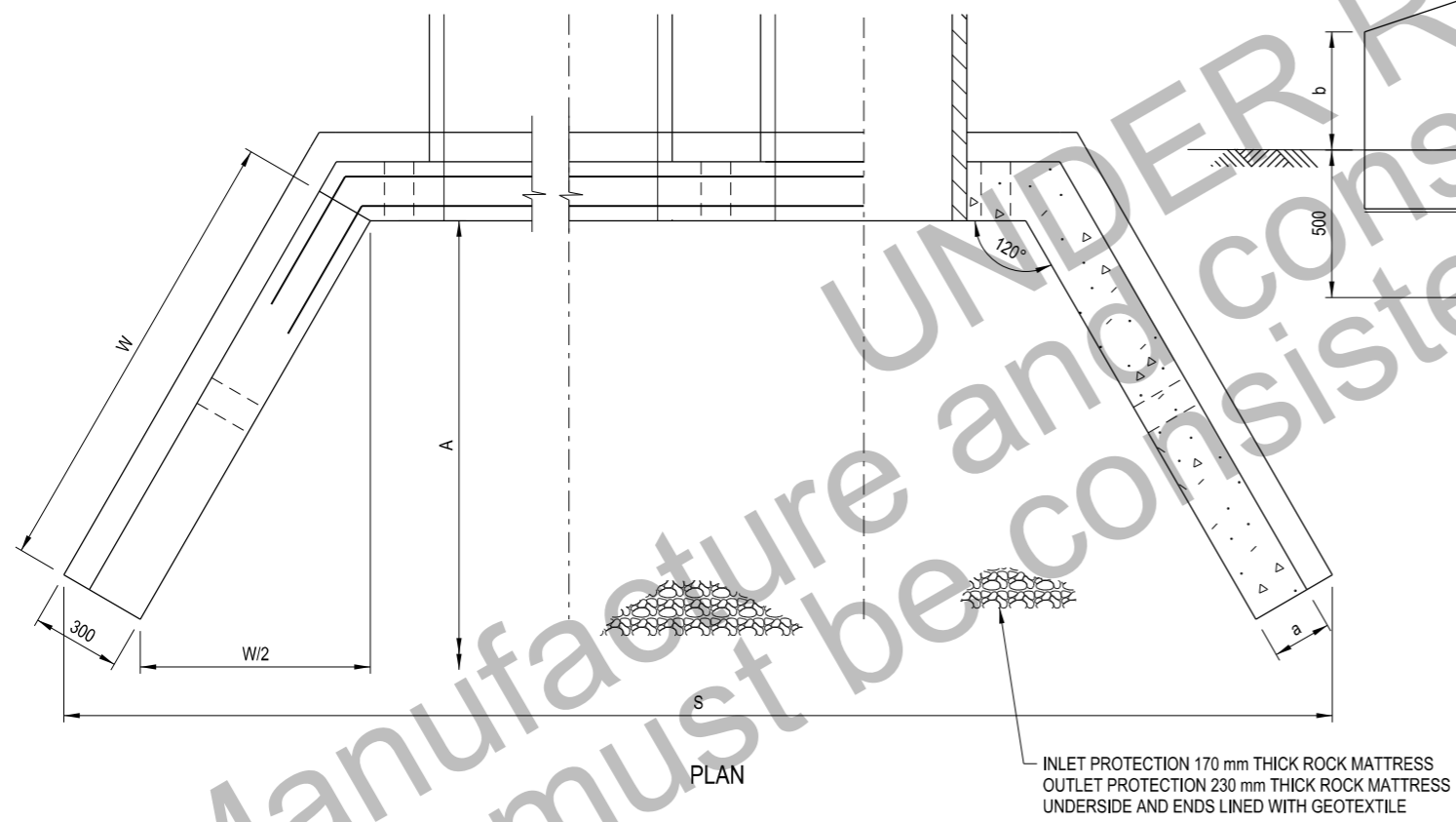


| DIMENSIONS | NOMINAL PIPE DIAMETER (mm) | | | | | | | | |
|---------------------------|--------------------------------|--------------|--------|--------|--------|--------|--------|--------|--------|
| | 300 | 375 | 450 | 525 | 600 | 750 | 900 | | |
| A | 2 000 | 2 000 | 2 000 | 2 000 | 2 000 | 3 000 | 3 000 | | |
| A | 2 000 | 2 000 | 2 000 | 4 000 | 4 000 | 4 000 | 5 000 | | |
| C | 2 680 | 3 100 | 3 460 | 3 780 | 4 100 | 4 780 | 5 500 | | |
| S | 3 750 | 4 350 | 5 000 | 5 600 | 6 200 | 7 450 | 8 700 | | |
| W | 470 | 730 | 1 020 | 1 280 | 1 560 | 2 110 | 2 680 | | |
| a | 150 | 150 | 150 | 150 | 150 | 150 | 150 | | |
| b | 300 | 300 | 300 | 300 | 400 | 400 | 400 | | |
| QUANTITIES IN 2 HEADWALLS | E1 BAR Ø12 mm | L1 (mm) | 2 895 | 3 215 | 3 575 | 3 895 | 4 215 | 4 895 | 5 615 |
| | | L2 (mm) | 200 | 200 | 200 | 200 | 600 | 600 | 600 |
| | | No. REQ (mm) | 4 | 4 | 4 | 4 | 4 | 4 | 4 |
| | | LENGTH (mm) | 13 180 | 14 460 | 15 900 | 17 180 | 21 660 | 24 380 | 27 260 |
| | STEEL REINFORCEMENT (kg) | 11.7 | 12.8 | 14.1 | 15.3 | 19.2 | 21.7 | 24.2 | |
| | CONCRETE N25 (SEE NOTE 1) (m³) | 1.07 | 1.34 | 1.63 | 1.92 | 2.27 | 2.95 | 3.73 | |



SECTION 2
NOT TO SCALE

SECTION 1
NOT TO SCALE

- NOTES**
- CONCRETE STRENGTH GRADES SHOWN ARE FOR EXPOSURE CLASSIFICATION A2. REFER TO AS3600-2009, SECTION 4 FOR CONCRETE STRENGTH GRADE, COVER TO REINFORCEMENT AND FOR OTHER EXPOSURE CLASSIFICATIONS.
 - WEEPHOLES ARE TO BE PROVIDED AT 1800 CENTRES (MAXIMUM) AT OUTLET ONLY.
 - ALL STEEL BARS TO BE GRADE 400Y TO AS4671-2001.
 - SPACING FOR MULTIPLE PIPES AS SPECIFIED IN R0240-01.

REFERENCED DOCUMENTS:
 AS4671-2001 STEEL REINFORCING MATERIALS
 AS3600-2009 CONCRETE STRUCTURES
 SPECIFICATION R11 - STORMWATER DRAINAGE

THIS DRAWING MAY BE PREPARED IN COLOUR AND MAY BE INCOMPLETE IF COPIED

| | | | | | | | | | | | | | | |
|---------|--|-----------------------------|--|-----------------|------|----------------------------------|---------|---------------------------|--|--|---------------|---|--|------------------------|
| QR CODE | | SCAN TO CHECK DOCUMENT VER. | | REV | DATE | AMENDMENT / REVISION DESCRIPTION | WVR No. | APPROVAL | ALL DIMENSIONS ARE IN MILLIMETRES UNLESS OTHERWISE SHOWN | | ISSUED | Transport Roads & Maritime Services | STANDARD DRAWING ROAD DESIGN ENGINEERING R0210 STORMWATER DRAINAGE SERIES - HEADWALLS CONCRETE HEADWALLS FOUR CELL Ø300 mm TO Ø900 mm WITH ROCK MATTRESS PROTECTION (3 TO 1 BATTER OR FLATTER) SHEET 1 OF 1 | REV. |
| 1 | | 9/10/17 | | Added Watermark | | | SFR | SCALES ON A3 SIZE DRAWING | CONTACT DETAILS | MANAGER ROAD POLICY, SPECIFICATIONS & TECHNOLOGY | DATE 20.01.17 | | | EDMS No. DS2014/005811 |

© Roads and Maritime Services