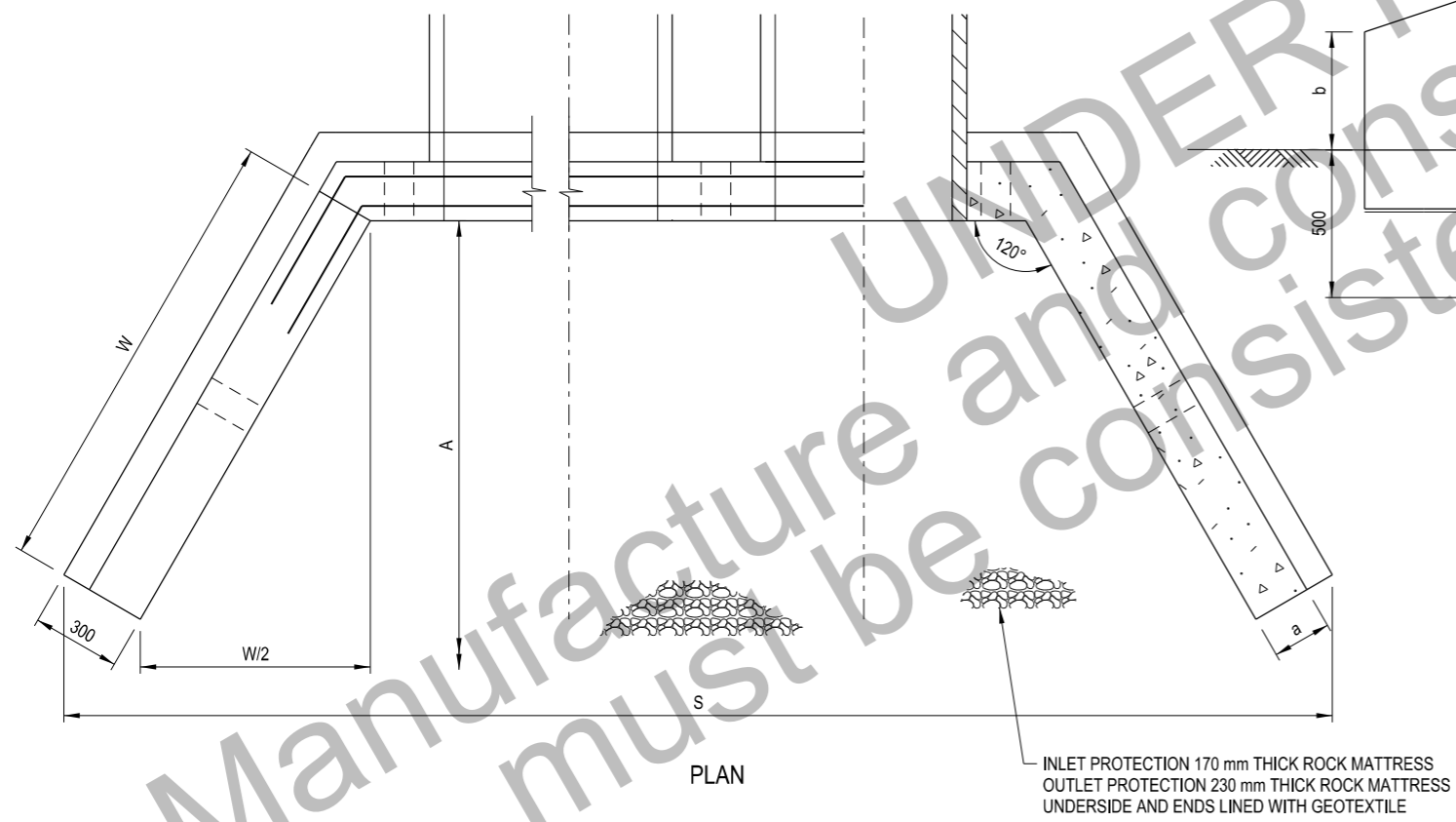
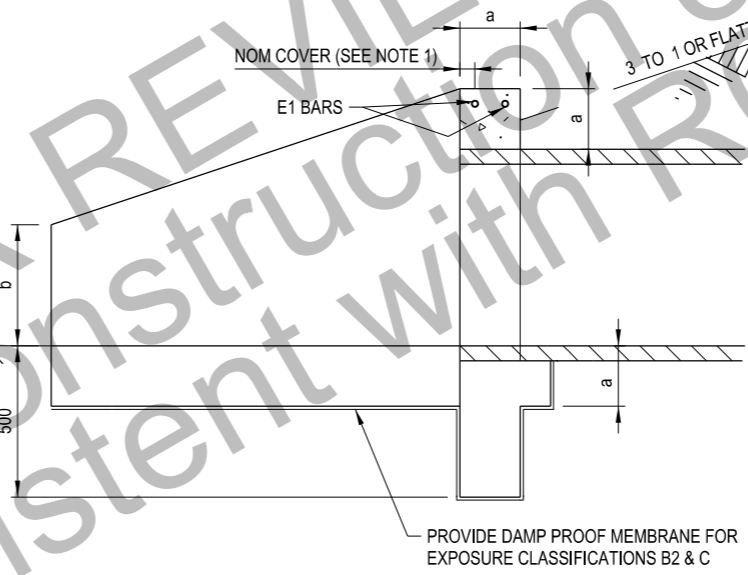


DIMENSIONS	NOMINAL PIPE DIAMETER (mm)								
	300	375	450	525	600	750	900		
A	2 000	2 000	2 000	2 000	2 000	3 000	3 000		
A	2 000	2 000	2 000	4 000	4 000	4 000	5 000		
C	3 350	3 850	4 300	4 700	5 100	5 950	6 850		
S	4 350	5 100	5 850	6 500	7 200	8 600	10 500		
W	470	730	1 020	1 280	1 560	2 110	2 680		
a	150	150	150	150	150	150	150		
b	300	300	300	300	400	400	400		
QUANTITIES IN 2 HEADWALLS	E1 BAR Ø12 mm	L1 (mm)	3 565	3 965	4 415	4 815	5 215	6 065	6 965
		L2 (mm)	200	200	200	200	600	600	600
		No. REQ (mm)	4	4	4	4	4	4	4
		LENGTH (mm)	13 180	14 460	15 900	17 180	21 660	24 380	27 260
	STEEL REINFORCEMENT (kg)	14.1	15.5	17.1	18.5	22.8	25.8	29.0	
	CONCRETE N25 (SEE NOTE 1) (m³)	1.26	1.56	1.88	2.20	2.58	3.33	4.18	

ELEVATION



SECTION 1 NOT TO SCALE



SECTION 2 NOT TO SCALE

- NOTES**
- CONCRETE STRENGTH GRADES SHOWN ARE FOR EXPOSURE CLASSIFICATION A2. REFER TO AS3600-2009, SECTION 4 FOR CONCRETE STRENGTH GRADE, COVER TO REINFORCEMENT AND FOR OTHER EXPOSURE CLASSIFICATIONS.
 - WEEPHOLES ARE TO BE PROVIDED AT 1800 CENTRES (MAXIMUM) AT OUTLET ONLY.
 - ALL STEEL BARS TO BE GRADE 400Y TO AS4671-2001.
 - SPACING FOR MULTIPLE PIPES AS SPECIFIED IN R0240-01.

REFERENCED DOCUMENTS:
 AS4671-2001 STEEL REINFORCING MATERIALS
 AS3600-2009 CONCRETE STRUCTURES
 SPECIFICATION R11 - STORMWATER DRAINAGE

THIS DRAWING MAY BE PREPARED IN COLOUR AND MAY BE INCOMPLETE IF COPIED

QR CODE		REV	DATE	AMENDMENT / REVISION DESCRIPTION	WVR No.	APPROVAL	ALL DIMENSIONS ARE IN MILLIMETRES UNLESS OTHERWISE SHOWN	CONTACT DETAILS	ISSUED	Transport Roads & Maritime Services	STANDARD DRAWING ROAD DESIGN ENGINEERING R0210 STORMWATER DRAINAGE SERIES - HEADWALLS CONCRETE HEADWALLS FOUR CELL Ø300 mm TO Ø900 mm WITH ROCK MATTRESS PROTECTION (3 TO 1 BATTER OR FLATTER) SHEET 1 OF 1	STANDARD DRAWING No. R0210-24	REV.
		1	9/10/17	Added Watermark		SFR	SCALES ON A3 SIZE DRAWING SEND FEEDBACK ON THIS STANDARD DRAWING TO : technologystandards@rms.nsw.gov.au	SFR MANAGER ROAD POLICY, SPECIFICATIONS & TECHNOLOGY DATE 20.01.17	PREPARED BY ENGINEERING SERVICES ROAD POLICY, SPECIFICATIONS AND TECHNOLOGY				STATUS ISSUED