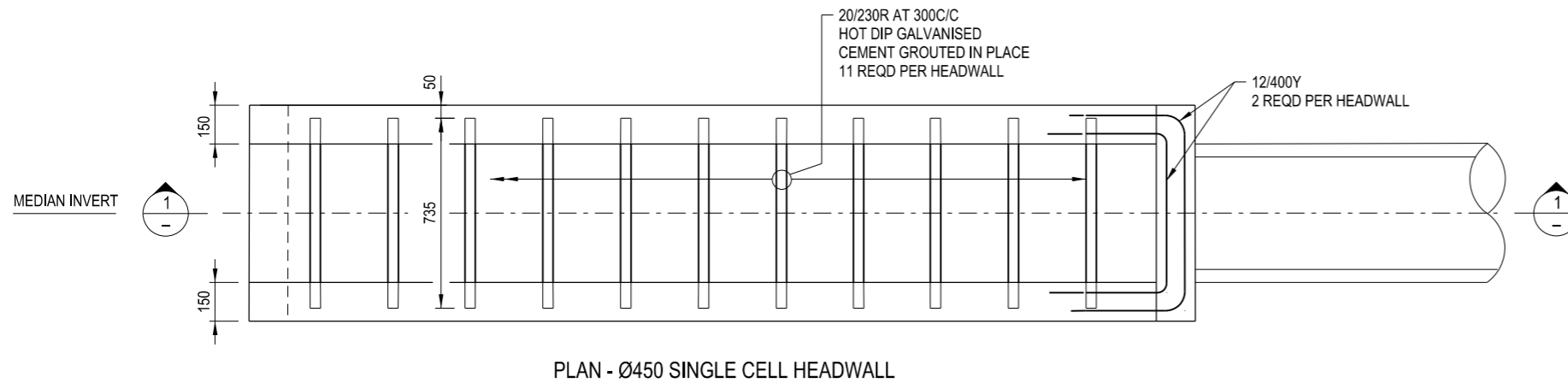
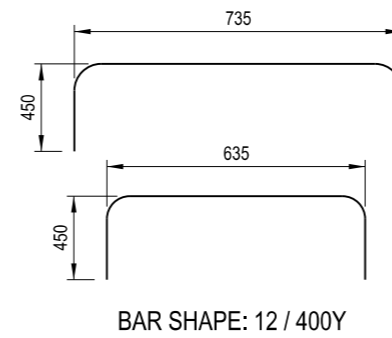


SECTION 1
NOT TO SCALE



PLAN - Ø450 SINGLE CELL HEADWALL



BAR SHAPE: 12 / 400Y

MARK	LENGTH (mm)	NUMBER REQUIRED	TOTAL LENGTH (m)	MASS (kg)
20 / 230R	735	22	16.17	41
12 / 400Y	1 635	2	3.27	3
	1 535	2	3.07	2.8

CONCRETE IN ONE HEADWALL - 0.94 m³

NOTES

1. CONCRETE STRENGTH GRADES SHOWN ARE FOR EXPOSURE CLASSIFICATION A2. REFER TO AS3600-2009, FOR CONCRETE STRENGTH GRADE, COVER TO REINFORCEMENT AND FOR OTHER EXPOSURE CLASSIFICATIONS.
2. ALL EXPOSED SURFACES TO BE 25 mm CHAMFER.
3. CONCRETE GRADE N25.

THIS DRAWING MAY BE PREPARED IN COLOUR AND MAY BE INCOMPLETE IF COPIED

50mm ON A3 SIZE ORIGINAL

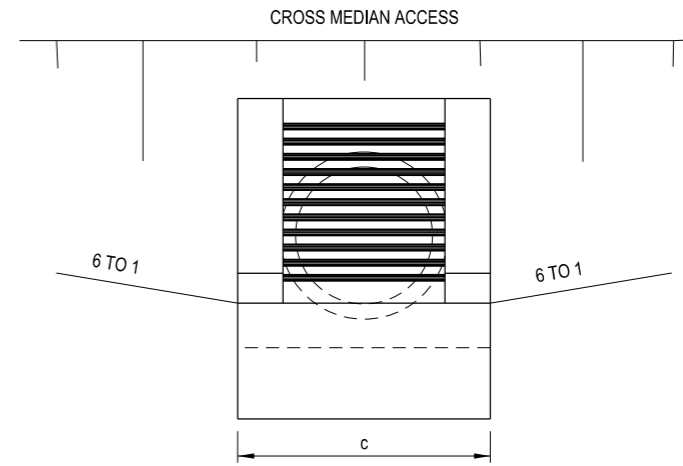
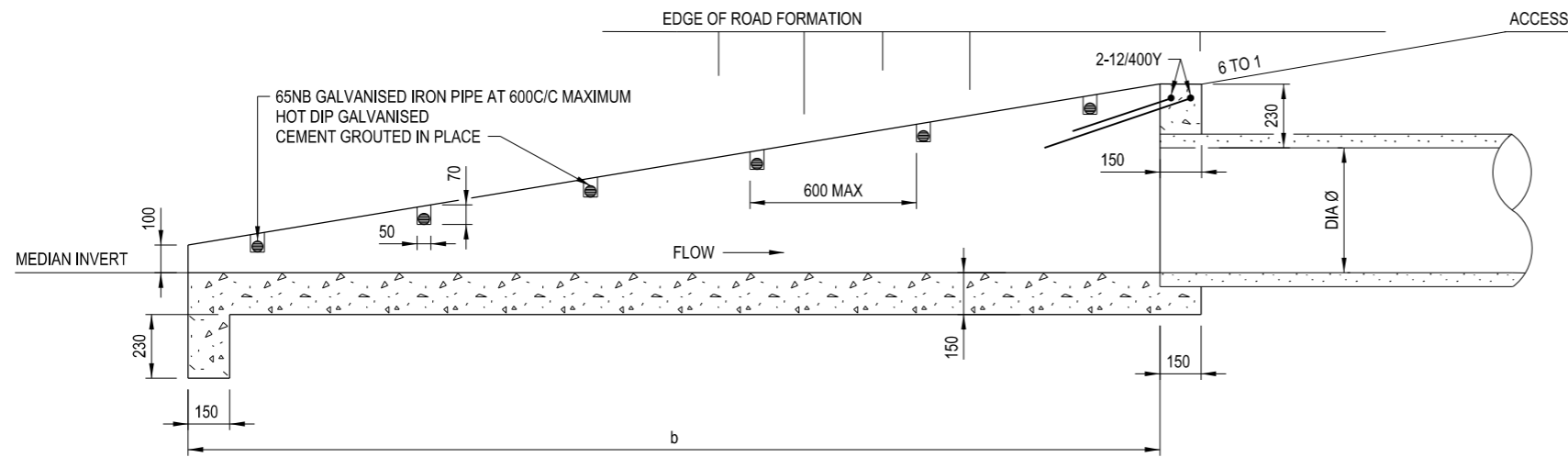
QR CODE	SCAN TO CHECK DOCUMENT VER.	REV	DATE	AMENDMENT / REVISION DESCRIPTION	WVR No.	APPROVAL	ALL DIMENSIONS ARE IN MILLIMETRES UNLESS OTHERWISE SHOWN	CONTACT DETAILS	ISSUED	STANDARD DRAWING No.	REV.
							SCALES ON A3 SIZE DRAWING	SEND FEEDBACK ON THIS STANDARD DRAWING TO : technologystandards@rms.nsw.gov.au	SFR	R0210-25	-
								MANAGER ROAD POLICY, SPECIFICATIONS & TECHNOLOGY	PREPARED BY ENGINEERING SERVICES ROAD POLICY, SPECIFICATIONS AND TECHNOLOGY	STANDARD DRAWING No. R0210-25	REV. -
								DATE 20.01.17	EDMS No. DS2014/005814	ORIGINAL ISSUE DATE JANUARY 2017	



PREPARED BY
ENGINEERING SERVICES
ROAD POLICY, SPECIFICATIONS
AND TECHNOLOGY

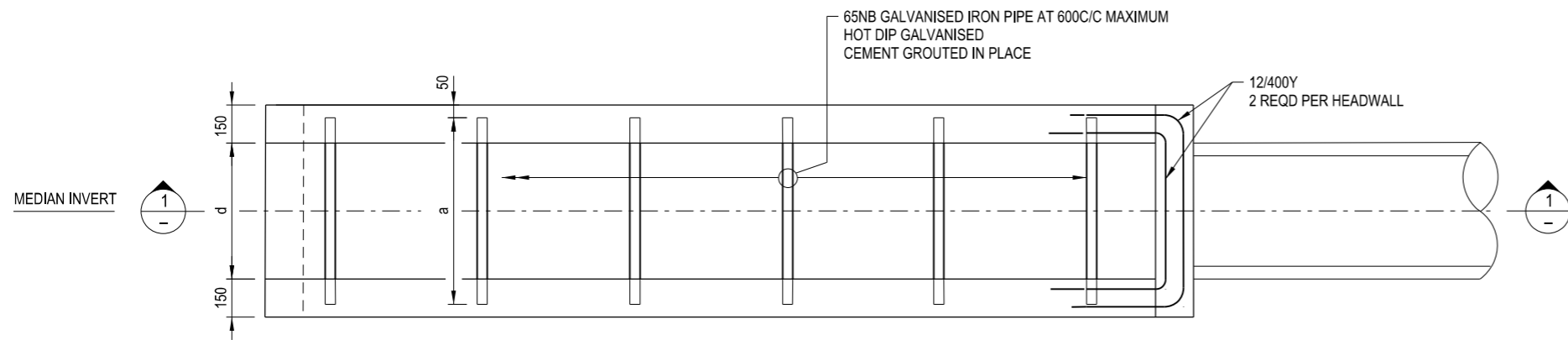
STANDARD DRAWING
ROAD DESIGN ENGINEERING
R0210 STORMWATER DRAINAGE SERIES - HEADWALLS
TAPERED CONCRETE MEDIAN HEADWALL
SHEET 1 OF 2

STANDARD DRAWING No. R0210-25
STATUS ISSUED
EDMS No. DS2014/005814
ORIGINAL ISSUE DATE
JANUARY 2017

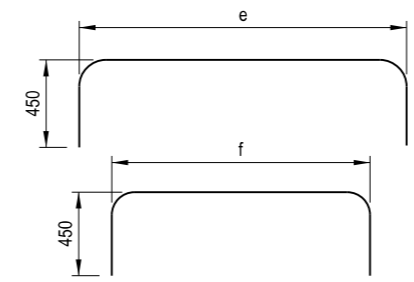


SECTION 1
NOT TO SCALE

ELEVATION



PLAN - Ø525 TO Ø750 SINGLE CELL HEADWALL



BAR SHAPE: 12 / 400Y

DIA Ø	a (mm)	b (mm)	c (mm)	d (mm)	e (mm)	f (mm)
525	820	4 430	920	620	820	720
600	900	4 880	1 000	700	900	800
675	990	5 330	1 090	790	990	890
750	1 070	5 780	1 170	870	1 070	970

NOTES

1. CONCRETE STRENGTH GRADES SHOWN ARE FOR EXPOSURE CLASSIFICATION A2. REFER TO AS3600-2009, FOR CONCRETE STRENGTH GRADE, COVER TO REINFORCEMENT AND FOR OTHER EXPOSURE CLASSIFICATIONS.
2. ALL EXPOSED SURFACES TO BE 25 mm CHAMFER.
3. CONCRETE GRADE N25.

THIS DRAWING MAY BE PREPARED IN COLOUR AND MAY BE INCOMPLETE IF COPIED

ALL DIMENSIONS ARE IN MILLIMETRES UNLESS OTHERWISE SHOWN					ISSUED		Transport Roads & Maritime Services	STANDARD DRAWING ROAD DESIGN ENGINEERING R0210 STORMWATER DRAINAGE SERIES - HEADWALLS TAPERED CONCRETE MEDIAN HEADWALL SHEET 2 OF 2	A3	
QR CODE	SCAN TO CHECK DOCUMENT VER.	REV	DATE	AMENDMENT / REVISION DESCRIPTION	WVR No.	APPROVAL			CONTACT DETAILS	STANDARD DRAWING No. R0210-25
					SEND FEEDBACK ON THIS STANDARD DRAWING TO : technologystandards@rms.nsw.gov.au		SFR MANAGER ROAD POLICY, SPECIFICATIONS & TECHNOLOGY	PREPARED BY ENGINEERING SERVICES ROAD POLICY, SPECIFICATIONS AND TECHNOLOGY	STATUS ISSUED	ORIGINAL ISSUE DATE JANUARY 2017
					DATE 20.01.17		EDMS No. DS2014/005814		© Roads and Maritime Services	