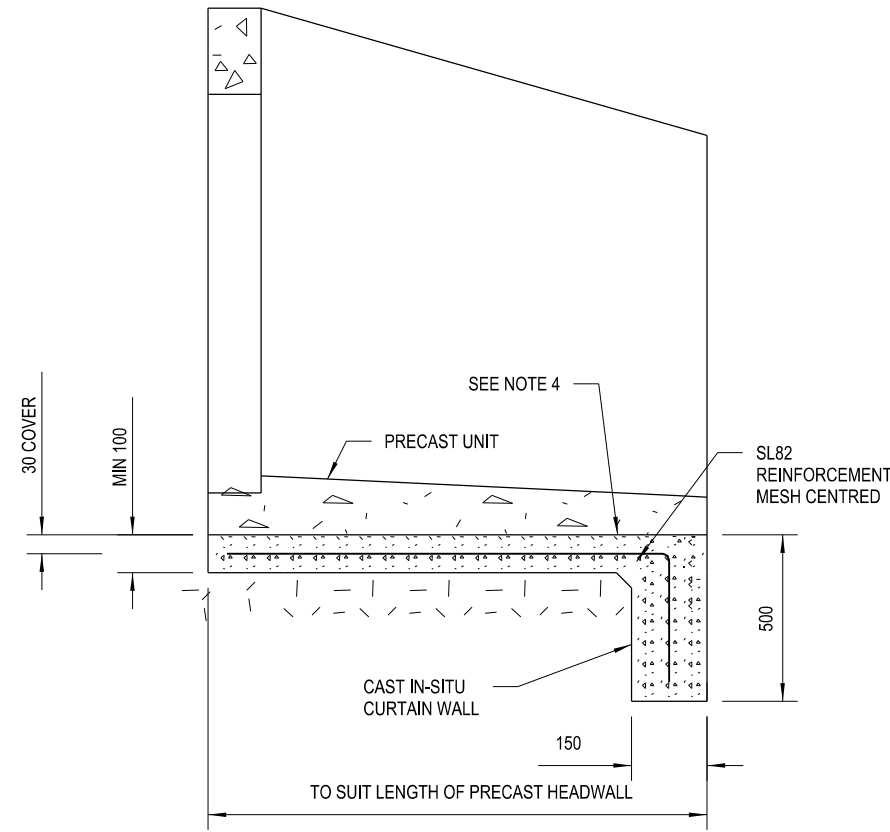
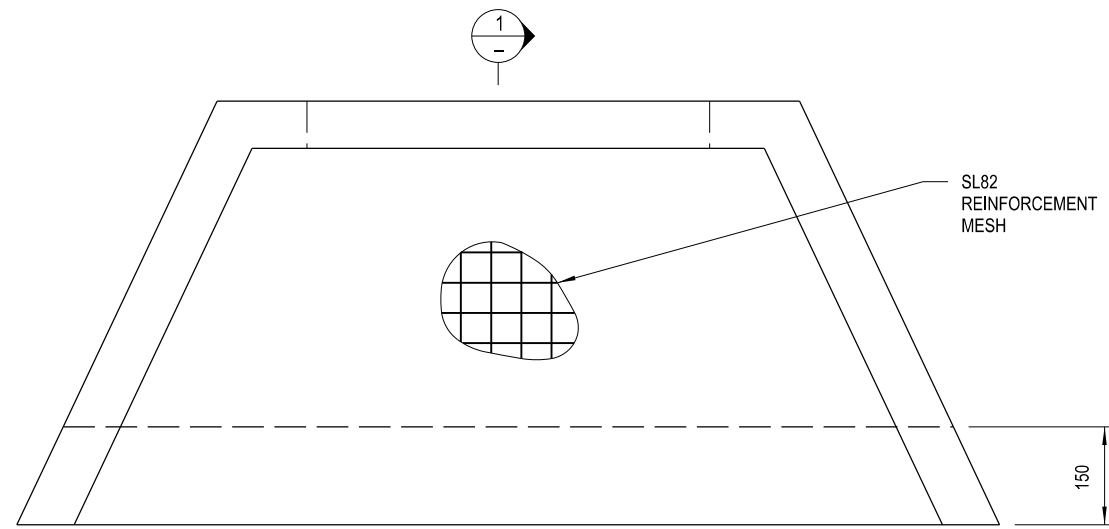


FRONT ELEVATION



SECTION 1
NOT TO SCALE



PLAN

NOTES

1. CONCRETE AS PER QA SPECIFICATION R53.
2. COVER INCLUDING EDGE COVER MUST BE 50 mm UNLESS OTHERWISE SHOWN.
3. REINFORCING STEEL TO BE IN ACCORDANCE WITH AZ/NZS 4671.
4. PRECAST UNIT MUST BE SECURED TO CURTAIN WALL IN ACCORDANCE WITH MANUFACTURER'S DESIGN DOCUMENTATION.
5. CAST IN-SITU SLAB MUST PROVIDE UNIFORM BEARING FOR PRECAST UNIT IN ACCORDANCE WITH THE PRECAST HEADWALL MANUFACTURER'S INSTRUCTIONS.

THIS DRAWING MAY BE PREPARED IN COLOUR AND MAY BE INCOMPLETE IF COPIED

50mm ON A3 SIZE ORIGINAL

QR CODE SCAN TO CHECK DOCUMENT VER.			REV	DATE	AMENDMENT / REVISION DESCRIPTION	WVR No.	APPROVAL	ALL DIMENSIONS ARE IN MILLIMETRES UNLESS OTHERWISE SHOWN	ISSUED	Transport Roads & Maritime Services PREPARED BY ENGINEERING SERVICES ROAD POLICY, SPECIFICATIONS AND TECHNOLOGY	STANDARD DRAWING No. R0210-28	REV.	
								SCALES ON A3 SIZE DRAWING CONTACT DETAILS SEND FEEDBACK ON THIS STANDARD DRAWING TO : technologystandards@rms.nsw.gov.au DATE 20.01.17	SFR MANAGER ROAD POLICY, SPECIFICATIONS & TECHNOLOGY		STANDARD DRAWING No. R0210-28 ROAD DESIGN ENGINEERING R0210 STORMWATER DRAINAGE SERIES - HEADWALLS CAST-IN-SITU CURTAIN WALL FOR USE WITH PRECAST HEADWALLS PIPE DIAMETER UP TO 1 200 mm SHEET 1 OF 1	STATUS ISSUED	EDMS No. DS2014/005820