

NOTES

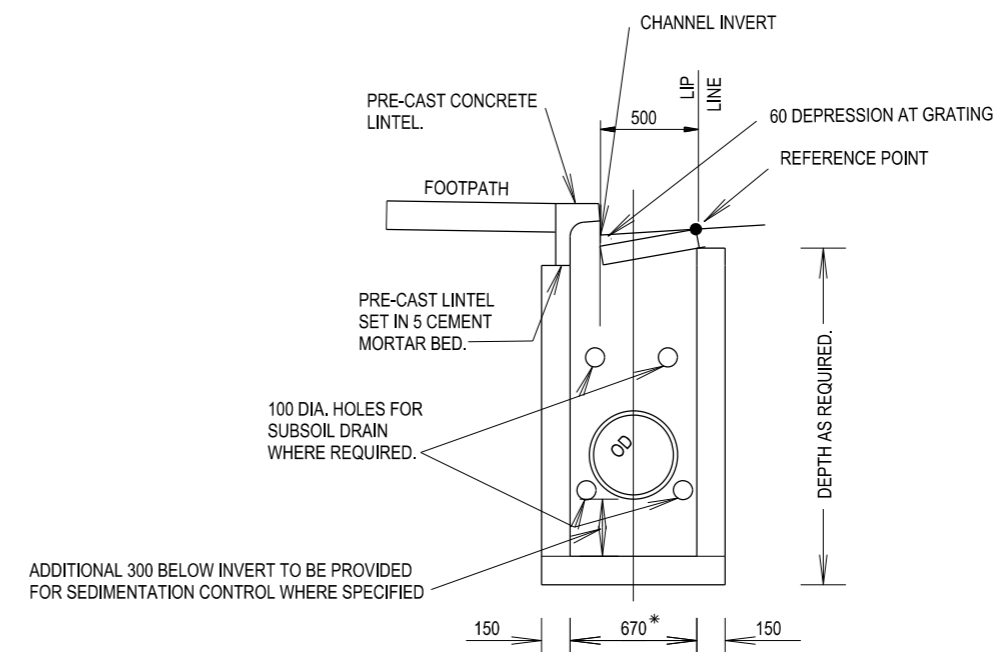
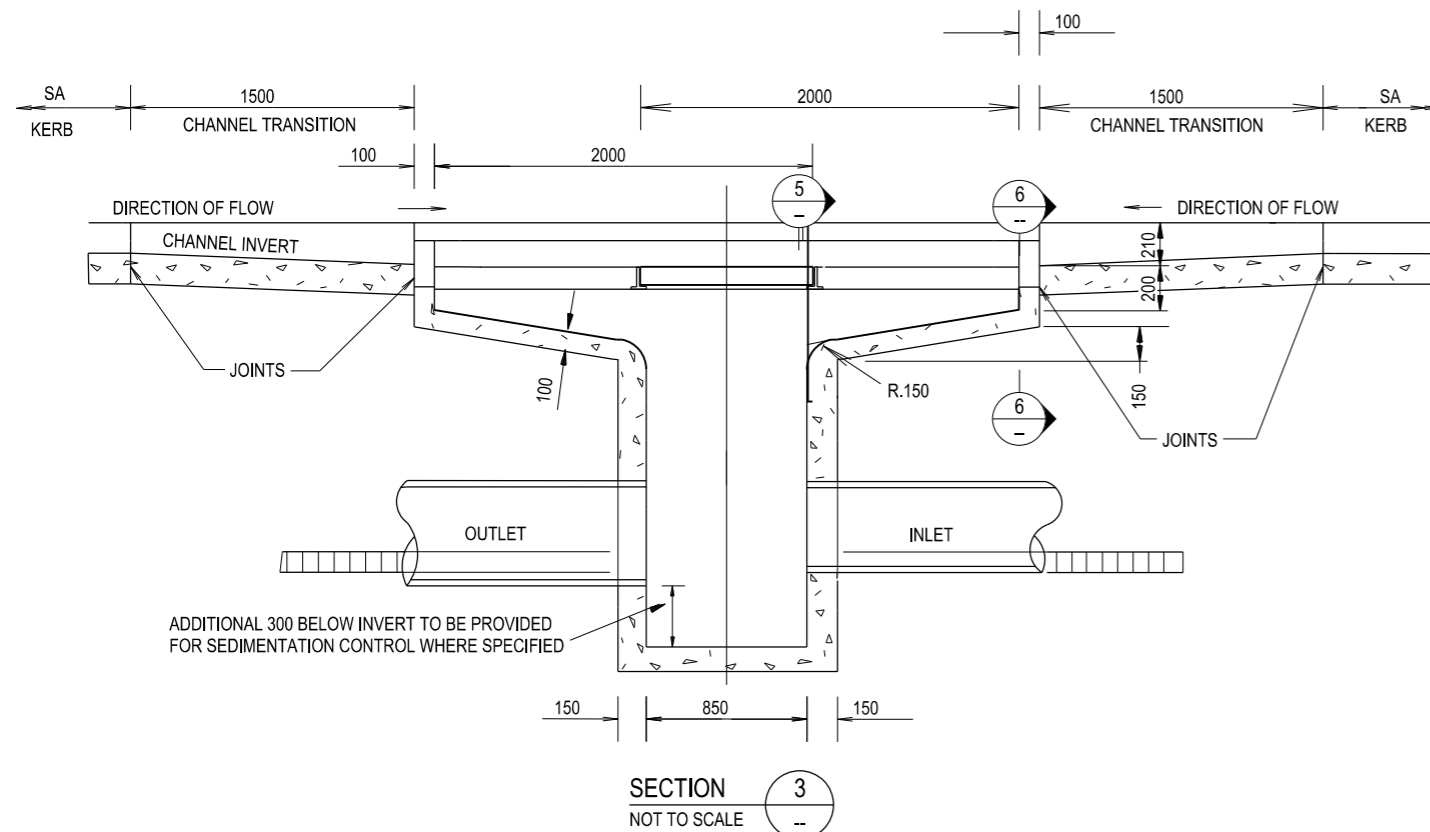
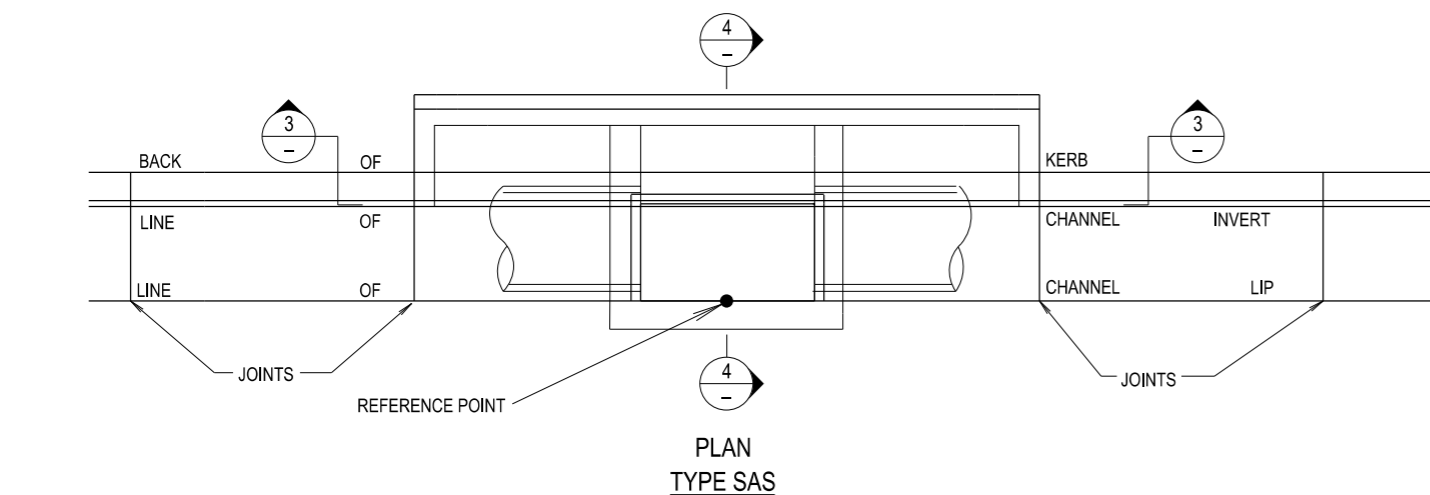
1. CONCRETE GRADE N25.
2. SIDE WALLS OF PITS DEEPER THAN 1500 ARE TO REINFORCED WITH ONE LAYER OF RL1218 MESH RETURNED 300 INTO BASE.
3. PITS DEEPER THAN 600 TO BE FITTED WITH GALVANISED STEP IRONS.
4. ALL EXPOSED EDGES TO BE ROUNDED WITH 20 RADIUS.
5. MINIMUM COVER OF REINFORCEMENT SHALL BE 50 UNLESS SHOWN OTHERWISE.
6. LOCATION AND LEVEL OF GULLY PIT SHOWN IN THE DRAWINGS REFERS TO THIS POINT :- ●
7. FOR DETAILS OF FRAME AND GRATE SEE R0220-04 AND R0220-05.
8. FOR PITS WITH PIPE DIAMETER GREATER THAN 450MM SEE R0220-28.
9. AT RIGHT ANGLE CHANGE IN PIPE DIRECTION, OUTLET INVERT TO BE 150 BELOW INLET INVERT.
10. DEPTH OF PIT NOT TO EXCEED 3500.

THIS DRAWING MAY BE PREPARED IN COLOUR AND MAY BE INCOMPLETE IF COPIED

QR CODE		SCAN TO CHECK DOCUMENT VER.		REV	DATE	AMENDMENT / REVISION DESCRIPTION	WVR No.	APPROVAL	ALL DIMENSIONS ARE IN MILLIMETRES UNLESS OTHERWISE SHOWN		ISSUED	Transport Roads & Maritime Services	STANDARD DRAWING ROAD DESIGN ENGINEERING R0220 STORMWATER DRAINAGE SERIES - GULLY PITS GULLY PIT TYPE SA PIPE DIAMETER UP TO 450 mm SHEET 1 OF 2	A3
				1	27/06/2017	Step irons required in pits deeper than 600mm (Sheet 1)		SFR	CONTACT DETAILS	MANAGER ROAD POLICY, SPECIFICATIONS & TECHNOLOGY	PREPARED BY ENGINEERING SERVICES ROAD POLICY, SPECIFICATIONS AND TECHNOLOGY			
									SEND FEEDBACK ON THIS STANDARD DRAWING TO : technologystandards@rms.nsw.gov.au	DATE 20.01.17	STATUS ISSUED	EDMS No. DS2014/005821	ORIGINAL ISSUE DATE JANUARY 2017	© Roads and Maritime Services

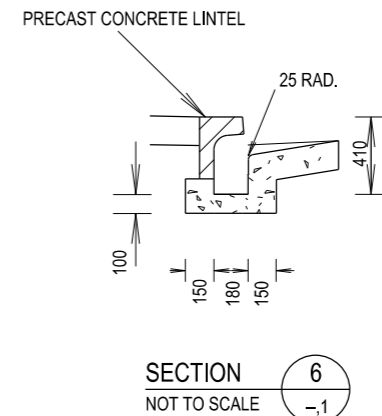
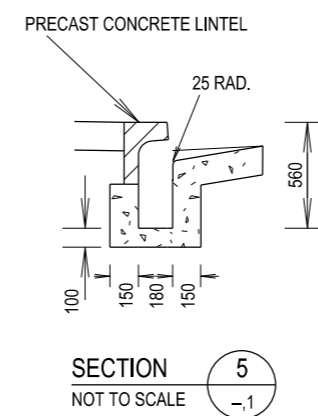
THIS DRAWING MAY BE PREPARED IN COLOUR AND MAY BE INCOMPLETE IF COPIED

50mm ON A3 SIZE ORIGINAL



ADDITIONAL 300 BELOW INVERT TO BE PROVIDED FOR SEDIMENTATION CONTROL WHERE SPECIFIED

* OD +200 FOR PIPES GREATER THAN 450 DIA.



QR CODE				SCALES ON A3 SIZE DRAWING				CONTACT DETAILS		ISSUED		STANDARD DRAWING No. R0220-01			
QR CODE	SCAN TO CHECK DOCUMENT VER.	REV	DATE	AMENDMENT / REVISION DESCRIPTION	WVR No.	APPROVAL	SCALE	CONTACT	ISSUED	SFR	MANAGER ROAD POLICY, SPECIFICATIONS & TECHNOLOGY	STATUS	EDMS No.	ORIGINAL ISSUE DATE	
		1	27/06/2017	Step irons required in pits deeper than 600mm (Sheet 1)		SFR		SEND FEEDBACK ON THIS STANDARD DRAWING TO : technologystandards@rms.nsw.gov.au				ISSUED	DS2014/005821	JANUARY 2017	
ALL DIMENSIONS ARE IN MILLIMETRES UNLESS OTHERWISE SHOWN										DATE 20.01.17		PREPARED BY ENGINEERING SERVICES ROAD POLICY, SPECIFICATIONS AND TECHNOLOGY		REV. 1	



STANDARD DRAWING
ROAD DESIGN ENGINEERING
R0220 STORMWATER DRAINAGE SERIES - GULLY PITS
GULLY PIT TYPE SA PIPE DIAMETER UP TO 450 mm
SHEET 2 OF 2