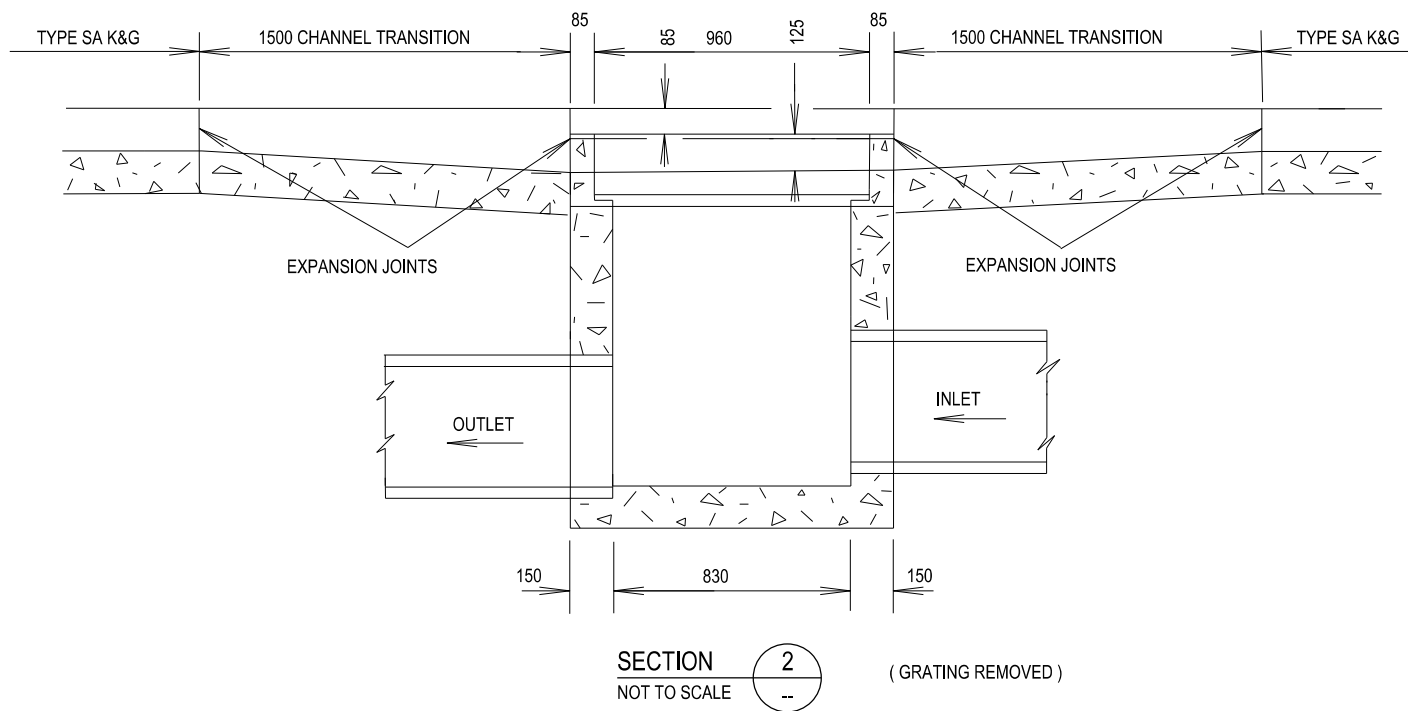
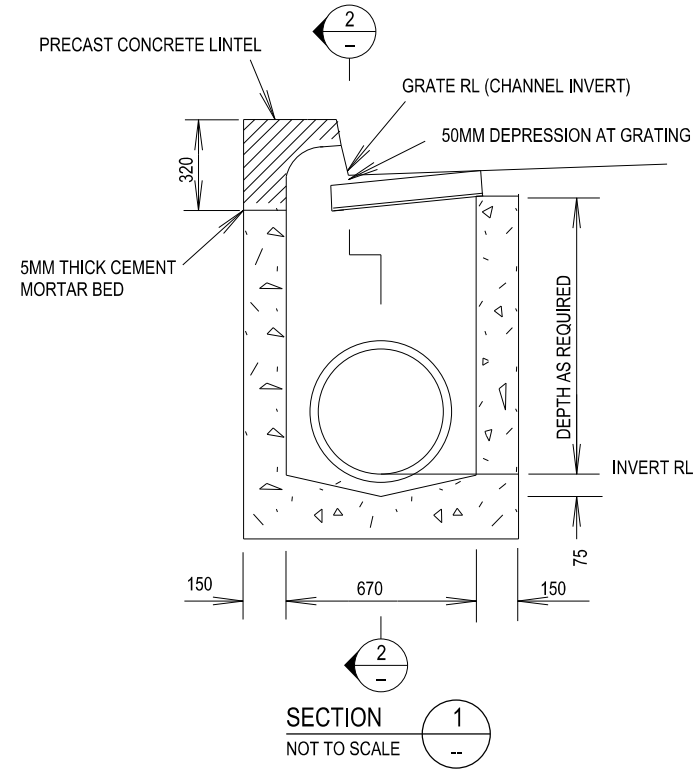
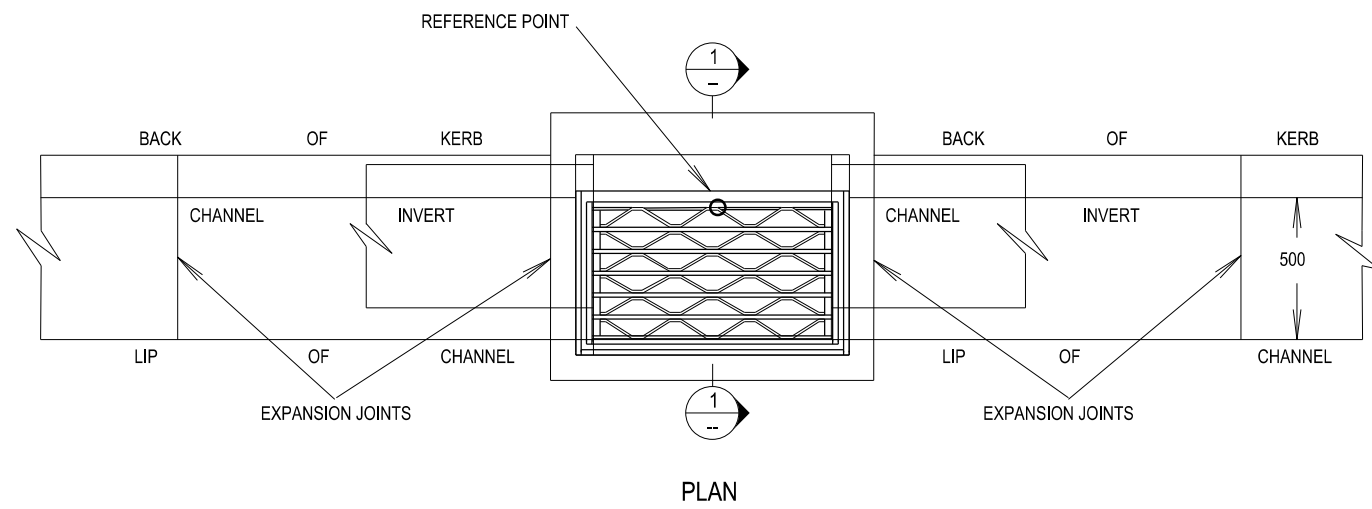


THIS DRAWING MAY BE PREPARED IN COLOUR AND MAY BE INCOMPLETE IF COPIED
50mm ON A3 SIZE ORIGINAL



NOTES

1. (a) CONCRETE STRENGTH N25.
(b) STEEL: HOT DIP GALVANISED IN ACCORDANCE WITH AS4680.
2. PROVIDE SUBSURFACE DRAINS INTO PITS AS REQUIRED.
3. SIDE WALLS OF PITS DEEPER THAN 1 500 TO BE REINFORCED WITH ONE LAYER OF SL52 MESH AND RETURNED INTO BASE.
4. STEP IRONS ARE REQUIRED WHERE PITS ARE DEEPER THAN 1 200.
5. FOR DETAILS OF GRATE AND FRAMES SEE R0220-04 AND R0220-05

ALL DIMENSIONS ARE IN MILLIMETRES UNLESS OTHERWISE SHOWN

QR CODE	REV	DATE	AMENDMENT / REVISION DESCRIPTION	WVR No.	APPROVAL	SCALES ON A3 SIZE DRAWING	CONTACT DETAILS	ISSUED	STANDARD DRAWING No.	REV.
							SEND FEEDBACK ON THIS STANDARD DRAWING TO : technologystandards@rms.nsw.gov.au	SFR	R0220-02	-
							DATE 20.01.17	PREPARED BY ENGINEERING SERVICES ROAD POLICY, SPECIFICATIONS AND AND TECHNOLOGY	EDMS No. DS2014/005822	ORIGINAL ISSUE DATE JANUARY 2017



STANDARD DRAWING
ROAD DESIGN ENGINEERING
R0220 STORMWATER DRAINAGE SERIES - GULLY PITS
GULLY PIT - TYPE SA WITHOUT KERB INLET FOR
SA KERB AND CHANNEL
SHEET 1 OF 1

PREPARED BY
ENGINEERING SERVICES
ROAD POLICY, SPECIFICATIONS AND
AND TECHNOLOGY

STATUS
ISSUED