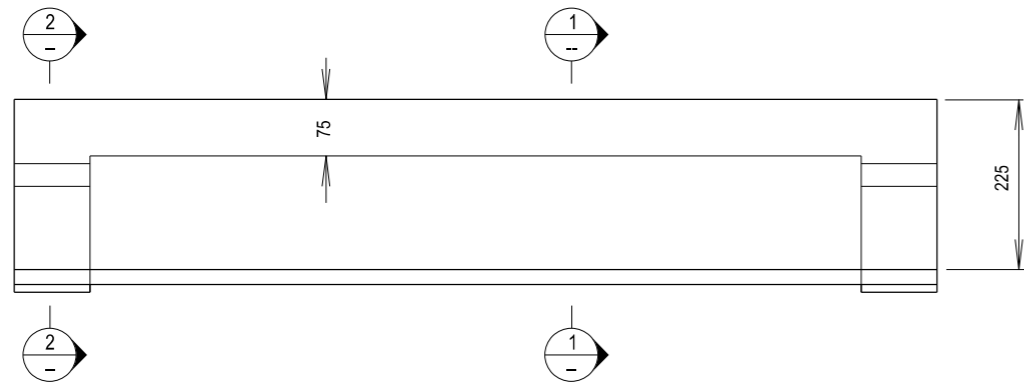
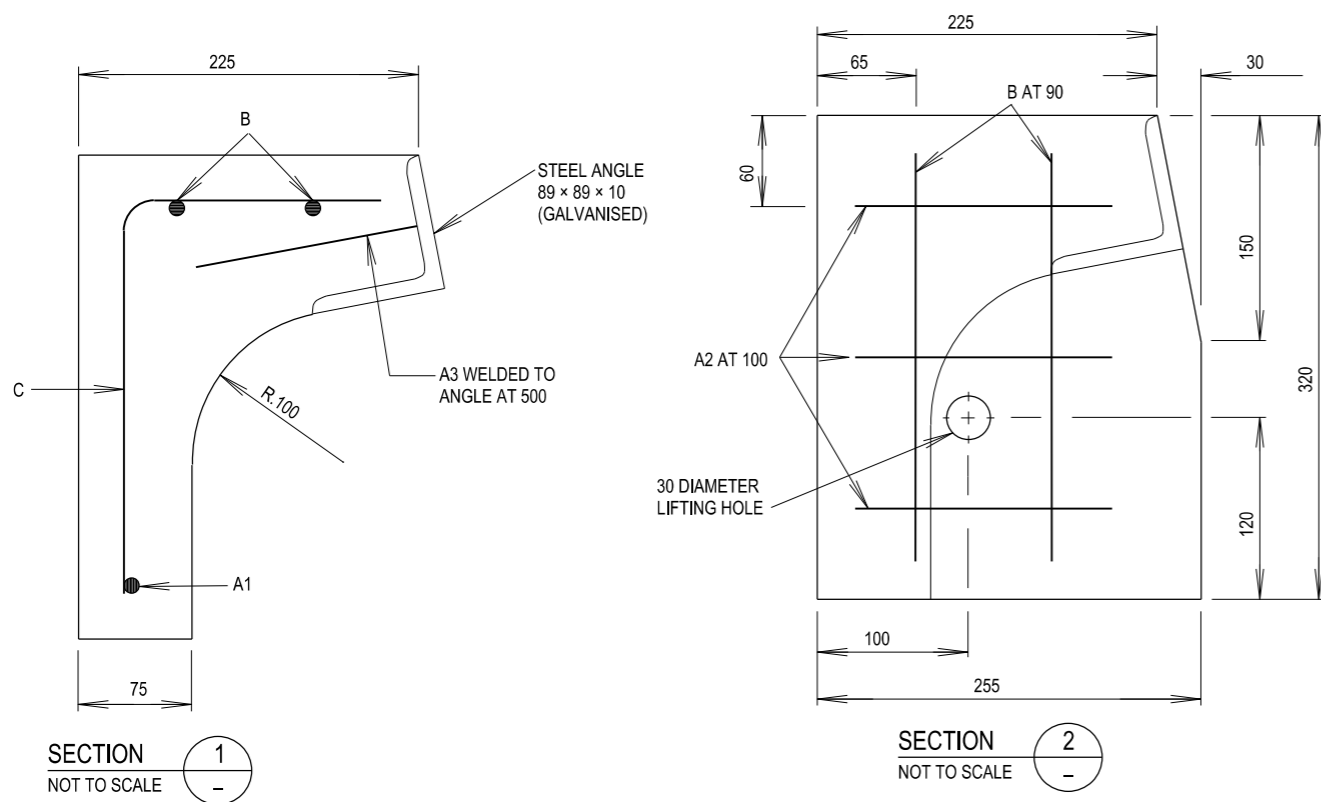


ELEVATION



PLAN



SECTION 1 NOT TO SCALE

SECTION 2 NOT TO SCALE

REINFORCEMENT SCHEDULE

(ALL PLAIN BARS, GRADE 230R)

SHAPE	MARK	DIA mm	L1 mm	LENGTH mm	No. REQ'D	TOTAL LENGTH mm
1 000 LINTEL (SA1)						
A1		16	1 080	1 080	1	1 080
A2		10	170	170	6	1 020
A3		10	150	150	3	450
B		10	1 120	1 570	2	3 140
C		10	170	410	4	1 640
2 000 LINTEL (SA2)						
A1		16	2 110	2 110	1	2 110
A2		10	170	170	6	1 020
A3		10	150	150	5	750
B		10	2 150	2 600	2	5 200
C		10	170	410	7	2 870
3 000 LINTEL (SA3 & SAS)						
A1		16	3 140	3 140	1	3 140
A2		10	170	170	6	1 020
A3		10	150	150	7	1 050
B		10	3 180	3 630	2	7 260
C		10	170	410	11	4 510

- 110 (SA1)
- 125 (SA2)
- 140 (SA3)
- 140 (SAS)

NOTES

1. CONCRETE GRADE N25.
2. CLEAR COVER TO REINFORCEMENT SHALL BE 25 mm UNLESS SHOWN OTHERWISE.
3. EXPOSED SURFACES TO BE OFF-STEEL FORM FINISH OR OF HIGH QUALITY STEEL FLOAT FINISH.
4. ALL EXPOSED EDGES TO BE ROUNDED TO 5 mm FINISH.
5. GALVANISING TO BE IN ACCORDANCE WITH AS4680.

THIS DRAWING MAY BE PREPARED IN COLOUR AND MAY BE INCOMPLETE IF COPIED



QR CODE	SCAN TO CHECK DOCUMENT VER.	REV	DATE	AMENDMENT / REVISION DESCRIPTION	WVR No.	APPROVAL

ALL DIMENSIONS ARE IN MILLIMETRES UNLESS OTHERWISE SHOWN

SCALES ON A3 SIZE DRAWING	CONTACT DETAILS
	SEND FEEDBACK ON THIS STANDARD DRAWING TO : technologystandards@rms.nsw.gov.au

ISSUED	DATE
SFR	20.01.17

MANAGER ROAD POLICY, SPECIFICATIONS & TECHNOLOGY

PREPARED BY
ENGINEERING SERVICES
ROAD POLICY, SPECIFICATIONS AND
AND TECHNOLOGY



STANDARD DRAWING		REV.
ROAD DESIGN ENGINEERING		-
R0220 STORMWATER DRAINAGE SERIES - GULLY PITS		
PRECAST CONCRETE LINTELS FOR TYPE SA KERB		
GULLY PITS		
SHEET 1 OF 1		
STANDARD DRAWING No. R0220-03		
STATUS	EDMS No.	ORIGINAL ISSUE DATE
ISSUED	DS2014/005823	JANUARY 2017