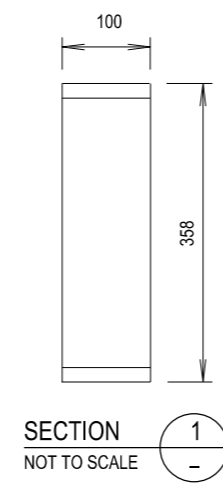
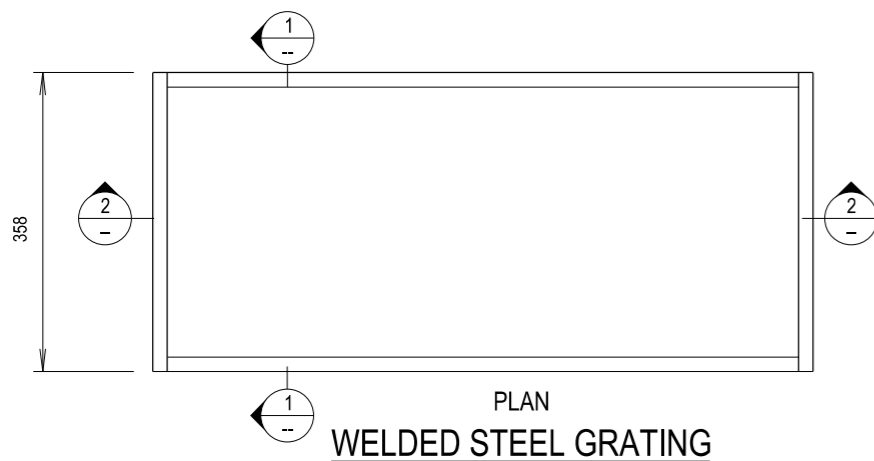
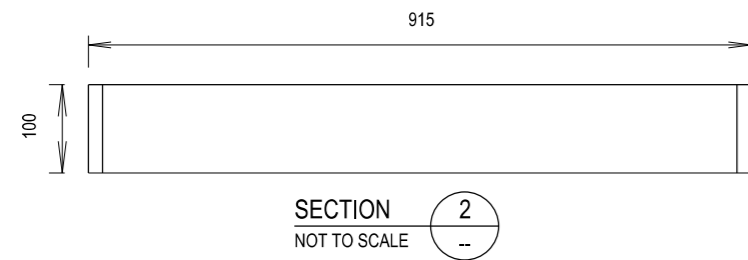
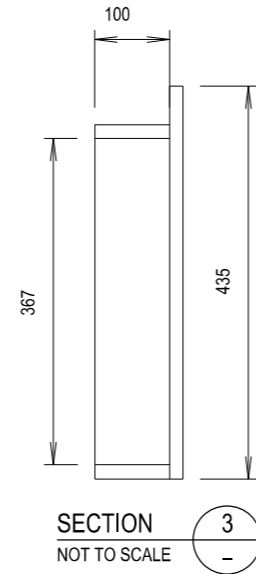
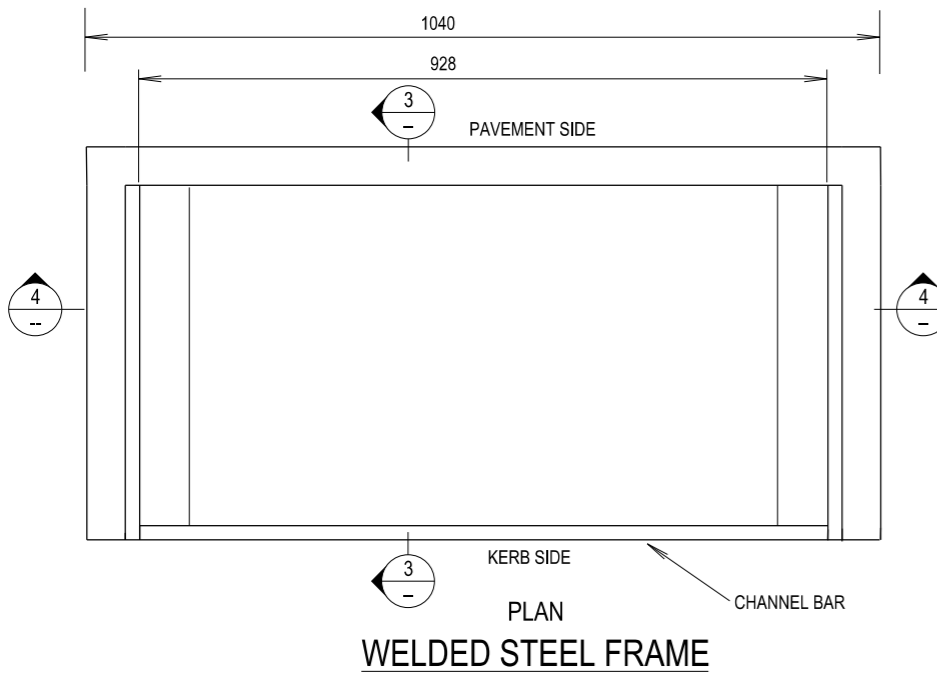
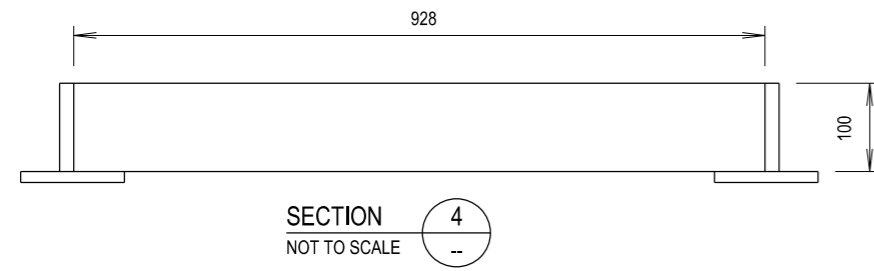




THIS DRAWING MAY BE PREPARED IN COLOUR AND MAY BE INCOMPLETE IF COPIED
50mm ON A3 SIZE ORIGINAL



- NOTES**
1. STEEL GRATES AND FRAMES ARE TO BE FABRICATED FROM MILD STEEL AND HOT DIP GALVANISED.
 2. GRATING PATTERN AND BAR SIZES MAY VARY BUT SHALL BE CLASS D AND BICYCLE SAFE IN ACCORDANCE WITH AS 3996 UNLESS OTHERWISE STATED.

QR CODE 			REV	DATE	AMENDMENT / REVISION DESCRIPTION	WVR No.	APPROVAL	ALL DIMENSIONS ARE IN MILLIMETRES UNLESS OTHERWISE SHOWN	CONTACT DETAILS SEND FEEDBACK ON THIS STANDARD DRAWING TO : technologystandards@rms.nsw.gov.au	ISSUED SFR MANAGER ROAD POLICY, SPECIFICATIONS & TECHNOLOGY DATE 20.01.17	 Transport Roads & Maritime Services	STANDARD DRAWING ROAD DESIGN ENGINEERING R0220 STORMWATER DRAINAGE SERIES - GULLY PITS STANDARD GULLY PIT TYPE SA (small) GRATINGS AND FRAMES SHEET 1 OF 1	A3			
											PREPARED BY ENGINEERING SERVICES ROAD POLICY, SPECIFICATIONS AND AND TECHNOLOGY	STANDARD DRAWING No. R0220-05	STATUS ISSUED	EDMS No. DS2014/005825	ORIGINAL ISSUE DATE JANUARY 2017	REV. -