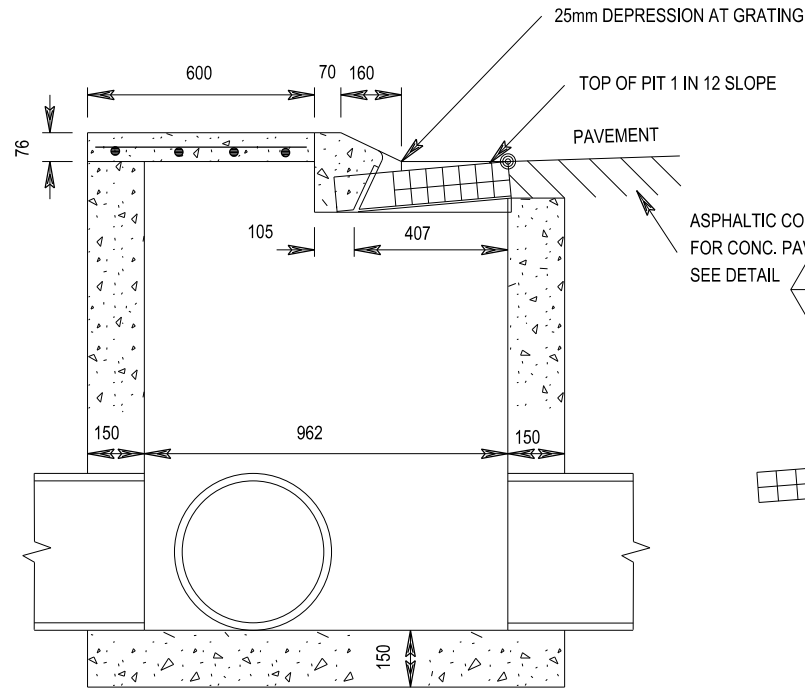
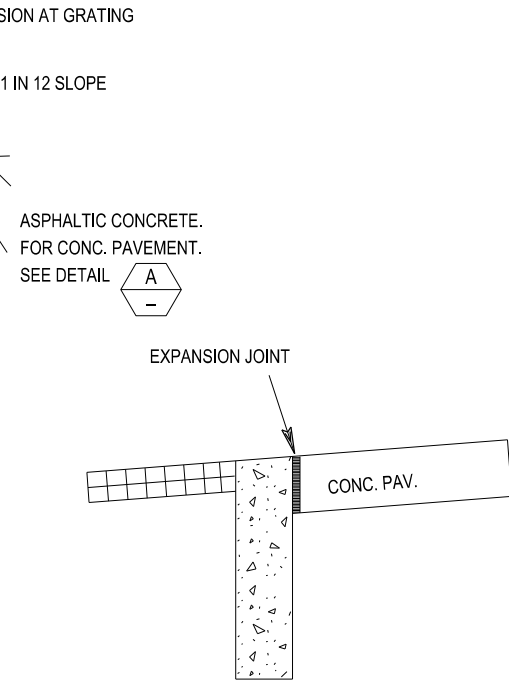


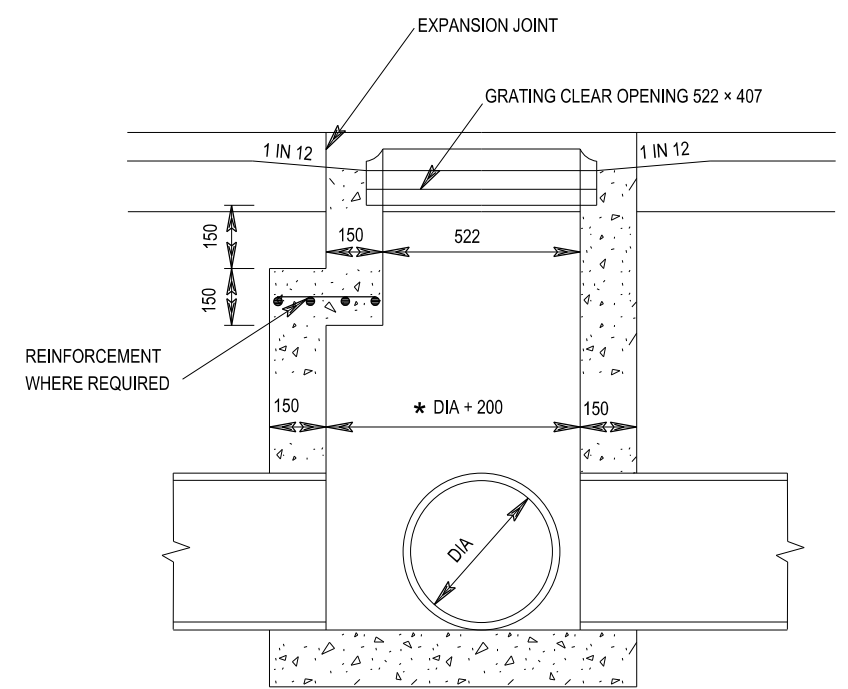
SECTION 1
NOT TO SCALE



SECTION 2
NOT TO SCALE

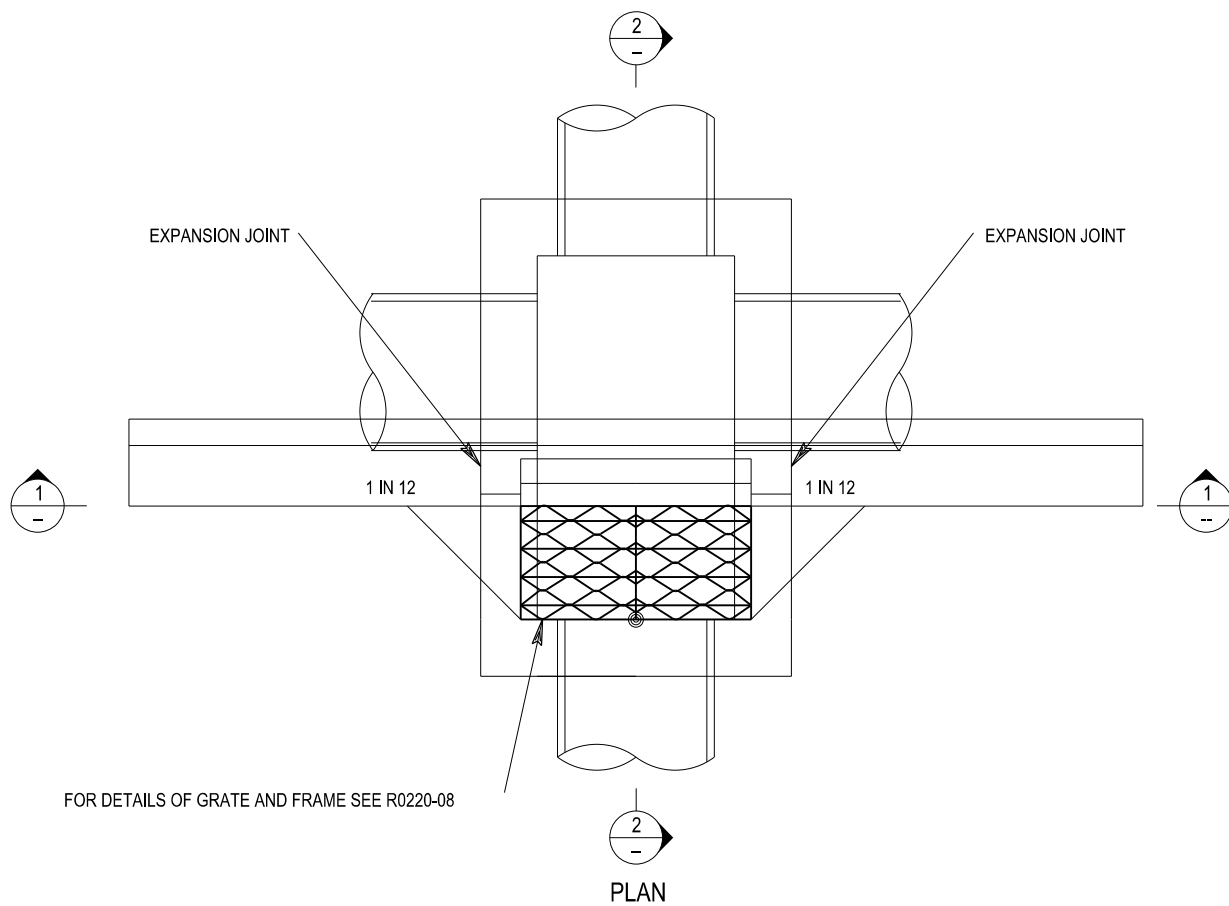


DETAIL A
NOT TO SCALE



SECTION 1
NOT TO SCALE

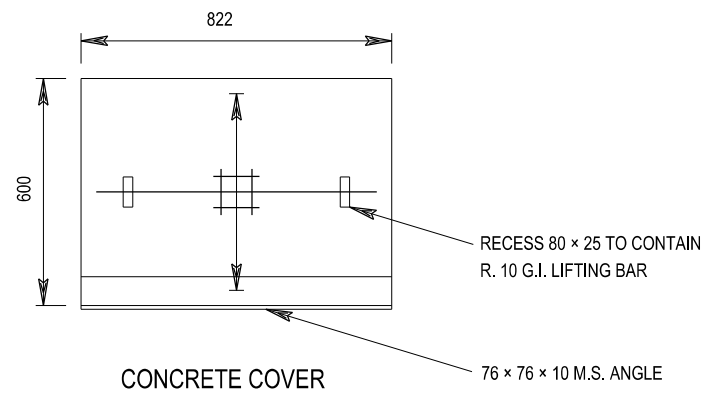
* WHERE PIPE DIA IS 450 OR LARGER



FOR DETAILS OF GRATE AND FRAME SEE R0220-08

PLAN

CONCRETE QUANTITIES					
PIPE DIAMETER (mm)	300	375	450	525	600
QTY FOR MIN DEPTH PIT (m ³)	0.60	0.64	0.69	0.84	0.94
FOR EACH ADDITIONAL 1.0 m DEPTH ADD 0.54 m ³					



CONCRETE COVER

NOTES

1. CONCRETE GRADE N25.
2. SIDE WALLS OF PIT DEEPER THAN 1500 TO BE REINFORCED WITH ONE LAYER OF SL82 MESH RETURNED INTO BASE.
3. LOCATION AND LEVEL OF GULLY PIT SHOWN ON PLANS REFER TO THIS POINT -⊙

THIS DRAWING MAY BE PREPARED IN COLOUR AND MAY BE INCOMPLETE IF COPIED

50mm ON A3 SIZE ORIGINAL

QR CODE			REV			DATE			AMENDMENT / REVISION DESCRIPTION			WVR No.			APPROVAL			ALL DIMENSIONS ARE IN MILLIMETRES UNLESS OTHERWISE SHOWN			CONTACT DETAILS			ISSUED			Transport Roads & Maritime Services			STANDARD DRAWING ROAD DESIGN ENGINEERING R0220 STORMWATER DRAINAGE SERIES - GULLY PITS GULLY PIT TYPE SE			A3		
																		SEND FEEDBACK ON THIS STANDARD DRAWING TO : technologystandards@rms.nsw.gov.au			SFR MANAGER ROAD POLICY, SPECIFICATIONS & TECHNOLOGY			PREPARED BY ENGINEERING SERVICES ROAD POLICY, SPECIFICATIONS AND AND TECHNOLOGY			STANDARD DRAWING No. R0220-06			SHEET 1 OF 1					
																		DATE 20.01.17			EDMS No. DS2014/005826			ORIGINAL ISSUE DATE JANUARY 2017			REV. -								