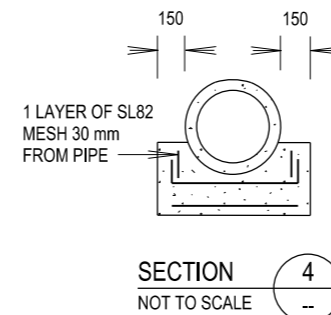
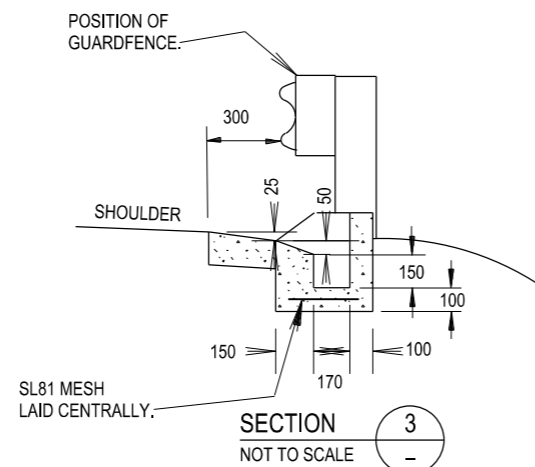
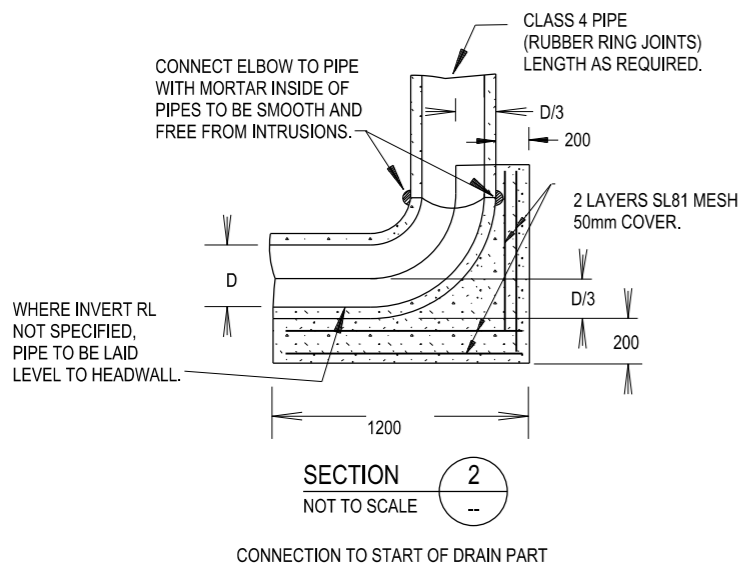
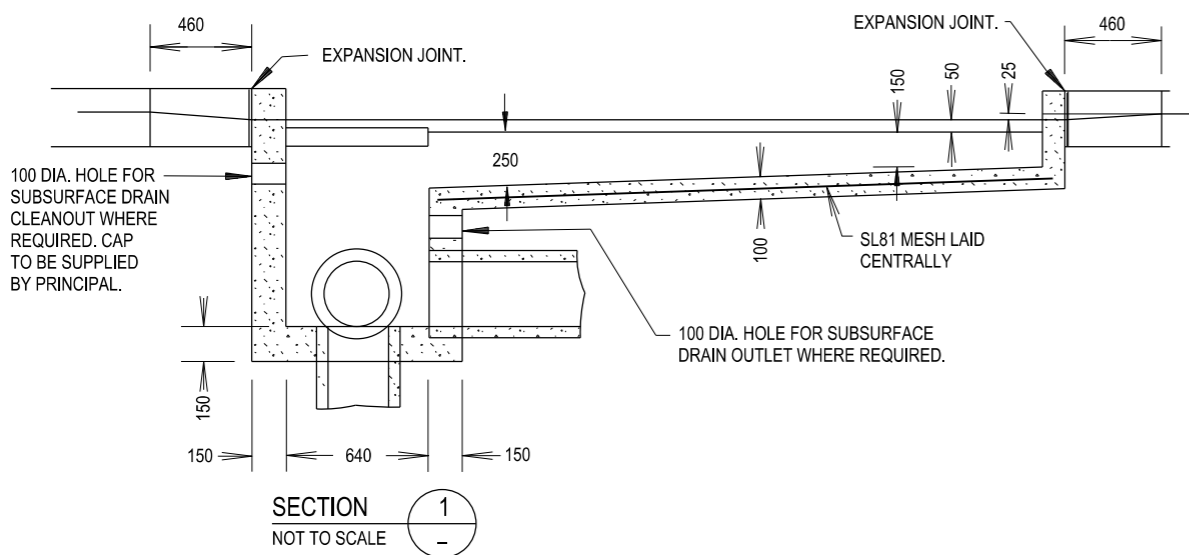
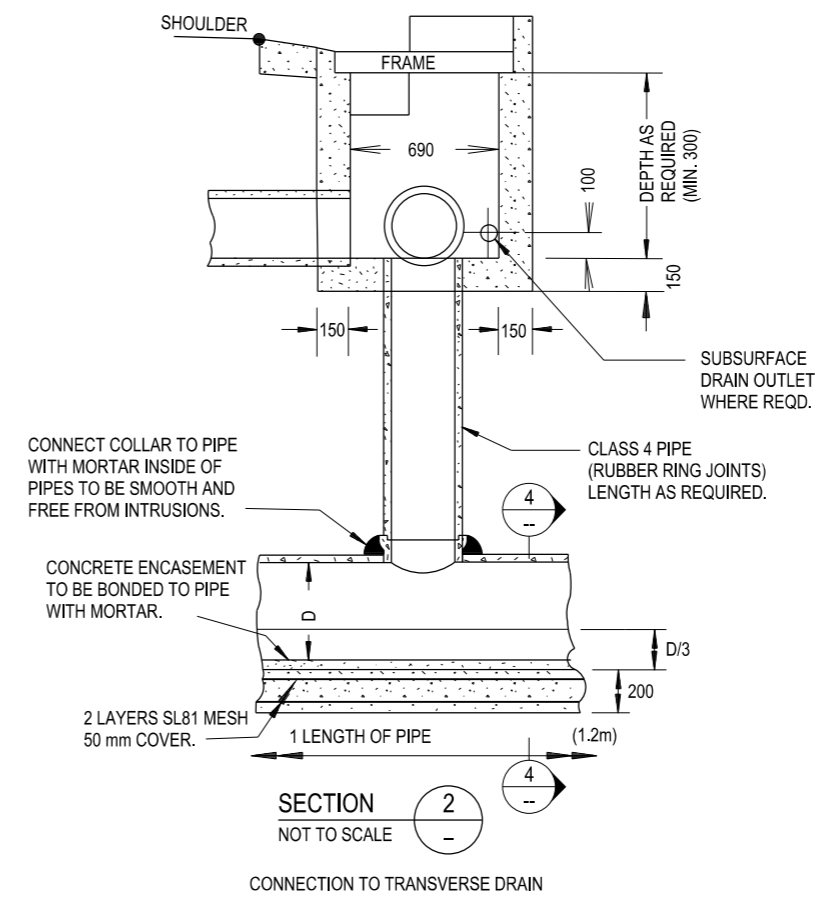
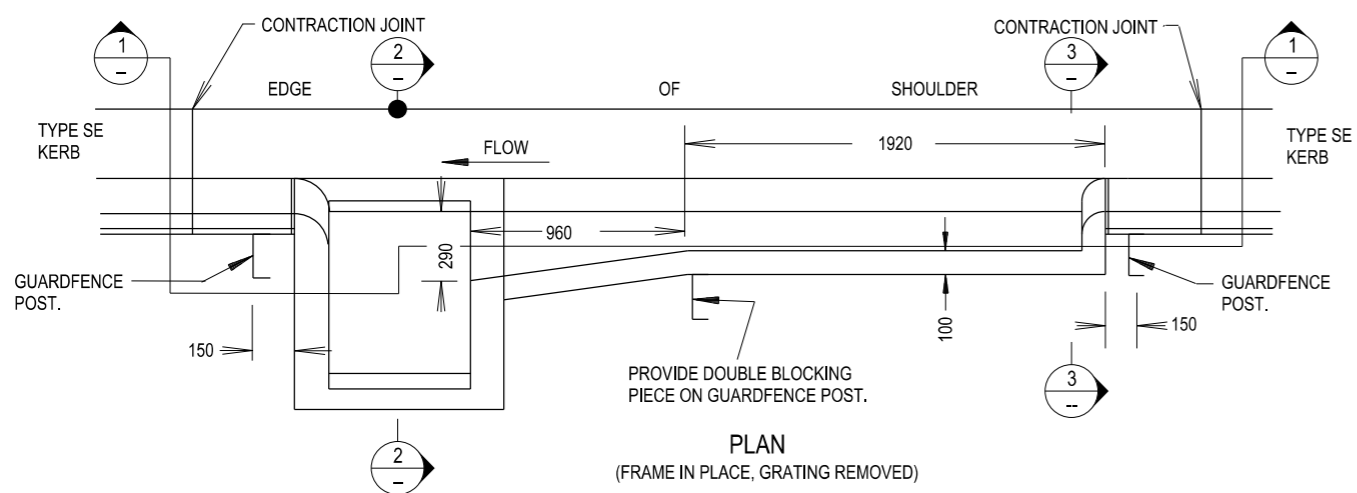


THIS DRAWING MAY BE PREPARED IN COLOUR AND MAY BE INCOMPLETE IF COPIED



NOTES

1. CONCRETE GRADE N25.
2. LOCATION AND LEVEL OF GULLY PIT SHOWN IN THE DRAWINGS REFER TO THIS POINT: ●
3. SIDE WALLS OF ALL PITS DEEPER THAN 1500 ARE TO BE REINFORCED WITH ONE LAYER OF SL81 MESH RETURNED 300 TO BASE.
4. DEPTH OF PIT NOT TO EXCEED 3500.
5. PITS DEEPER THAN 1200 TO BE FITTED WITH GALVANISED STEP IRONS.
6. ALL EXPOSED EDGES TO BE ROUNDED WITH 20 RADIUS.
7. FOR PIPES GREATER THAN 450 DIA. REFER TO R0220-28.

ALL DIMENSIONS ARE IN MILLIMETRES UNLESS OTHERWISE SHOWN

QR CODE	SCAN TO CHECK DOCUMENT VER.	REV	DATE	AMENDMENT / REVISION DESCRIPTION	WVR No.	APPROVAL	SCALES ON A3 SIZE DRAWING	CONTACT DETAILS	ISSUED	MANAGER ROAD POLICY, SPECIFICATIONS & TECHNOLOGY	DATE	PREPARED BY	STANDARD DRAWING No.	REV.
								SEND FEEDBACK ON THIS STANDARD DRAWING TO : technologystandards@rms.nsw.gov.au	SFR		20.01.17	ENGINEERING SERVICES ROAD POLICY, SPECIFICATIONS AND AND TECHNOLOGY	R0220-07	-
													STATUS ISSUED	EDMS No. DS2014/005827



PREPARED BY
ENGINEERING SERVICES
ROAD POLICY, SPECIFICATIONS AND
AND TECHNOLOGY

STANDARD DRAWING
ROAD DESIGN ENGINEERING
R0220 STORMWATER DRAINAGE SERIES - GULLY PITS
STANDARD GULLY PIT SE 2 FOR TYPE SE KERB
ADJACENT TO CONCRETE PAVEMENT SHEET 1 OF 1