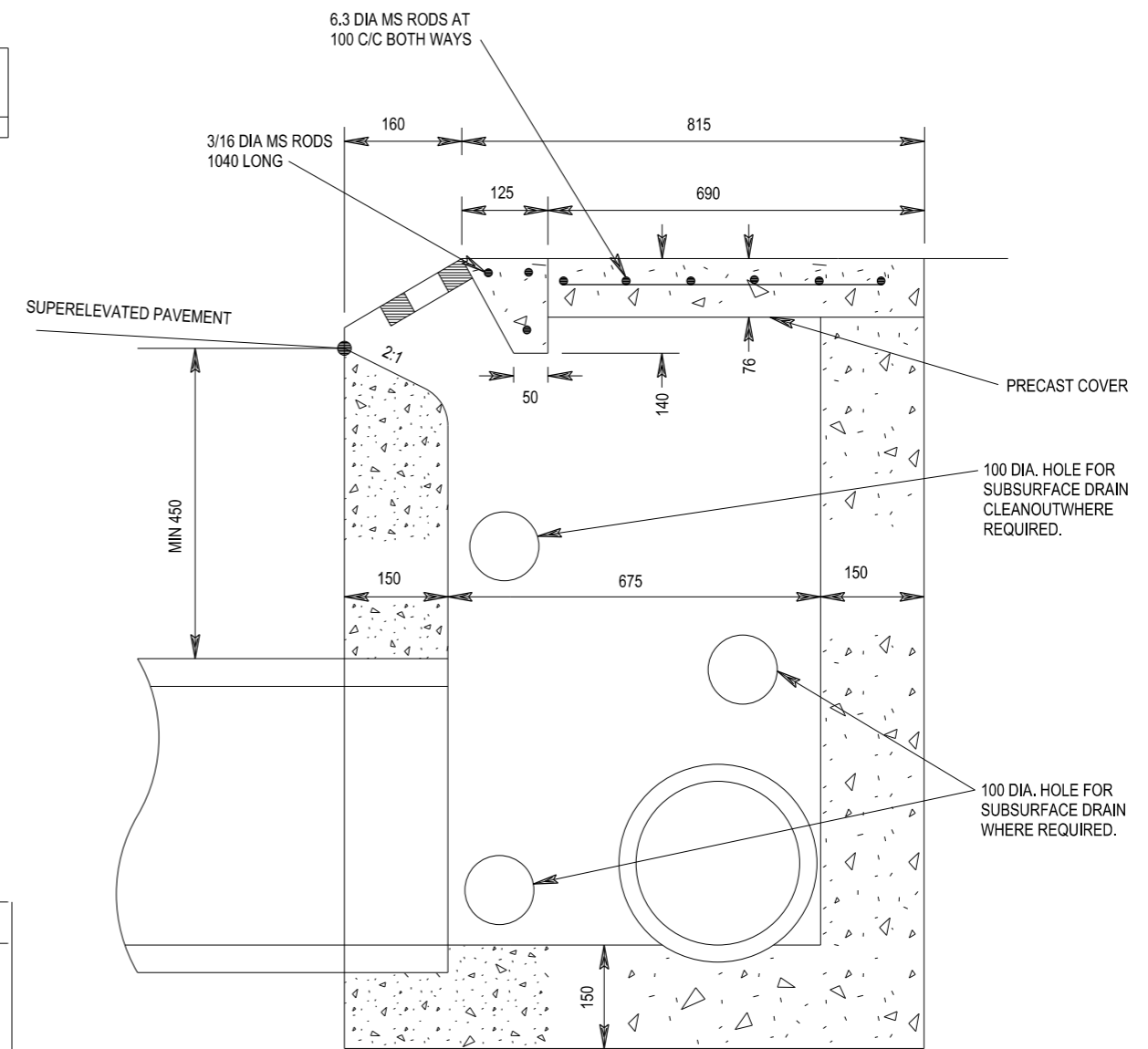
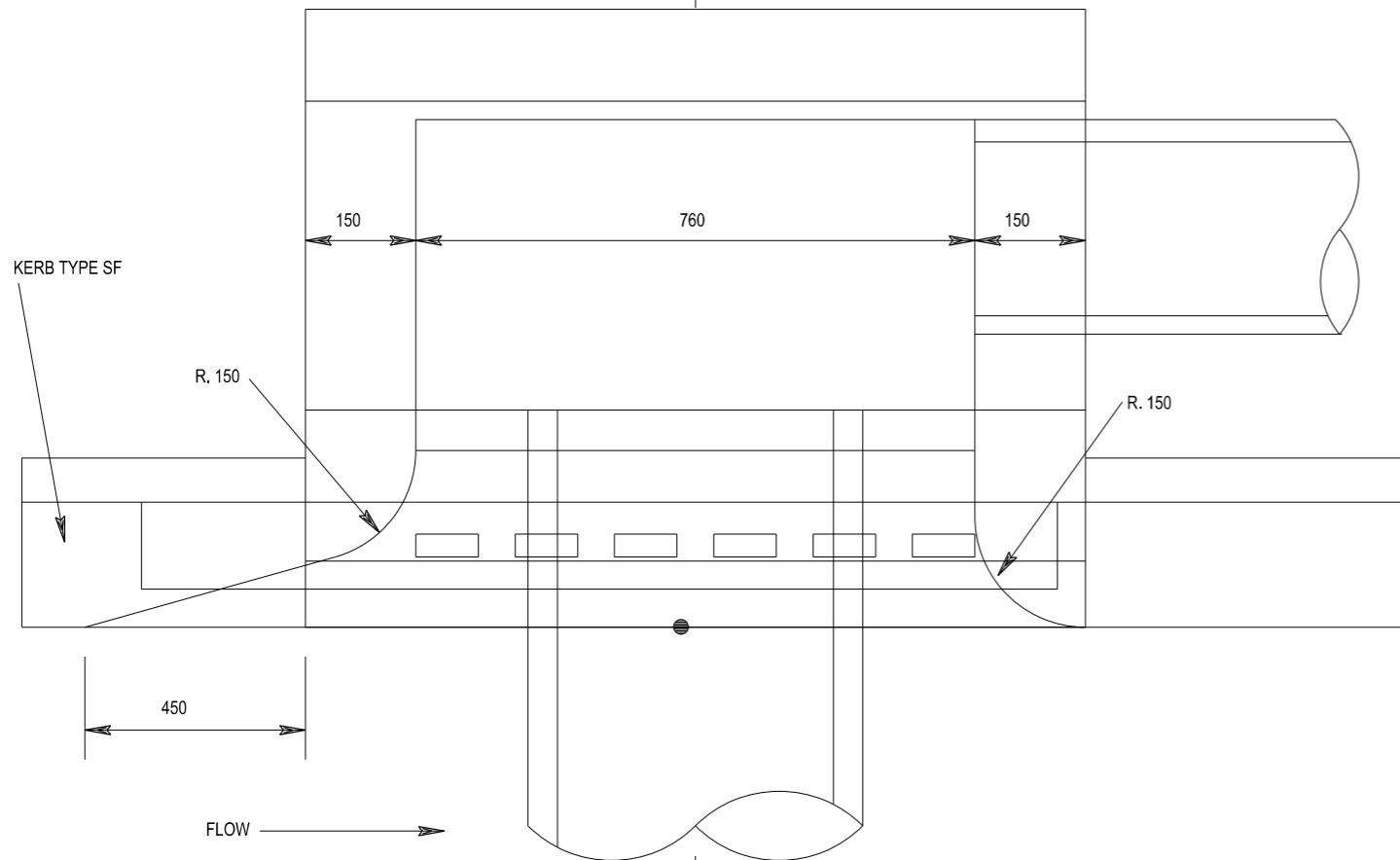


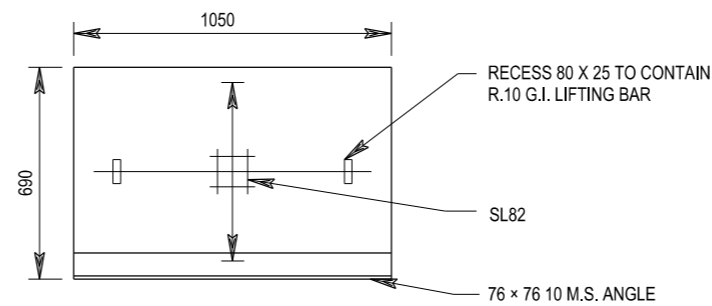
ELEVATION OF INLET



SECTION 1  
NOT TO SCALE



PLAN WITH COVER AND GRILLE REMOVED



CONCRETE COVER

NOTES

1. CONCRETE GRADE N25.
2. LOCATION AND LEVEL OF GULLY PIT SHOWN IN THE DRAWINGS REFER TO THIS POINT: ●
3. SIDE WALLS OF ALL PITS DEEPER THAN 1 500 ARE TO BE REINFORCED WITH ONE LAYER OF SL82 MESH RETURNED 300 TO BASE.
4. DEPTH OF PIT NOT TO EXCEED 3 500.
5. PITS DEEPER THAN 1 200 TO BE FITTED WITH GALVANISED STEP IRONS.
6. ALL EXPOSED EDGES TO BE ROUNDED WITH 20 RADIUS.
7. FOR PIPES GREATER THAN 450 DIA. REFER TO R0220-28.
8. SURFACE OF PRECAST COVER TO BE FINISHED WITH MATERIALS AND METHOD SIMILAR TO THAT SPECIFIED FOR MEDIAN PAVING.

THIS DRAWING MAY BE PREPARED IN COLOUR AND MAY BE INCOMPLETE IF COPIED

QR CODE		SCAN TO CHECK DOCUMENT VER.		REV	DATE	AMENDMENT / REVISION DESCRIPTION	WVR No.	APPROVAL	ALL DIMENSIONS ARE IN MILLIMETRES UNLESS OTHERWISE SHOWN		ISSUED	<b>Transport Roads &amp; Maritime Services</b>	<b>STANDARD DRAWING</b> ROAD DESIGN ENGINEERING R0220 STORMWATER DRAINAGE SERIES - GULLY PITS GULLY PIT TYPE SF	SHEET 1 OF 1 REV. -	
									SCALES ON A3 SIZE DRAWING CONTACT DETAILS SEND FEEDBACK ON THIS STANDARD DRAWING TO : technologystandards@rms.nsw.gov.au	SFR MANAGER ROAD POLICY, SPECIFICATIONS & TECHNOLOGY DATE 20.01.17	PREPARED BY ENGINEERING SERVICES ROAD POLICY, SPECIFICATIONS AND AND TECHNOLOGY				STANDARD DRAWING No. <b>R0220-09</b>