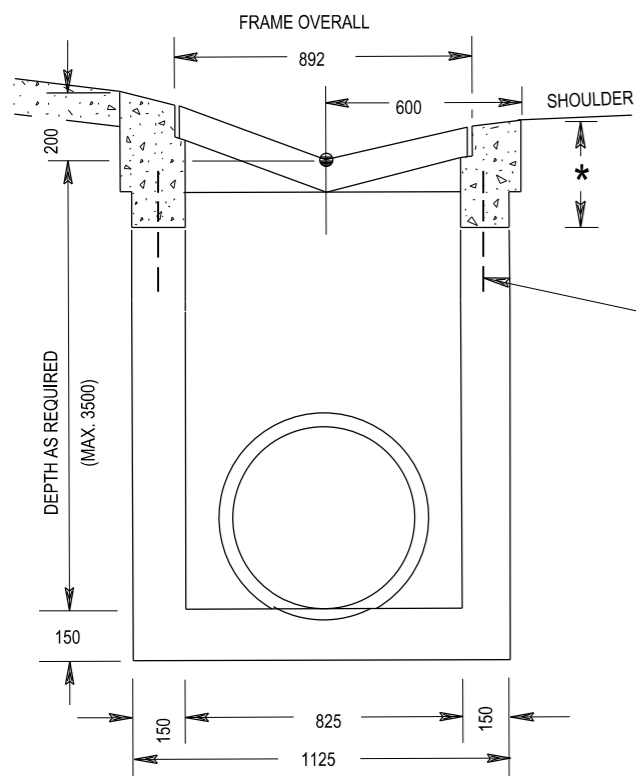
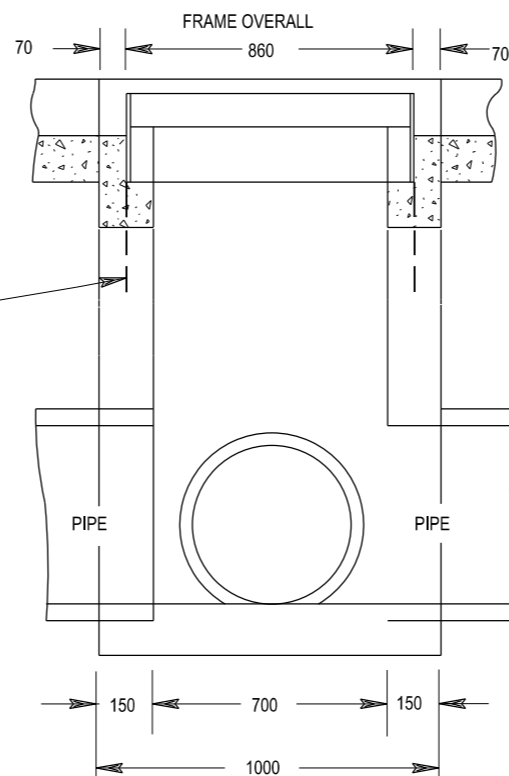


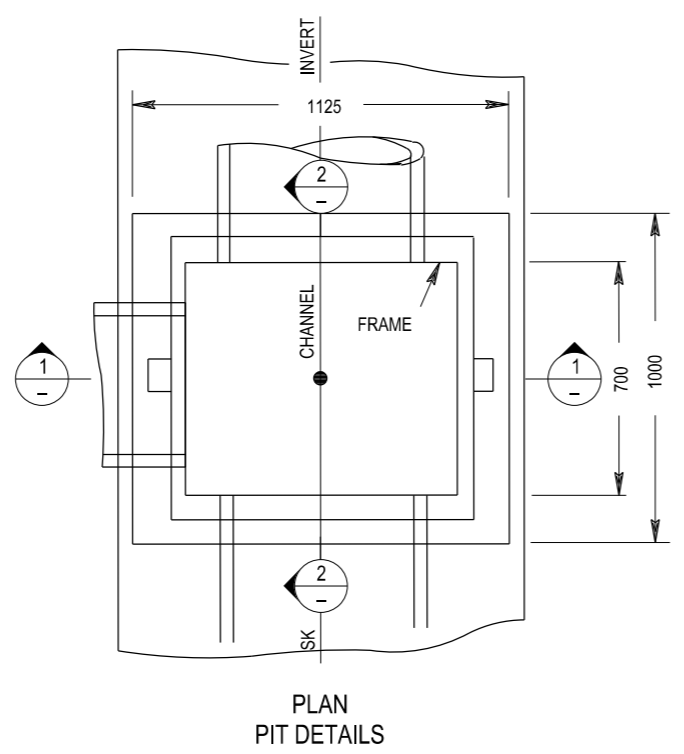
THIS DRAWING MAY BE PREPARED IN COLOUR AND MAY BE INCOMPLETE IF COPIED



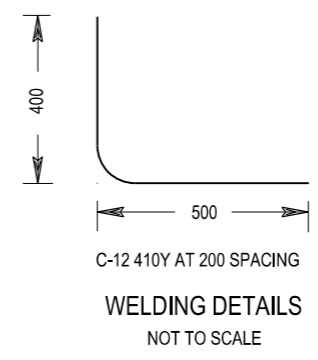
SECTION 1
NOT TO SCALE
FOR PIPES ≤ 525 mm I.D.



SECTION 2
NOT TO SCALE
FOR PIPES ≤ 450 mm I.D.



PLAN PIT DETAILS



- NOTES**
1. ALL EXPOSED EDGES TO BE ROUNDED WITH 20 mm RADIUS.
 2. LOCATION AND CHANNEL LEVEL OF GULLY PIT IN PLANS REFER TO THIS POINT: ●
 3. ★ CONCRETE PAVEMENT DEPTH AS SHOWN ON CONSTRUCTION PLANS.
 4. FOR DETAILS OF GRATE AND FRAME SEE R0220-19.

QR CODE			SCAN TO CHECK DOCUMENT VER.			REV			DATE			AMENDMENT / REVISION DESCRIPTION			WVR No.			APPROVAL			ALL DIMENSIONS ARE IN MILLIMETRES UNLESS OTHERWISE SHOWN			SCALES ON A3 SIZE DRAWING			CONTACT DETAILS			ISSUED			SFR			MANAGER ROAD POLICY, SPECIFICATIONS & TECHNOLOGY			DATE 20.01.17			PREPARED BY ENGINEERING SERVICES ROAD POLICY, SPECIFICATIONS AND AND TECHNOLOGY			NSW GOVERNMENT Transport Roads & Maritime Services			STANDARD DRAWING ROAD DESIGN ENGINEERING R0220 STORMWATER DRAINAGE SERIES - GULLY PITS STANDARD GULLY PIT TYPE SK1 (Stage 2) SHEET 1 OF 1			A3		
SEND FEEDBACK ON THIS STANDARD DRAWING TO : technologystandards@rms.nsw.gov.au			DATE 20.01.17			STANDARD DRAWING No. R0220-15			STATUS ISSUED			EDMS No. DS2014/005835			ORIGINAL ISSUE DATE JANUARY 2017			REV. -																																			