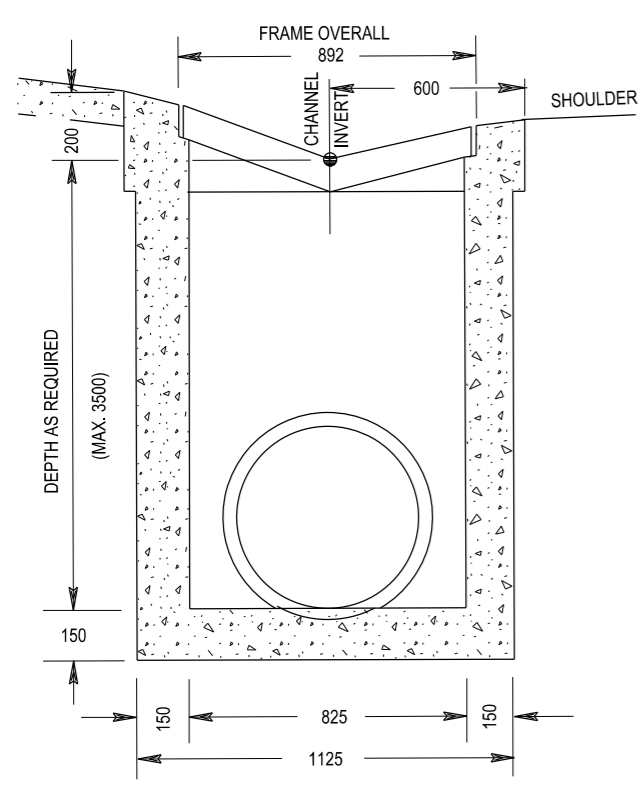
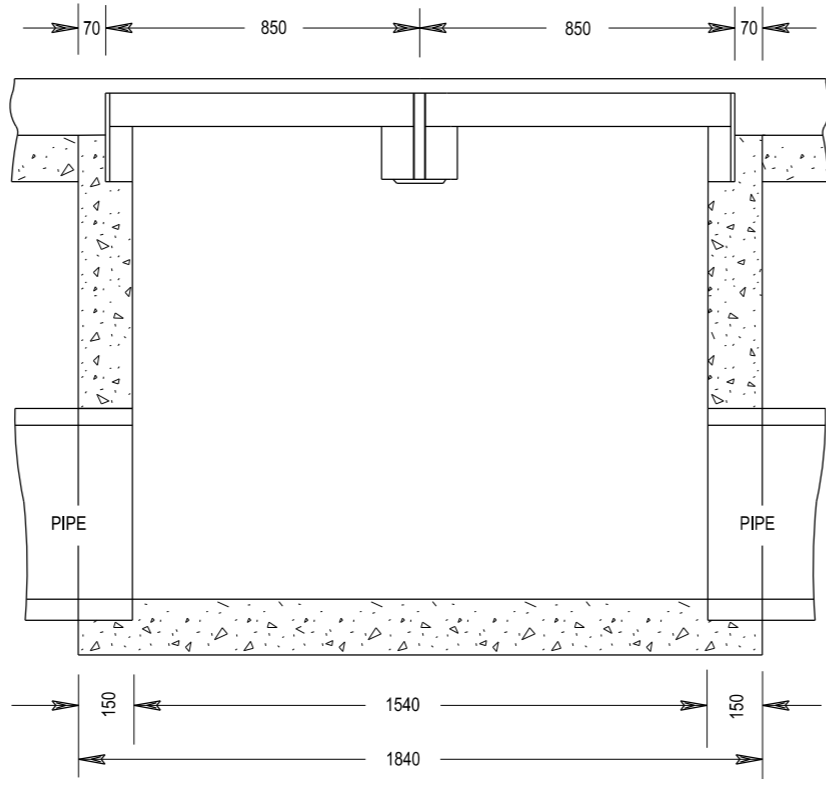


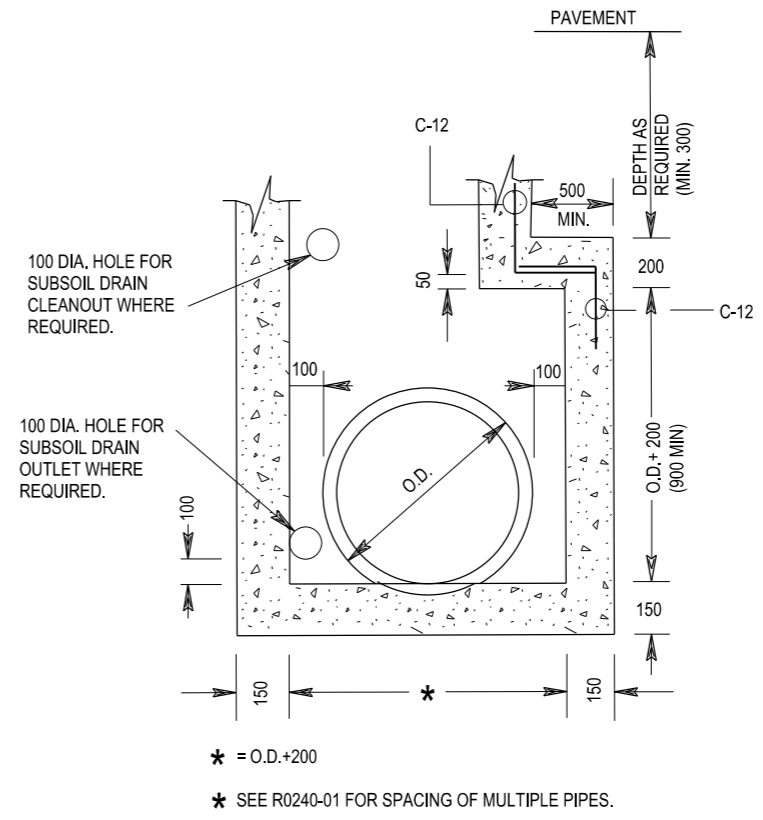
THIS DRAWING MAY BE PREPARED IN COLOUR AND MAY BE INCOMPLETE IF COPIED
50mm ON A3 SIZE ORIGINAL



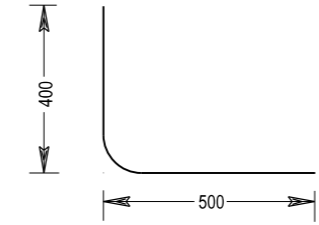
SECTION 1
NOT TO SCALE
FOR PIPES ≤ 525 mm I.D.



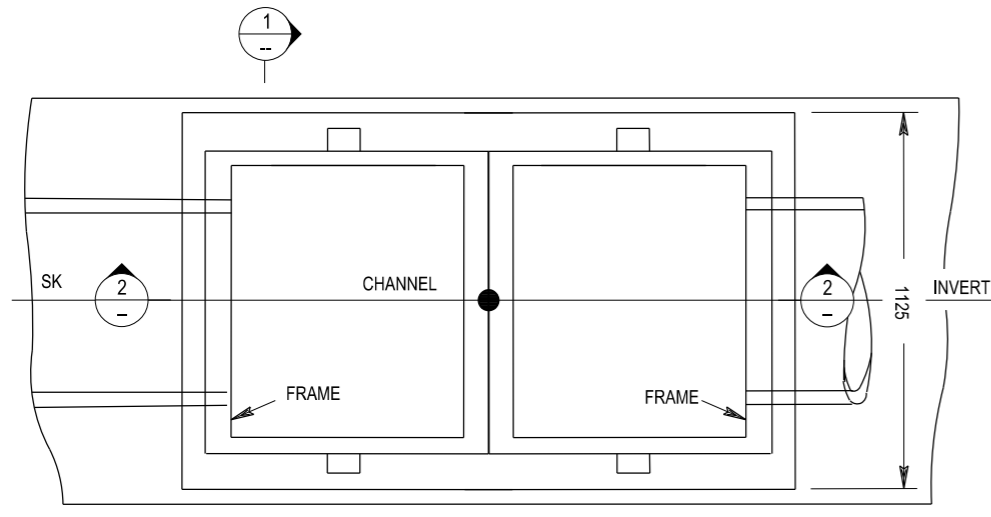
SECTION 2
NOT TO SCALE
FOR PIPES ≤ 450 mm I.D.



LARGE OR MULTIPLE PIPES



WELDING DETAILS
NOT TO SCALE



PLAN PIT DETAILS

- NOTES**
1. CONCRETE STRENGTH GRADE SHALL BE N25.
 2. SIDE WALLS OF ALL PITS DEEPER THAN 1500 mm ARE TO BE REINFORCED WITH ONE LAYER OF SL82 MESH RETURNED 200 MINIMUM INTO BASE.
 3. DEPTH OF PIT NOT TO EXCEED 3500 MM (SPECIAL DESIGN REQUIRED).
 4. GRATING PATTERNS AND BAR SIZES MAY VARY BUT GRATE SHALL BE CLASS D AND BICYCLE SAFE IN ACCORDANCE WITH AS2996 UNLESS OTHERWISE STATED.
 5. PITS DEEPER THAN 1200 mm TO BE FITTED WITH STEPS.
 6. ALL EXPOSED EDGES TO BE ROUNDED WITH 20 mm RADIUS.
 7. LOCATION AND CHANNEL LEVEL OF GULLY PIT IN PLANS REFER TO THIS POINT: ●
 8. MINIMUM COVER TO OUTSIDE REINFORCEMENT 50 mm.
 9. FOR DETAILS OF GRATE AND FRAME SEE R0220-19

QR CODE				SCAN TO CHECK DOCUMENT VER.				ALL DIMENSIONS ARE IN MILLIMETRES UNLESS OTHERWISE SHOWN				ISSUED		STANDARD DRAWING		A3	
REV				DATE				AMENDMENT / REVISION DESCRIPTION				SFR		ROAD DESIGN ENGINEERING		R0220-16	
WVR No.				APPROVAL				SCALES ON A3 SIZE DRAWING				MANAGER ROAD POLICY, SPECIFICATIONS & TECHNOLOGY		R0220 STORMWATER DRAINAGE SERIES - GULLY PITS		SHEET 1 OF 1	
CONTACT DETAILS				DATE				PREPARED BY				ENGINEERING SERVICES		STATUS		REV.	
SEND FEEDBACK ON THIS STANDARD DRAWING TO : technologystandards@rms.nsw.gov.au				20.01.17				ROAD POLICY, SPECIFICATIONS AND TECHNOLOGY				ISSUED		ORIGINAL ISSUE DATE		JANUARY 2017	
NSW GOVERNMENT				Transport Roads & Maritime Services				EDMS No.				DS2014/005836		© Roads and Maritime Services			