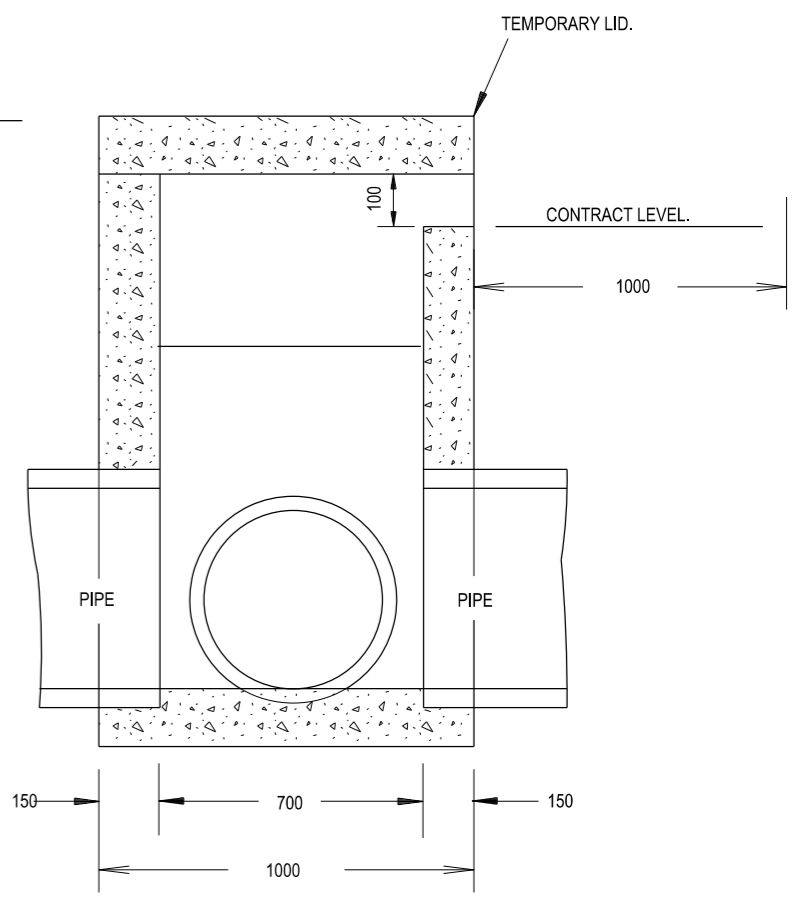


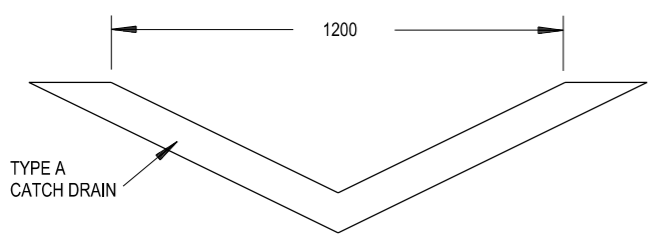
SECTION 1
NOT TO SCALE

FOR PIPES ≤ 525 DIA



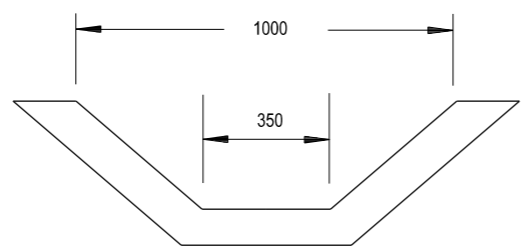
SECTION 2
NOT TO SCALE

FOR PIPES ≤ 450 DIA



SECTION 3
NOT TO SCALE

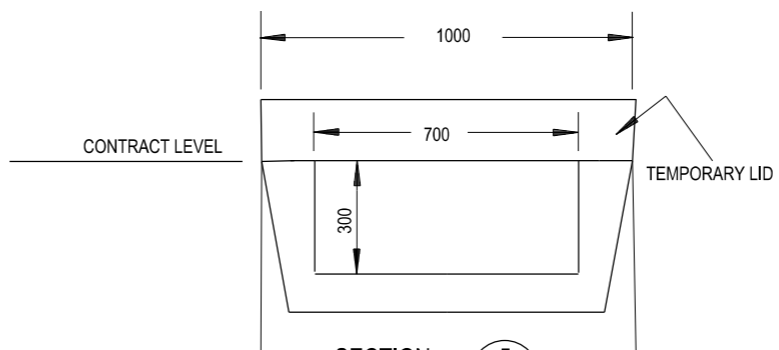
(00)



SECTION 4
NOT TO SCALE

(1000)

TRANSITION
FROM TYPE A CATCH DRAIN TO SIDE
OPENING IN PIT. (LENGTH = 2000)



SECTION 5
NOT TO SCALE

(2000)

NOTES

1. CONCRETE STRENGTH GRADE SHALL BE N25.
2. LOCATION AND LEVEL OF GULLY PIT SHOWN IN DRAWINGS REFER TO THIS POINT: ●
3. SIDE WALLS OF ALL PITS DEEPER THAN 1500 ARE TO REINFORCED WITH ONE LAYER OF SL82 MESH RETURNED 300 MINIMUM INTO BASE.
4. DEPTH OF PIT NOT TO EXCEED 3500.
5. PITS DEEPER THAN 1200 TO BE FITTED WITH GALVANISED STEP IRONS.
6. ALL EXPOSED EDGES TO BE ROUNDED WITH 20 RADIUS.
7. FOR LARGE OR MULTIPLE PIPES REFER R0220-28
8. FOR DETAILS OF TEMPORARY LID SEE R0220-42
9. FOR DETAILS OF GRATE AND FRAME SEE R0220-19

THIS DRAWING MAY BE PREPARED IN COLOUR AND MAY BE INCOMPLETE IF COPIED

QR CODE		SCAN TO CHECK DOCUMENT VER.		REV	DATE	AMENDMENT / REVISION DESCRIPTION	WVR No.	APPROVAL	ALL DIMENSIONS ARE IN MILLIMETRES UNLESS OTHERWISE SHOWN	CONTACT DETAILS	ISSUED	Transport Roads & Maritime Services PREPARED BY ENGINEERING SERVICES ROAD POLICY, SPECIFICATIONS AND AND TECHNOLOGY	STANDARD DRAWING ROAD DESIGN ENGINEERING R0220 STORMWATER DRAINAGE SERIES - GULLY PITS SK3 GULLY PIT WITH CATCH DRAIN INLET SHEET 1 OF 1	STANDARD DRAWING No. R0220-17 STATUS ISSUED	EDMS No. DS2014/005837	ORIGINAL ISSUE DATE JANUARY 2017	REV. -
								SCALES ON A3 SIZE DRAWING CONTACT DETAILS SEND FEEDBACK ON THIS STANDARD DRAWING TO : technologystandards@rms.nsw.gov.au	DATE 20.01.17								