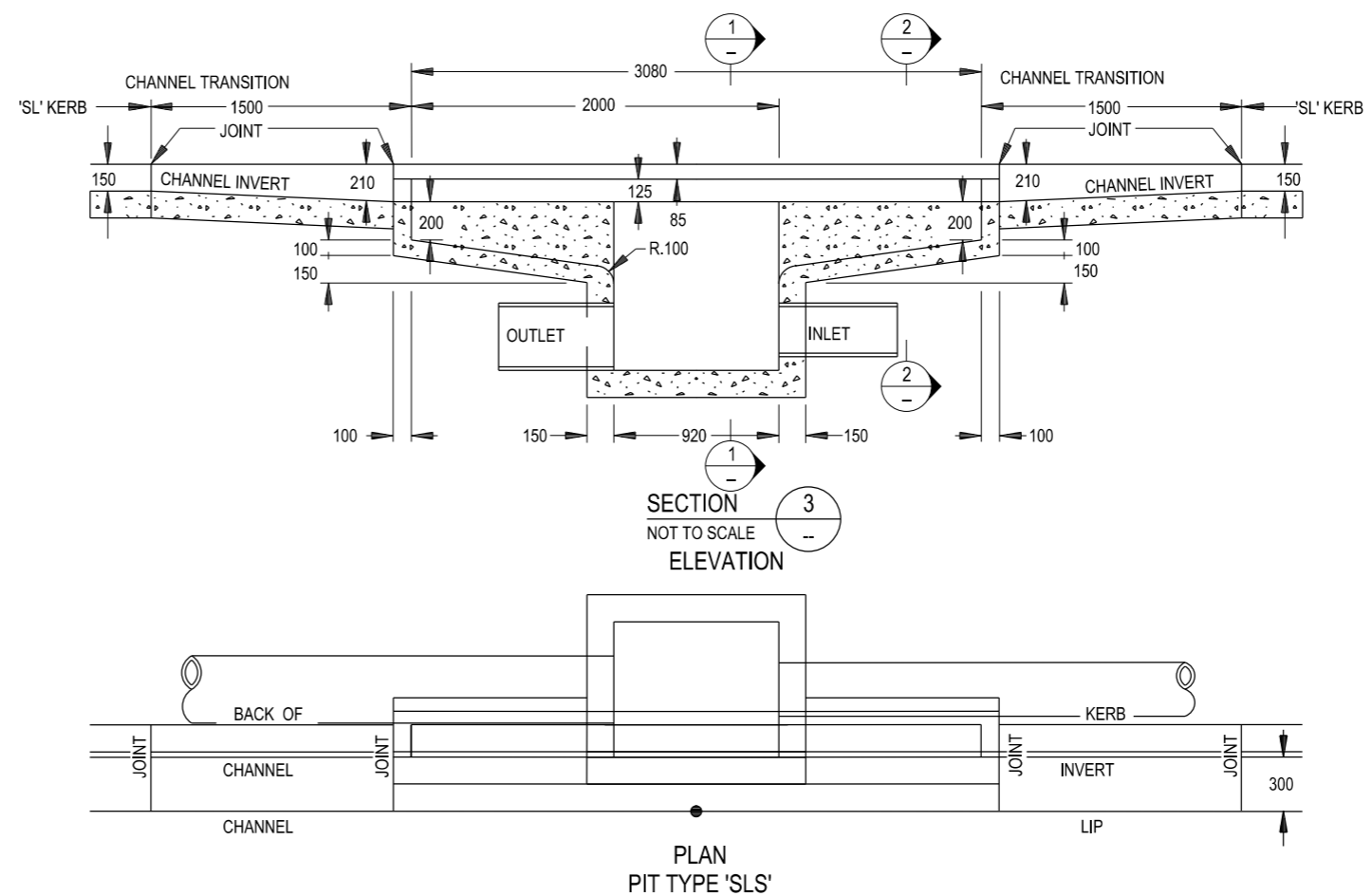


SECTION 1
NOT TO SCALE
ELEVATION

SECTION 3
NOT TO SCALE
ELEVATION

PLAN
PIT TYPE 'SL1'

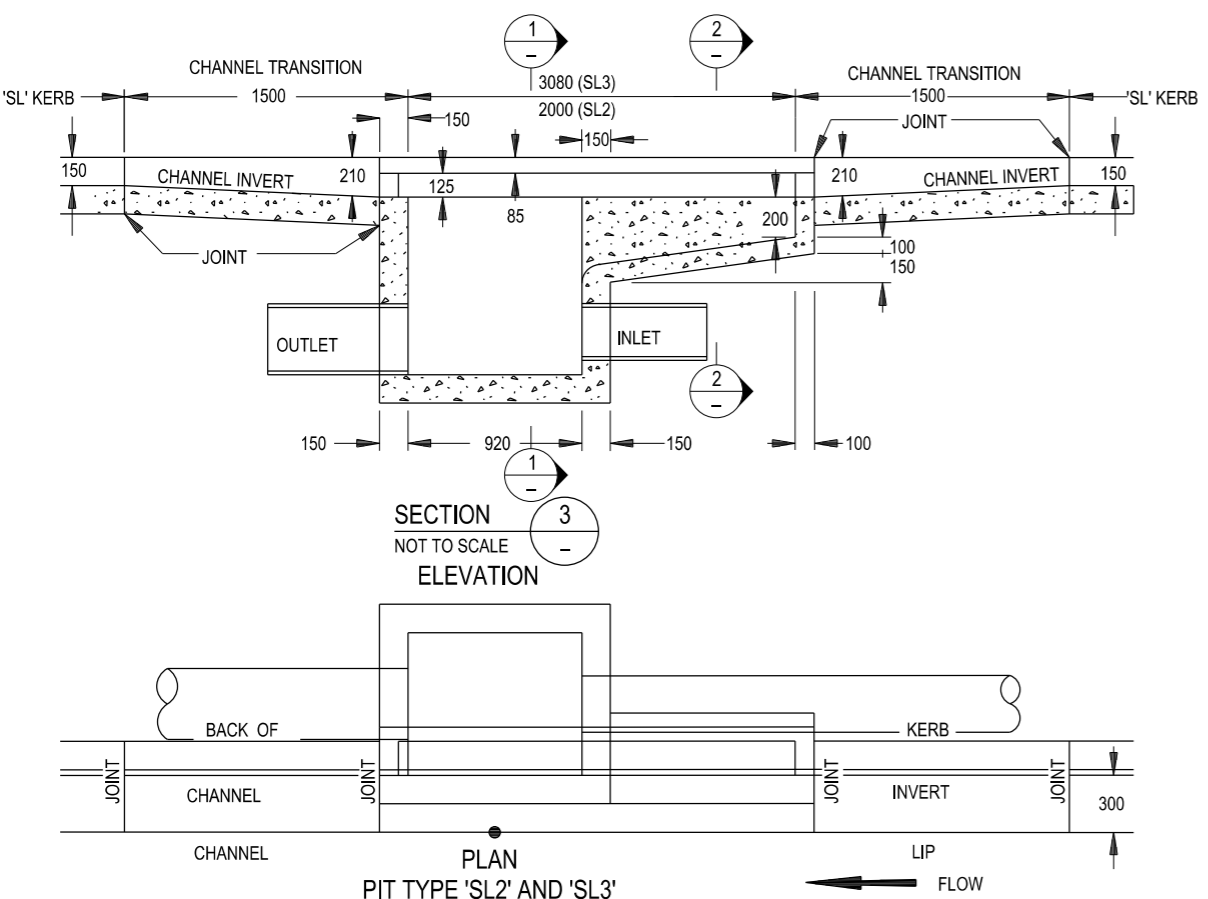


SECTION 1
NOT TO SCALE
ELEVATION

SECTION 2
NOT TO SCALE
ELEVATION

SECTION 3
NOT TO SCALE
ELEVATION

PLAN
PIT TYPE 'SLS'

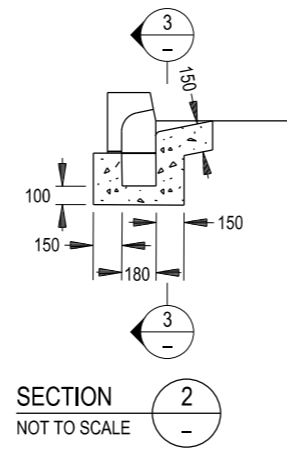


SECTION 1
NOT TO SCALE
ELEVATION

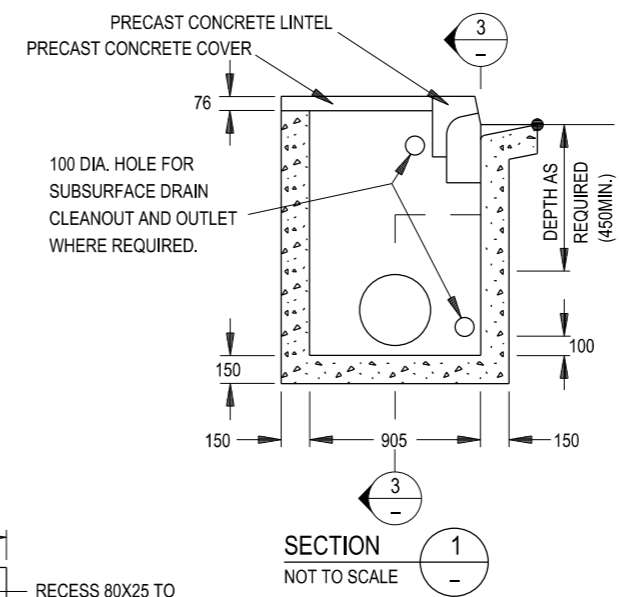
SECTION 2
NOT TO SCALE
ELEVATION

SECTION 3
NOT TO SCALE
ELEVATION

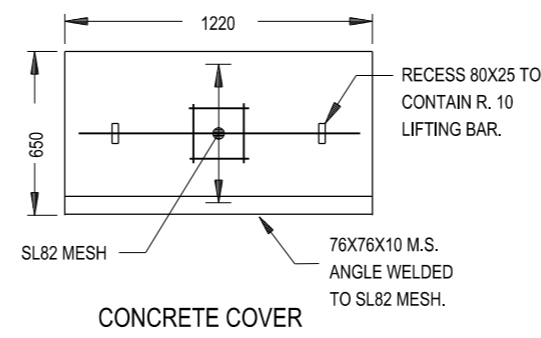
PLAN
PIT TYPE 'SL2' AND 'SL3'



SECTION 2
NOT TO SCALE



SECTION 1
NOT TO SCALE



CONCRETE COVER

- NOTES**
1. CONCRETE STRENGTH GRADE SHALL BE N25.
 2. SIDE WALLS OF ALL PITS DEEPER THAN 1 500 ARE TO BE REINFORCED WITH ONE LAYER OF SL82 MESH RETURNED 200 INTO BASE.
 3. DEPTH OF PIT NOT TO EXCEED 3 500.
 4. PITS DEEPER THAN 1 200 TO BE FITTED WITH GALVANISED STEP IRONS.
 5. ALL EXPOSED EDGES TO BE ROUNDED WITH 20 RADIUS.
 6. LOCATION AND LEVEL OF GULLY PIT SHOWN IN THE DRAWINGS REFER TO THIS POINT: ●
 7. FOR PIPE DIAMETERS GREATER THAN 750 mm OR MULTIPLE PIPES REFER R0220-28
 8. ALL EXPOSED STEEL TO BE GALVANISED IN ACCORDANCE WITH AS1214 AND TO BE 375 g/m².

THIS DRAWING MAY BE PREPARED IN COLOUR AND MAY BE INCOMPLETE IF COPIED

| | | | | | | | | | | | | | | | | | | | |
|-----------------------------|--|--|--|----------------------------------|--|--|--|---|--|--|--|--|--|--|--|---|--|--|--|
| QR CODE | | | | AMENDMENT / REVISION DESCRIPTION | | | | ALL DIMENSIONS ARE IN MILLIMETRES UNLESS OTHERWISE SHOWN | | | | ISSUED | | | | STANDARD DRAWING | | | |
| SCAN TO CHECK DOCUMENT VER. | | | | WVR No. | | | | CONTACT DETAILS | | | | SFR | | | | ROAD DESIGN ENGINEERING | | | |
| REV. DATE | | | | APPROVAL | | | | SEND FEEDBACK ON THIS STANDARD DRAWING TO : technologystandards@rms.nsw.gov.au | | | | MANAGER ROAD POLICY, SPECIFICATIONS & TECHNOLOGY | | | | R0220 STORMWATER DRAINAGE SERIES - GULLY PITS | | | |
| SCALE ON A3 SIZE DRAWING | | | | DATE 20.01.17 | | | | PREPARED BY | | | | STANDARD DRAWING No. R0220-20 | | | | SHEET 1 OF 1 | | | |
| ORIGINATOR | | | | DESIGNER | | | | ENGINEERING SERVICES | | | | STATUS | | | | REV. | | | |
| DRAWN | | | | CHECKED | | | | ROAD POLICY, SPECIFICATIONS AND TECHNOLOGY | | | | ISSUED | | | | - | | | |
| DATE | | | | EDMS No. | | | | ORIGINAL ISSUE DATE | | | | DS2014/005840 | | | | JANUARY 2017 | | | |
| SCALE | | | | © Roads and Maritime Services | | | | | | | | | | | | | | | |