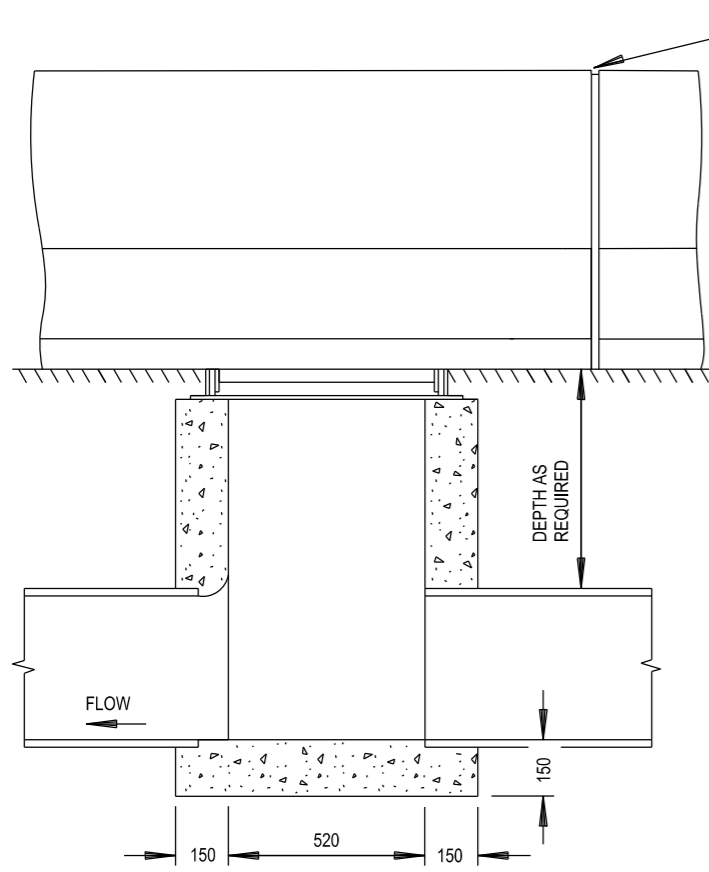
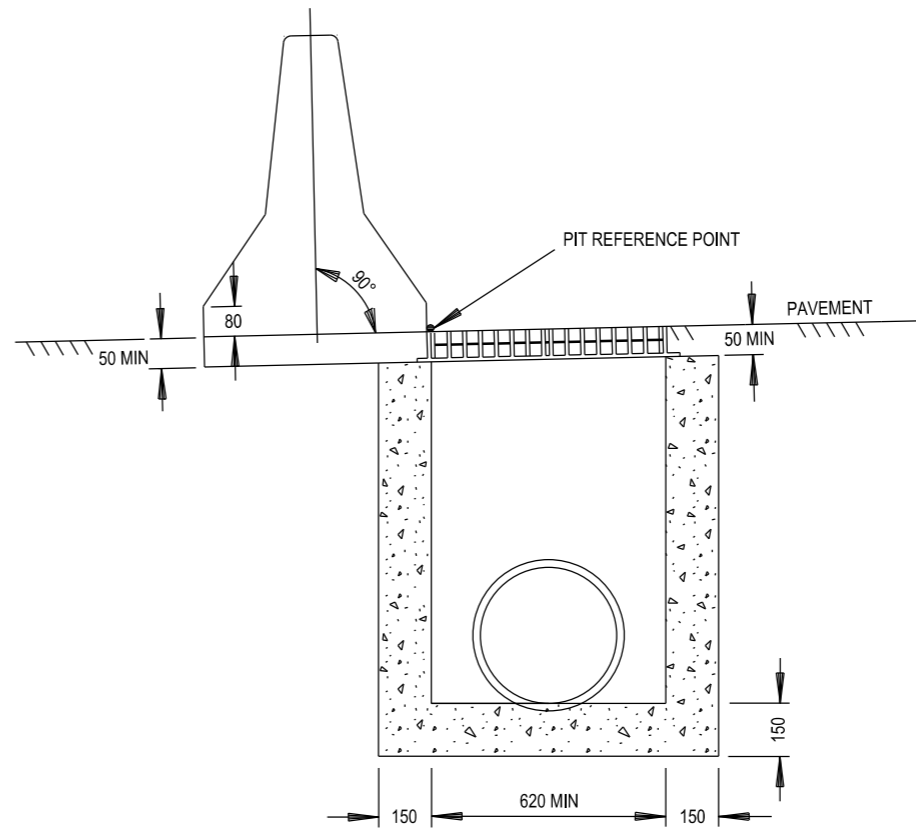


THIS DRAWING MAY BE PREPARED IN COLOUR AND MAY BE INCOMPLETE IF COPIED

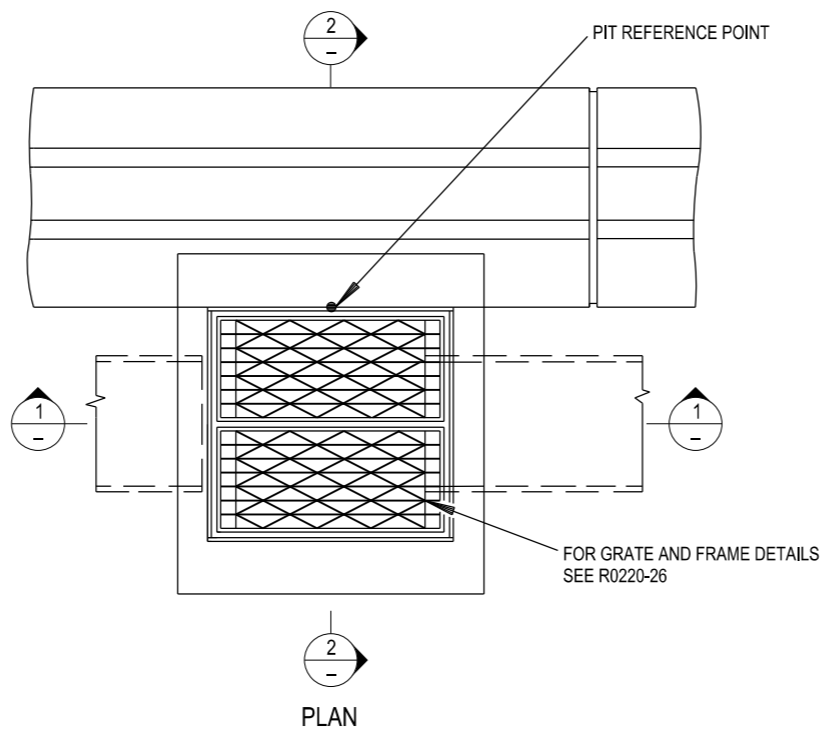


SECTION 1
NOT TO SCALE

PROVIDE EXPANSION JOINTS EVERY 30 m.
JOINT TO BE FORMED BY INSERTING A
SHEET OF APPROVED JOINT FILTER.



SECTION 2
NOT TO SCALE



PLAN

- NOTES**
1. CONCRETE STRENGTH N25.
 2. STEEL GRATES AND FRAMES TO BE MILD STEEL AND HOT DIPPED GALVANISED.

QR CODE		REV	DATE	AMENDMENT / REVISION DESCRIPTION	WVR No.	APPROVAL	ALL DIMENSIONS ARE IN MILLIMETRES UNLESS OTHERWISE SHOWN	ISSUED	Transport Roads & Maritime Services	STANDARD DRAWING ROAD DESIGN ENGINEERING R0220 STORMWATER DRAINAGE SERIES - GULLY PITS STANDARD GULLY PIT TYPE F - DOUBLE GRATE SHEET 1 OF 1	A3 REV. - ORIGINAL ISSUE DATE JANUARY 2017
							CONTACT DETAILS SEND FEEDBACK ON THIS STANDARD DRAWING TO : technologystandards@rms.nsw.gov.au	SFR MANAGER ROAD POLICY, SPECIFICATIONS & TECHNOLOGY DATE 20.01.17			
PREPARED BY ENGINEERING SERVICES ROAD POLICY, SPECIFICATIONS AND AND TECHNOLOGY										EDMS No. DS2014/005845	ORIGINAL ISSUE DATE JANUARY 2017