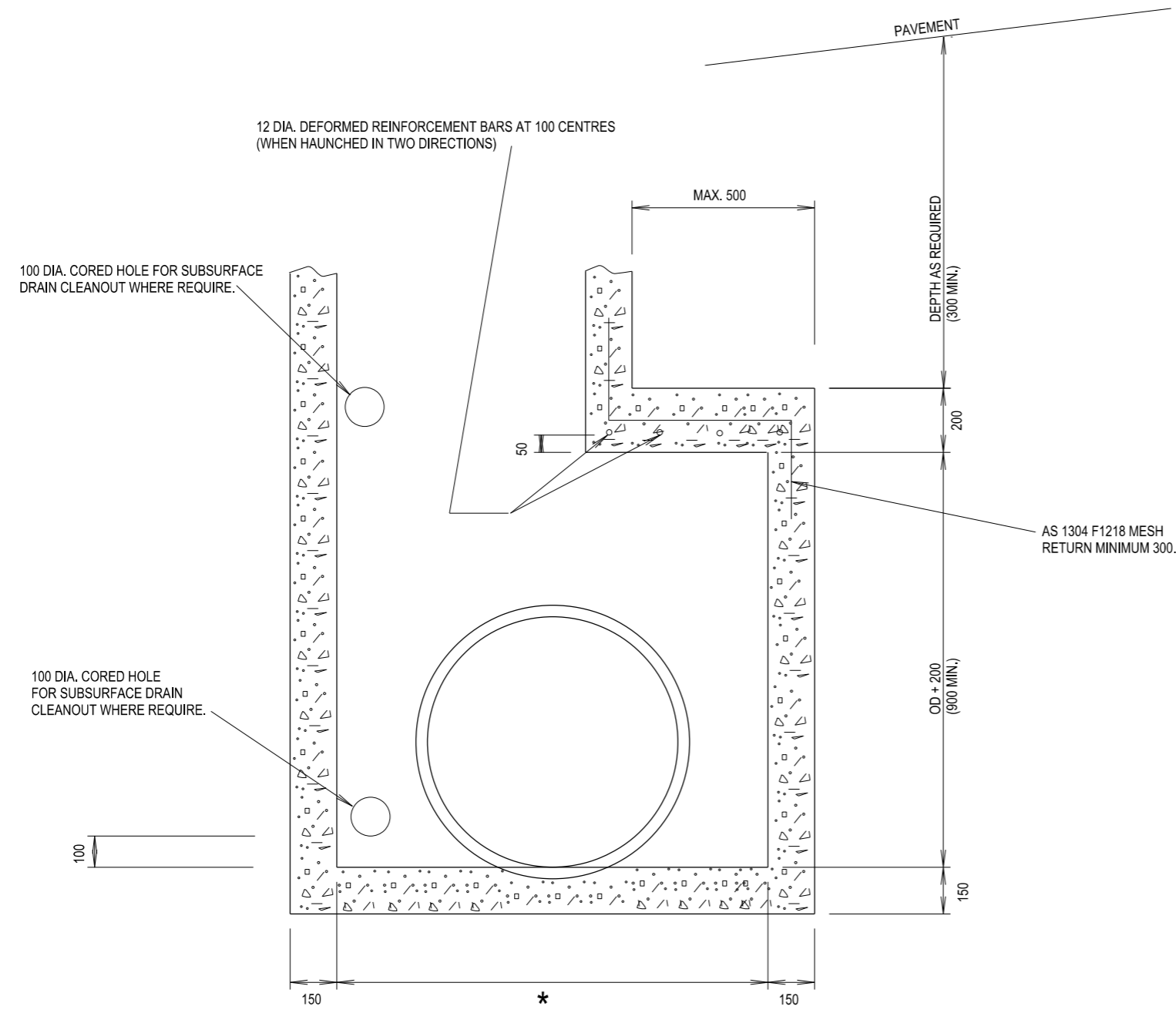



THIS DRAWING MAY BE PREPARED IN COLOUR AND MAY BE INCOMPLETE IF COPIED



PIPES > 450: * = OD + 200
 MULTIPLE PIPE: * = nOD + (n-1) OD/2 + 200
 WHERE n = NUMBER OF LINES

- NOTES**
1. CONCRETE GRADE N25.
 2. SIDE WALLS OF ALL PITS DEEPER THAN 1 500 ARE TO BE REINFORCED WITH ONE LAYER OF SL82 MESH RETURNED 300 INTO BASE.
 3. DEPTH OF PIT SHALL NOT EXCEED 3 500.
 4. PITS DEEPER THAN 1200 TO BE FITTED WITH GALVANISED STEP IRONS. SEE R0220-45.
 5. WHERE PIPES ENTER PIT ON A SKEW OD = HORIZONTAL SKEW DIMENSION.

QR CODE			SCAN TO CHECK DOCUMENT VER.			ALL DIMENSIONS ARE IN MILLIMETRES UNLESS OTHERWISE SHOWN			ISSUED			STANDARD DRAWING No. R0220-28			A3									
			REV	DATE	AMENDMENT / REVISION DESCRIPTION	WVR No.	APPROVAL	SCALES ON A3 SIZE DRAWING	CONTACT DETAILS	SFR	MANAGER ROAD POLICY, SPECIFICATIONS & TECHNOLOGY	DATE	20.01.17	PREPARED BY	ENGINEERING SERVICES	ROAD POLICY, SPECIFICATIONS AND AND TECHNOLOGY	STATUS	ISSUED	EDMS No.	DS2014/005848	ORIGINAL ISSUE DATE	JANUARY 2017	REV.	-
										SEND FEEDBACK ON THIS STANDARD DRAWING TO : technologystandards@rms.nsw.gov.au			Transport Roads & Maritime Services			ROAD DESIGN ENGINEERING R0220 STORMWATER DRAINAGE SERIES - GULLY PITS GULLY PIT TREATMENT FOR PIPES GREATER THAN 450 mm DIA. SHEET 1 OF 1								
										NSW GOVERNMENT			© Roads and Maritime Services											