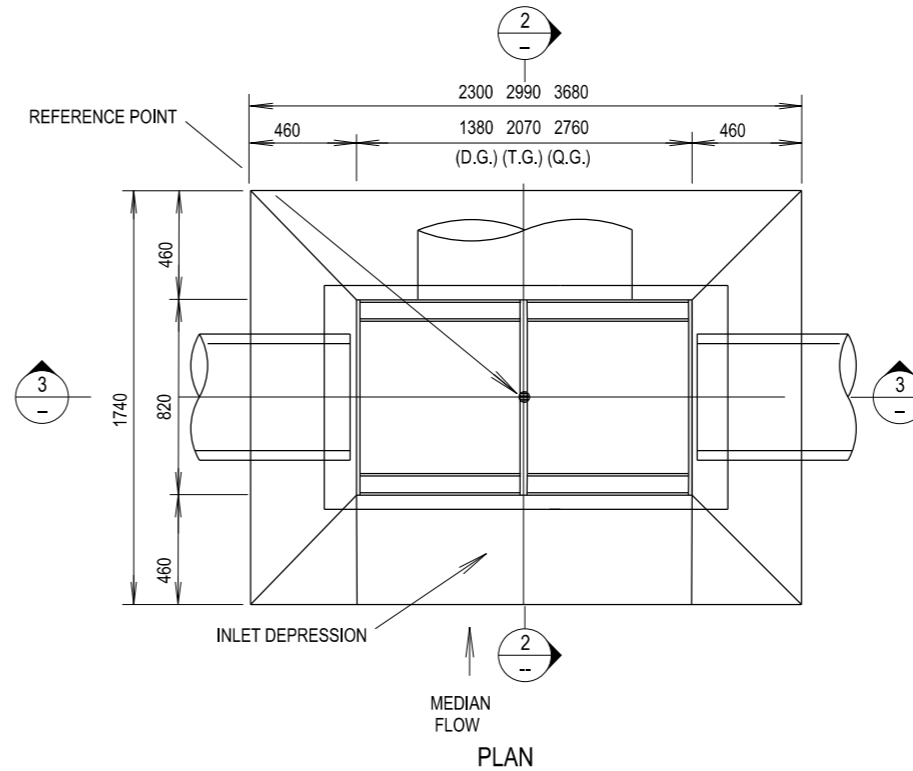
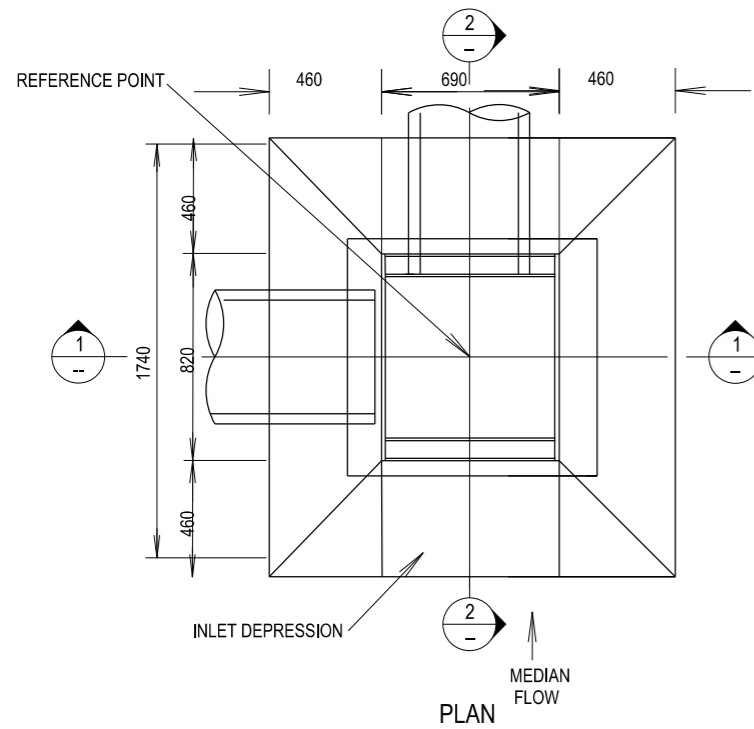
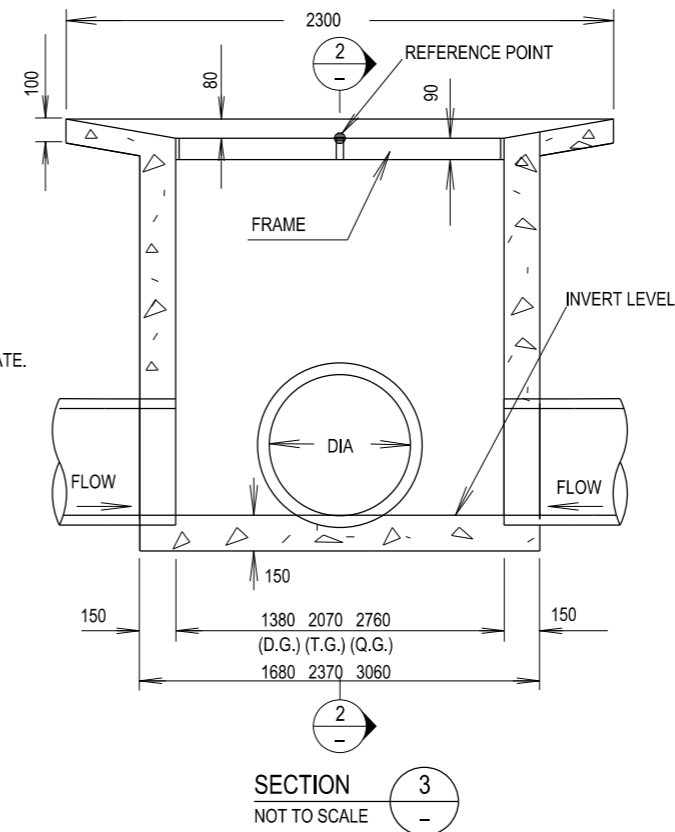


PIT TYPES
 M.G.S.G. - MEDIAN GULLY PIT SINGLE GRATE.
 M.G.D.G. - MEDIAN GULLY PIT DOUBLE GRATE.
 M.G.T.G. - MEDIAN GULLY PIT TRIPLE GRATE.
 M.G.Q.G. - MEDIAN GULLY PIT QUADRUPLE GRATE.



NOTES

1. INLET OUTLET PIPES TO BE LOCATED AS PER DRAINAGE PLANS.
2. PIPES TO BE CONNECTED TO PIT IN ACCORDANCE WITH R0220-43
3. WHERE THE GULLY PIT IS LOCATED IN A SAG, INLET DEPRESSIONS ARE TO BE PROVIDED ON BOTH SIDES OF THE GULLY PIT.
4. MATERIAL IN FRAMES AND GRATES TO BE MILD STEEL, HOT DIP GALVANISED IN ACCORDANCE WITH AS 1650.
5. USE CONCRETE GRADE N25.
6. SIDEWALLS OF PITS DEEPER THAN 1500 TO BE REINFORCED WITH ONE LAYER OF SL82 MESH RETURNED 300 INTO BASE.
7. PITS DEEPER THAN 1200 TO BE FITTED WITH GALVANIZED STEP IRONS.
8. PROVIDE SUBSOIL DRAINS INTO PITS AS REQUIRED.
9. DEPTH OF PIT NOT TO EXCEED 3500 mm.
10. FOR DETAILS OF FRAME AND GRATE SEE R0220-33.

THIS DRAWING MAY BE PREPARED IN COLOUR AND MAY BE INCOMPLETE IF COPIED



QR CODE	SCAN TO CHECK DOCUMENT VER.	REV	DATE	AMENDMENT / REVISION DESCRIPTION	WVR No.	APPROVAL	ALL DIMENSIONS ARE IN MILLIMETRES UNLESS OTHERWISE SHOWN	CONTACT DETAILS	ISSUED	STANDARD DRAWING	A3
							SCALES ON A3 SIZE DRAWING	SEND FEEDBACK ON THIS STANDARD DRAWING TO : technologystandards@rms.nsw.gov.au	SFR	ROAD DESIGN ENGINEERING	
								MANAGER ROAD POLICY, SPECIFICATIONS & TECHNOLOGY	NSW GOVERNMENT	R0220-30	
								DATE 20.01.17	Transport Roads & Maritime Services	R0220-30	
									PREPARED BY ENGINEERING SERVICES	STANDARD DRAWING No.	REV.
									ROAD POLICY, SPECIFICATIONS AND TECHNOLOGY	R0220-30	-
										STATUS	ORIGINAL ISSUE DATE
										ISSUED	JANUARY 2017
										EDMS No.	© Roads and Maritime Services
										DS2014/005850	