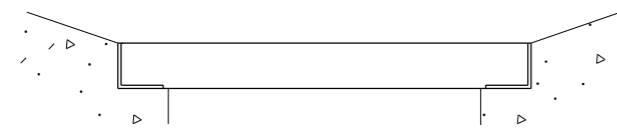
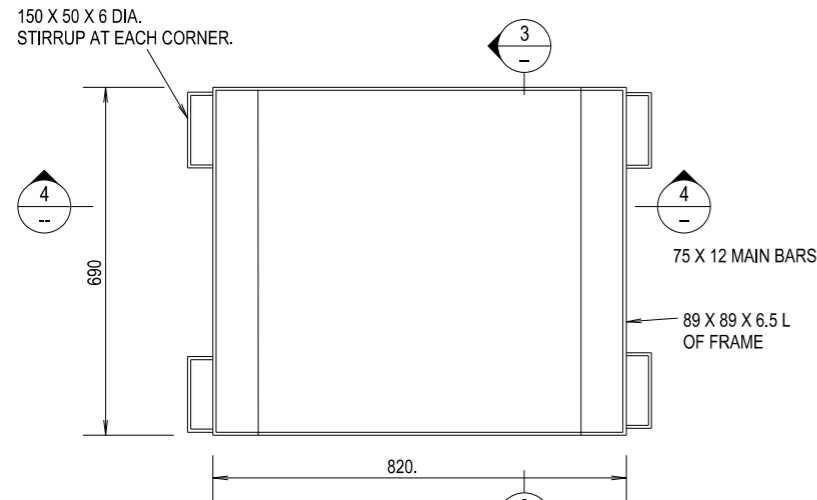


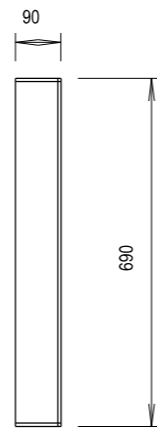
THIS DRAWING MAY BE PREPARED IN COLOUR AND MAY BE INCOMPLETE IF COPIED
50mm ON A3 SIZE ORIGINAL



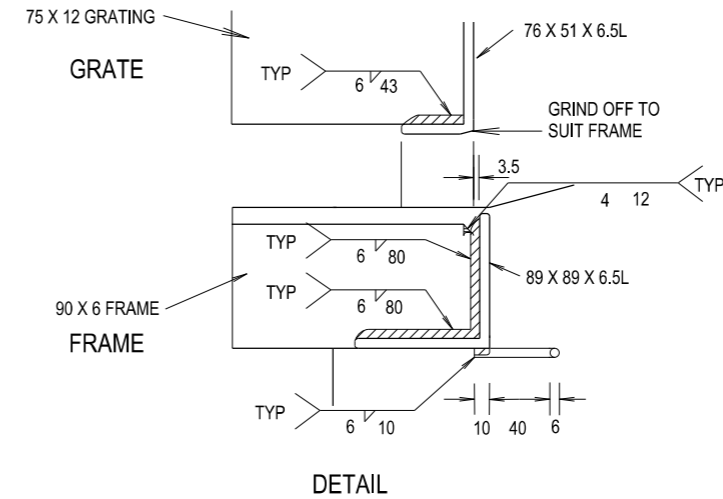
SECTION 4
NOT TO SCALE



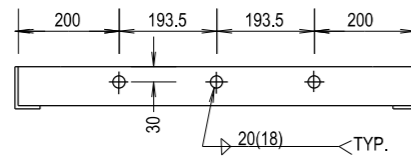
PLAN OF FRAME
90 X 6 FLAT OF FRAME



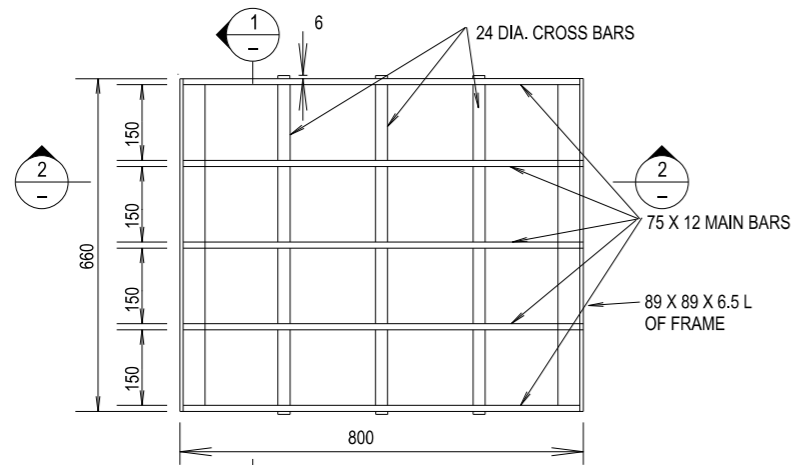
SECTION 3
NOT TO SCALE



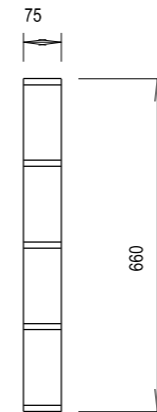
DETAIL



SECTION 2
NOT TO SCALE



PLAN OF GRATE
(SEE NOTE 2)



SECTION 1
NOT TO SCALE

NOTES

1. STEEL GRATES AND FRAMES ARE TO BE FABRICATED FROM MILD STEEL AND HOT DIP GALVANISED.
2. THE GRATING SHOWN ON THIS DRAWING IS TO BE USED ONLY WHERE THERE IS NO PEDESTRIAN OR PEDAL CYCLIST MOVEMENTS AND WHERE THERE IS A PROBABILITY OF BLOCKAGE DUE TO MAINTENANCE PROCEDURES.
3. GRATING PATTERN AND BAR SIZES MAY VARY BUT SHALL BE CLASS D AND BICYCLE SAFE IN ACCORDANCE WITH AS 3996 UNLESS OTHERWISE STATED.

ALL DIMENSIONS ARE IN MILLIMETRES UNLESS OTHERWISE SHOWN

QR CODE	SCAN TO CHECK DOCUMENT VER.	REV	DATE	AMENDMENT / REVISION DESCRIPTION	WVR No.	APPROVAL	SCALES ON A3 SIZE DRAWING	CONTACT DETAILS	ISSUED	MANAGER ROAD POLICY, SPECIFICATIONS & TECHNOLOGY	DATE	PREPARED BY	STANDARD DRAWING No.	REV.
								SEND FEEDBACK ON THIS STANDARD DRAWING TO : technologystandards@rms.nsw.gov.au	SFR	MANAGER ROAD POLICY, SPECIFICATIONS & TECHNOLOGY	20.01.17	ENGINEERING SERVICES ROAD POLICY, SPECIFICATIONS AND AND TECHNOLOGY	R0220-33	-
												EDMS No. DS2014/005853	ORIGINAL ISSUE DATE JANUARY 2017	



STANDARD DRAWING
ROAD DESIGN ENGINEERING
R0220 STORMWATER DRAINAGE SERIES - GULLY PITS
STANDARD GULLY PIT DEPRESSED MEDIAN PITS
GRATINGS AND FRAMES
SHEET 1 OF 1