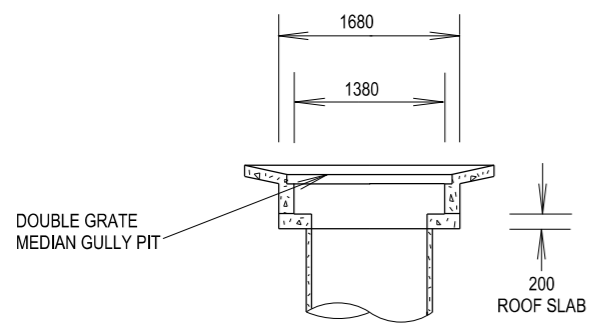
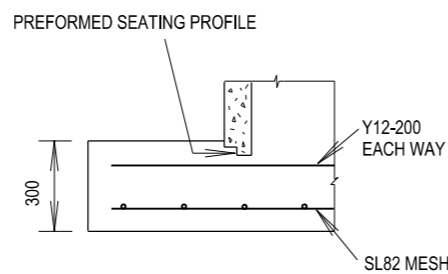


TYPE 1 MANHOLE



DETAIL A  
NOT TO SCALE



DETAIL B  
NOT TO SCALE

NOTES

- CUT INLET AND OUTLET PIPES TO BE SHAPED AROUND MANHOLE WITH REINFORCEMENT LEFT EXPOSED AND CUT TO LAP INTO CHAMBER REINFORCEMENT.
- APPROPRIATE HOLES TO BE CUT INTO MANHOLE CHAMBER SECTIONS (MINIMUM 300 mm TO TOP OR BOTTOM OF UNIT).
- CUT EXPOSED CHAMBER REINFORCEMENT AT INLET TO LAP WITH INLET PIPE REINFORCEMENT AND CONNECT REINFORCEMENT BY WELDING.
- FILL REMAINING GAP WITH AN EPOXY RESIN MORTAR, POLYESTER RESIN MORTAR OR MAGNESIUM PHOSPHATE CEMENT MORTAR.
- AT OUTLET, TURN EXPOSED CHAMBER REINFORCEMENT OUT AND INCLUDE IN THE CONCRETE SURROUND. DO NOT ENCLOSE THE RUBBER RING JOINT IN THE CONCRETE SURROUND.
- PLASTER INTERIOR OF OUTLET INCLUDING EXPOSED PIPE REINFORCEMENT.
- STANDARD STEP IRONS TO BE GALVANISED MALLEABLE CAST IRON 300 WIDE FIXED INTO REINFORCED CONCRETE CHAMBER.
- CONCRETE BASE SLAB, ROOF SLAB AND MANHOLE/GULLY PIT TO BE CONCRETE GRADE N25. BASE SLABS TO BE CONSTRUCTED IN NATURAL MATERIAL OF SAFE BEARING CAPACITY OF 600 kPa.
- CONCRETE BACKFILL/REINFORCEMENT AROUND INLET AND OUTLET PIPES TO BE CONCRETE GRADE N25.
- COVER TO REINFORCEMENT FOR INSITU CONCRETE TO BE 75 mm.
- PRECAST MANHOLE CHAMBERS TO BE CONSTRUCTED FROM CLASS 2 CONTINUOUS CIRCULAR REINFORCED CONCRETE PIPES DESIGNED AND CONSTRUCTED IN ACCORDANCE WITH AS 4058.
- PRECAST MANHOLE CHAMBERS TO BE MANUFACTURED USING CONCRETE GRADE N50 WITH MINIMUM COVER TO REINFORCEMENT OF 15 mm.
- MANHOLE CHAMBER JOINTS TO BE INTERNAL FLUSH JOINTS, MORTARED SMOOTH WITH EPOXY MORTAR, PREPARED AND APPLIED IN ACCORDANCE WITH THE MANUFACTURER'S RECOMMENDATIONS.
- LENGTH AND LOCATION OF PRECAST UNITS TO SUIT INVERT LEVELS OF GULLY PIT GRATES AND PIPES.
- FOR DETAILS OF GULLY PITS REFER TO R0220-30.
- BACKFILLING AROUND SIDES OF MANHOLE CHAMBERS TO BE PERFORMED IN ACCORDANCE WITH ESTABLISHED SITE CONTRACT PROCEDURES AND SPECIFICATIONS AS DEFINED BY THESE SPECIFICATIONS. BACKFILL SHALL BE A SELECTED BACKFILL AND THE BACKFILLING PROCEDURE SHALL CONFORM TO THE SPECIFICATION FOR "BACKFILLING AND COMPACTION AGAINST THE SIDES OF CULVERTS AND WINGWALLS" WHEREBY LAYERS ARE ADDED AND COMPACTED SIMULTANEOUSLY AROUND THE CIRCUMFERENCE OF THE STRUCTURE TO AVOID DIFFERENTIAL LOADING.
- ALL METAL INSERTS, FITTINGS, GRATES, HANDRAILS, LADDERS, BOLTS ETC. AND STRUCTURES TO BE SUPPLIED HOT DIP GALVANISED UNLESS NOTED OTHERWISE. ALL MASONRY ANCHORS AND BOLTS NOTED AS "S/S" TO BE STAINLESS STEEL GRADE 316 OR SIMILAR.
- GRATING PATTERNS AND BAR SIZES MAY VARY BUT SHALL BE CLASS D AND BICYCLE SAFE IN ACCORDANCE WITH AS 3996 UNLESS OTHERWISE STATED.
- DEPTH NOT GREATER THAN 6.0 m INLET AND OUTLET PIPES NOT GREATER THAN 600 mm DIA.

THIS DRAWING MAY BE PREPARED IN COLOUR AND MAY BE INCOMPLETE IF COPIED

|  |  |     |      |                                  |         |          |  |   |   |  |   |        |
|--|--|-----|------|----------------------------------|---------|----------|--|---|---|--|---|--------|
| QR CODE<br>SCAN TO CHECK DOCUMENT VER. |  | REV | DATE | AMENDMENT / REVISION DESCRIPTION | WVR No. | APPROVAL | ALL DIMENSIONS ARE IN MILLIMETRES UNLESS OTHERWISE SHOWN | CONTACT DETAILS   | ISSUED  | <b>Transport Roads &amp; Maritime Services</b><br>PREPARED BY<br>ENGINEERING SERVICES<br>ROAD POLICY, SPECIFICATIONS AND<br>AND TECHNOLOGY | STANDARD DRAWING<br>ROAD DESIGN ENGINEERING<br>R0220 STORMWATER DRAINAGE SERIES - GULLY PITS<br>MANHOLE - TYPE 1                    | A3     |
|  |  |     |      |                                  |         |          | SCALES ON A3 SIZE DRAWING                                | SEND FEEDBACK ON THIS STANDARD DRAWING TO :<br>technologystandards@rms.nsw.gov.au | SFR<br>MANAGER ROAD POLICY, SPECIFICATIONS & TECHNOLOGY |  | STANDARD DRAWING No. <b>R0220-40</b><br>SHEET 1 OF 1<br>STATUS ISSUED<br>EDMS No. DS2014/005860<br>ORIGINAL ISSUE DATE JANUARY 2017 | REV. - |