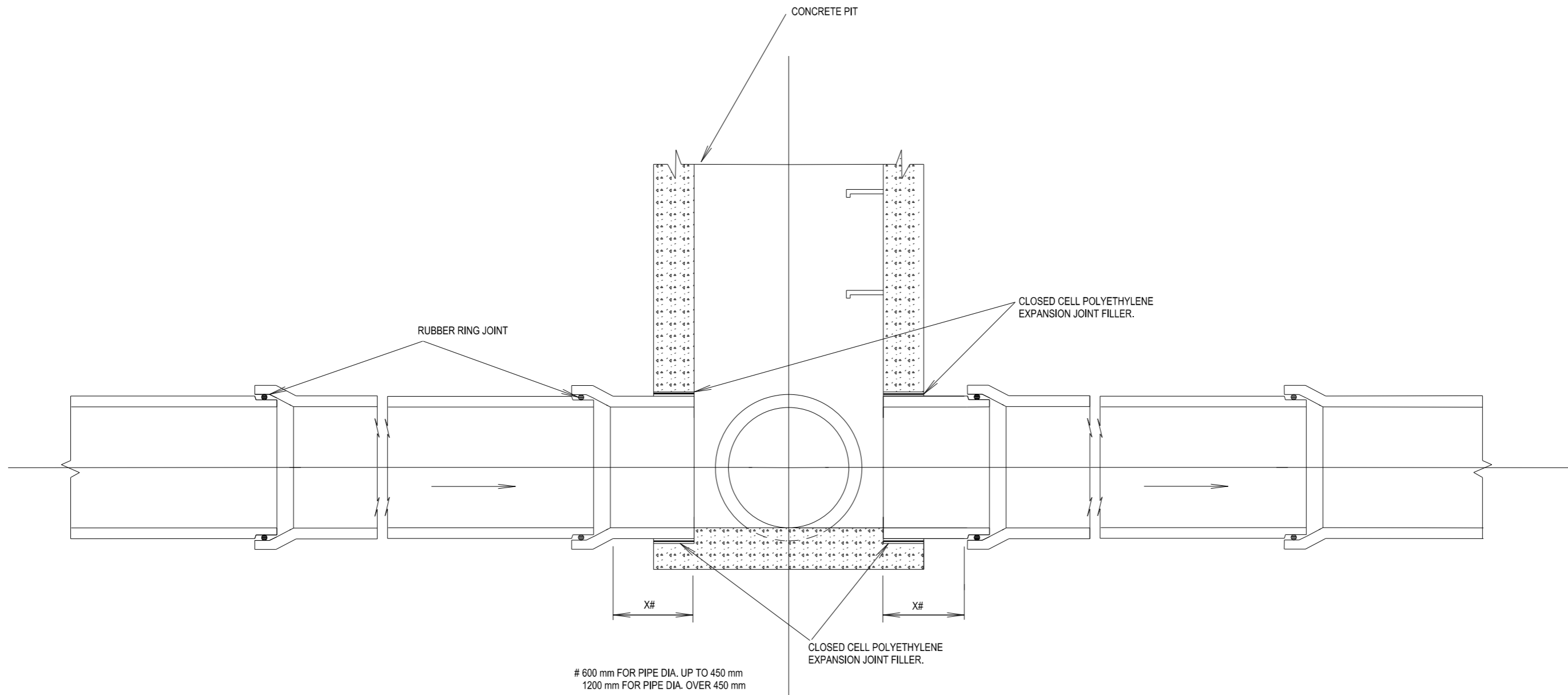


THIS DRAWING MAY BE PREPARED IN COLOUR AND MAY BE INCOMPLETE IF COPIED

50mm ON A3 SIZE ORIGINAL

0 5 10 15 20 25 30 35 40 45



ALL DIMENSIONS ARE IN MILLIMETRES UNLESS OTHERWISE SHOWN

QR CODE	SCAN TO CHECK DOCUMENT VER.	REV	DATE	AMENDMENT / REVISION DESCRIPTION	WVR No.	APPROVAL	SCALES ON A3 SIZE DRAWING	CONTACT DETAILS	ISSUED	STANDARD DRAWING		A3	
								SEND FEEDBACK ON THIS STANDARD DRAWING TO : technologystandards@rms.nsw.gov.au	SFR	<b>ROAD DESIGN ENGINEERING</b> <b>R0220 STORMWATER DRAINAGE SERIES - GULLY PITS</b> <b>PIT TO PIPE CONNECTION</b>			
									MANAGER ROAD POLICY, SPECIFICATIONS & TECHNOLOGY	 <b>Transport Roads &amp; Maritime Services</b>	SHEET 1 OF 1 STANDARD DRAWING No. <b>R0220-43</b>	REV. -	
									DATE 20.01.17	PREPARED BY ENGINEERING SERVICES ROAD POLICY, SPECIFICATIONS AND AND TECHNOLOGY	STATUS ISSUED	EDMS No. DS2014/005863	ORIGINAL ISSUE DATE JANUARY 2017