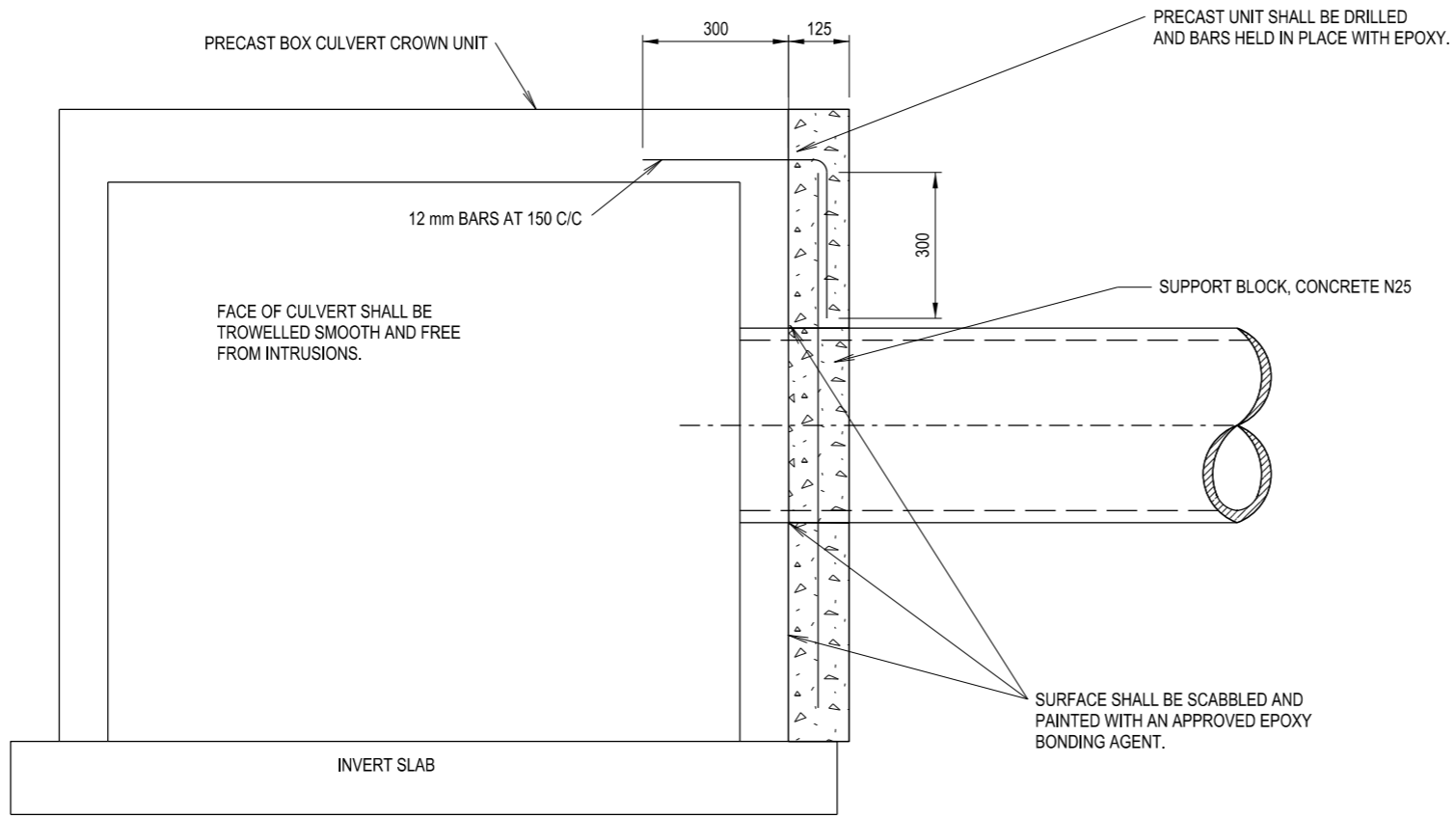
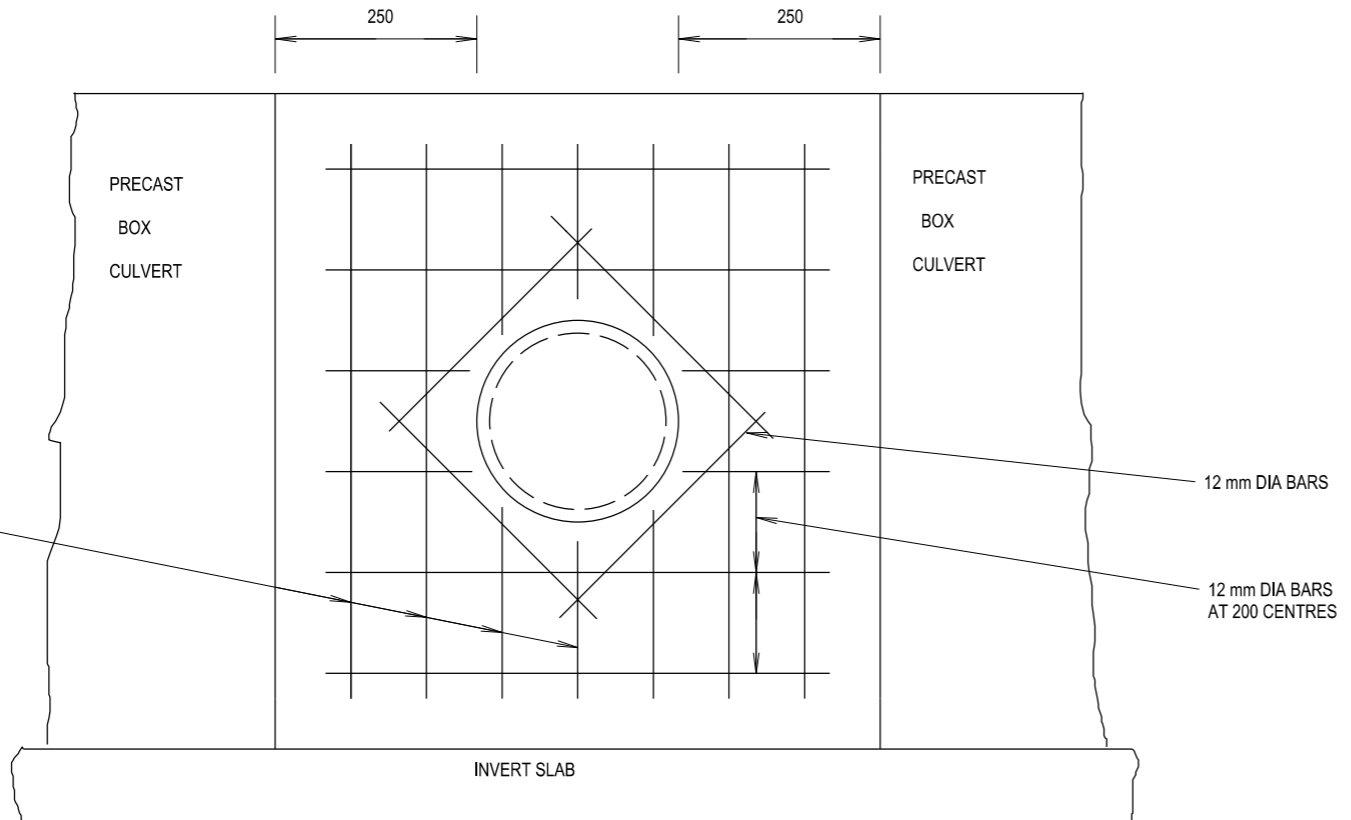


THIS DRAWING MAY BE PREPARED IN COLOUR AND MAY BE INCOMPLETE IF COPIED

50mm ON A3 SIZE ORIGINAL



ELEVATION



SIDE ELEVATION

- NOTES**
- WHERE THE PIPE IS TO BE CONNECTED, STEEL REINFORCEMENT IN THE PRECAST BOX WILL BE EXPOSED CUT AND BENT INTO THE SUPPORT BLOCK.

ALL DIMENSIONS ARE IN MILLIMETRES UNLESS OTHERWISE SHOWN

QR CODE	SCAN TO CHECK DOCUMENT VER.	REV	DATE	AMENDMENT / REVISION DESCRIPTION	WVR No.	APPROVAL	SCALES ON A3 SIZE DRAWING	CONTACT DETAILS	ISSUED	NSW GOVERNMENT	Transport Roads & Maritime Services	STANDARD DRAWING No.	REV.
								SEND FEEDBACK ON THIS STANDARD DRAWING TO : technologystandards@rms.nsw.gov.au	SFR		PREPARED BY ENGINEERING SERVICES ROAD POLICY, SPECIFICATIONS AND AND TECHNOLOGY	R0220-44	-
								DATE 20.01.17	MANAGER ROAD POLICY, SPECIFICATIONS & TECHNOLOGY			ISSUED	EDMS No. DS2014/005864