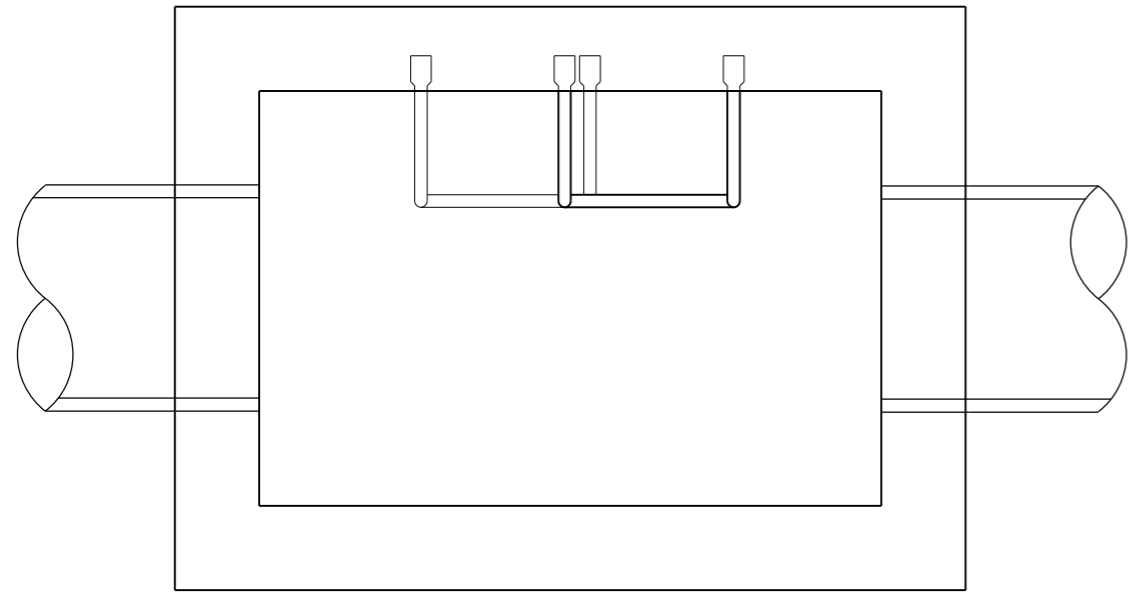
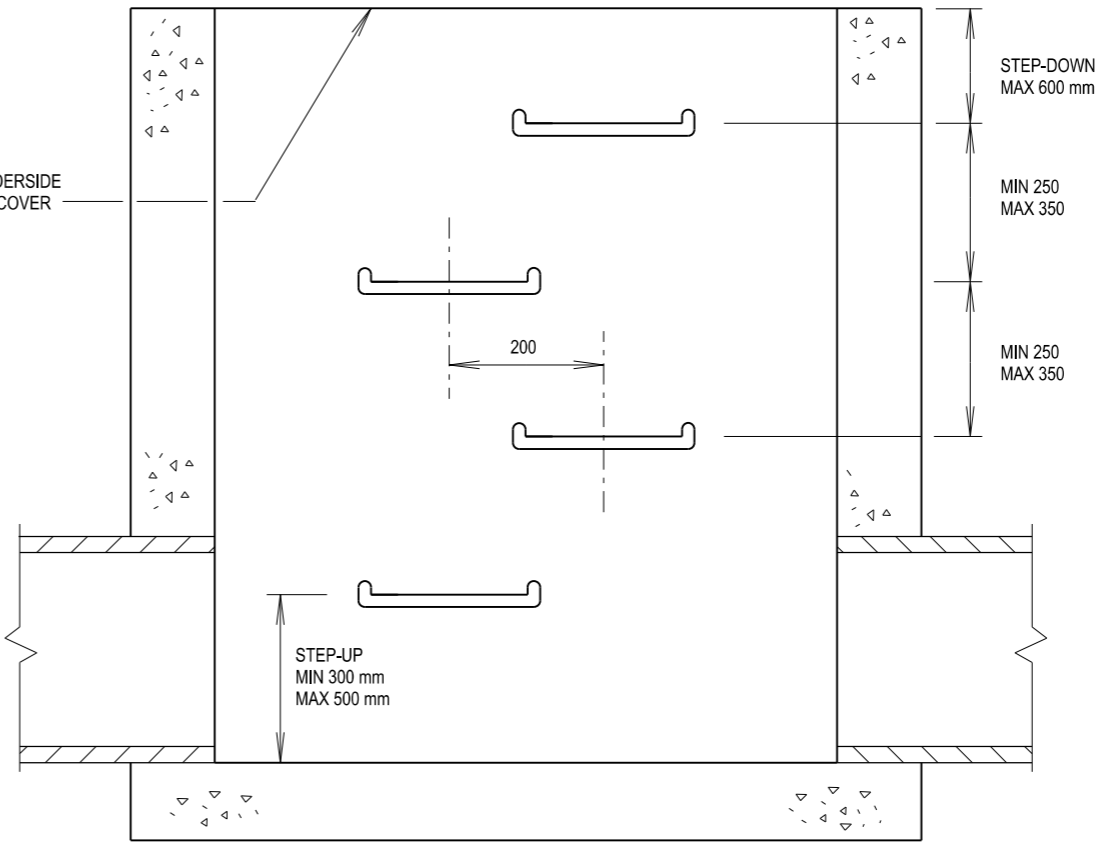


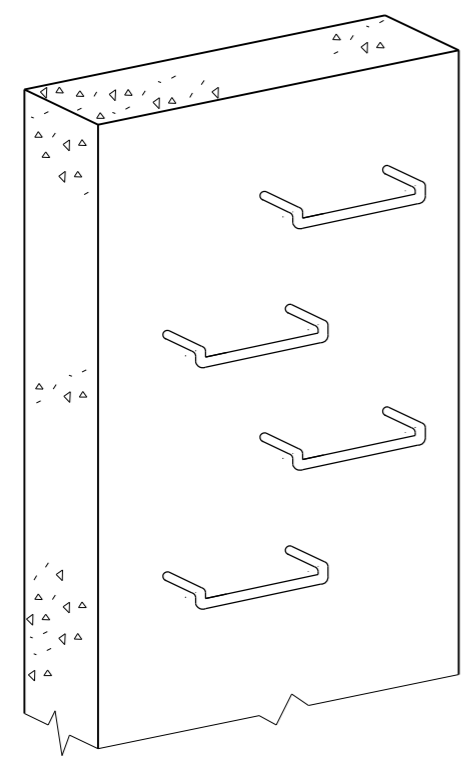
THIS DRAWING MAY BE PREPARED IN COLOUR AND MAY BE INCOMPLETE IF COPIED



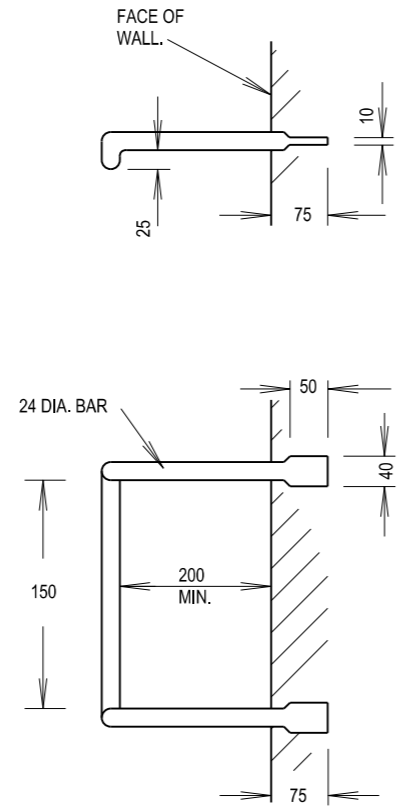
PLAN



SECTION 1
NOT TO SCALE



STEP IRON DETAILS



NOTES

1. PITS DEEPER THAN 600 mm MUST BE FITTED WITH INDIVIDUAL-RUNG LADDERS.
2. INDIVIDUAL-RUNG LADDERS MUST BE LOCATED:
 - DIRECTLY BELOW THE OPENING OF THE COVER.
 - DESIRABLY ON A WALL WITHOUT PIPE OPENINGS.
 - DESIRABLY ON ONE OF THE LONG SIDES OF THE PIT.
3. INDIVIDUAL-RUNG LADDERS MUST COMPLY WITH AS1657.
4. INDIVIDUAL-RUNG LADDERS MUST HAVE SHARP EDGES ROUNDED AND BE HOT DIP GALVANISED AFTER FABRICATION.
5. PROPRIETARY PLASTIC ENCAPSULATED INDIVIDUAL-RUNG LADDERS (OR APPROVED ALTERNATIVE) MAY BE USED.
6. INDIVIDUAL-RUNG LADDERS MUST BE INSTALLED IN ACCORDANCE WITH THE MANUFACTURERS SPECIFICATIONS.
7. ALL DIMENSIONS ARE IN MILLIMETRES UNLESS OTHERWISE STATED.

ALL DIMENSIONS ARE IN MILLIMETRES UNLESS OTHERWISE SHOWN										Transport Roads & Maritime Services		STANDARD DRAWING ROAD DESIGN ENGINEERING R0220 STORMWATER DRAINAGE SERIES - GULLY PITS INDIVIDUAL-RUNG LADDER (STEP IRONS) FOR DRAINAGE PITS		A3					
QR CODE	SCAN TO CHECK DOCUMENT VER.	REV	DATE	AMENDMENT / REVISION DESCRIPTION	WVR No.	APPROVAL	SCALES ON A3 SIZE DRAWING	CONTACT DETAILS	ISSUED	MANAGER ROAD POLICY, SPECIFICATIONS & TECHNOLOGY	DATE	20.01.17	PREPARED BY	ENGINEERING SERVICES	ROAD POLICY, SPECIFICATIONS AND AND TECHNOLOGY	STANDARD DRAWING No.	R0220-45	REV.	-
								SEND FEEDBACK ON THIS STANDARD DRAWING TO : technologystandards@rms.nsw.gov.au	SFR				PREPARED BY ENGINEERING SERVICES ROAD POLICY, SPECIFICATIONS AND AND TECHNOLOGY	STATUS ISSUED	EDMS No. DS2014/005866	ORIGINAL ISSUE DATE JANUARY 2017			