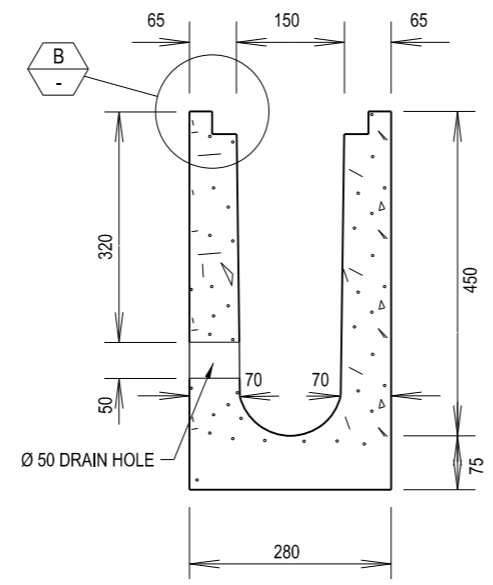
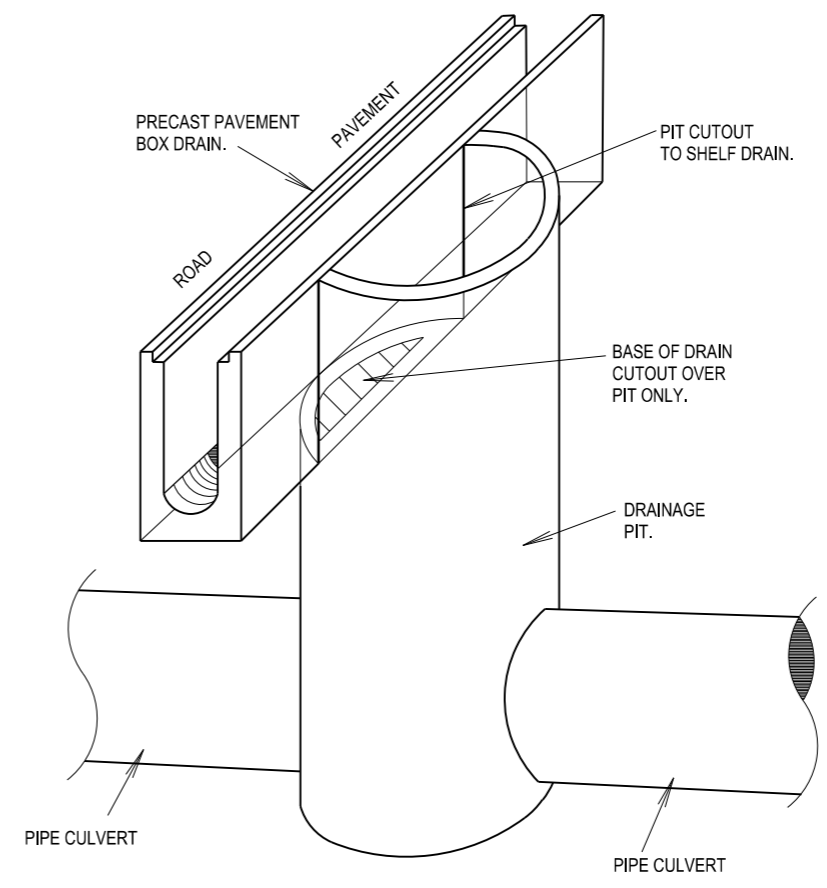


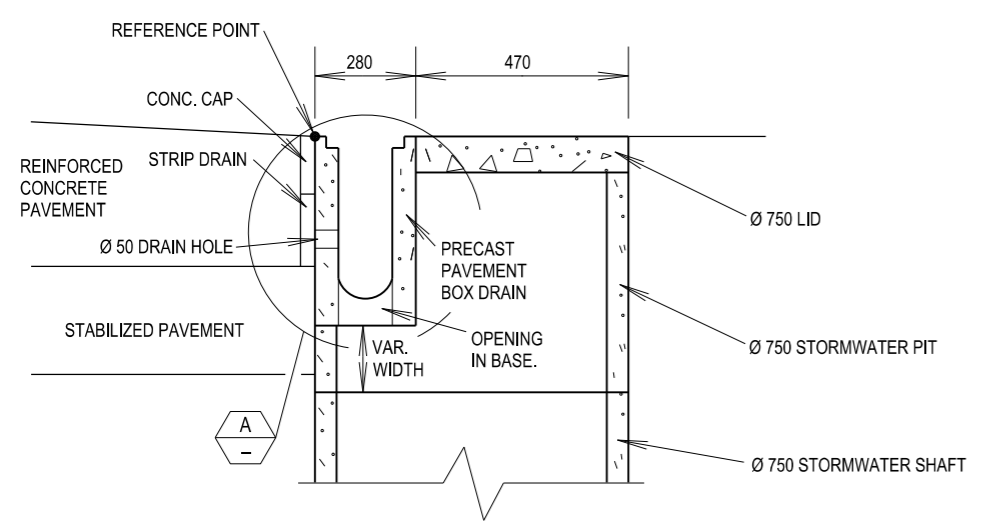
PLAN



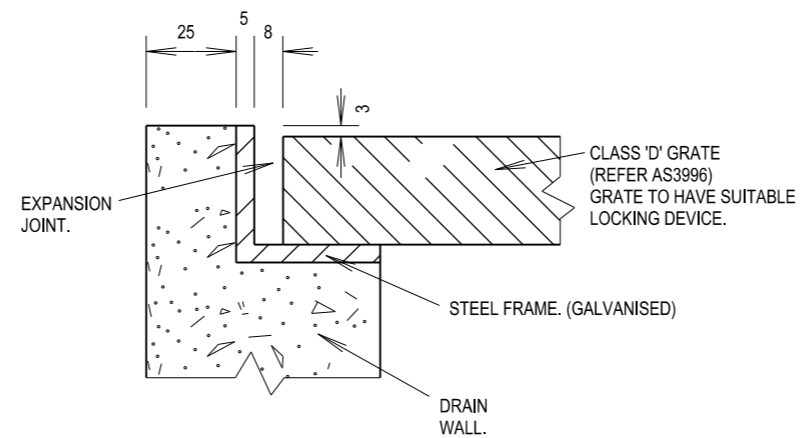
DRAIN CROSS SECTION



PERSPECTIVE VIEW
GENERAL ARRANGEMENT



SECTION 1
NOT TO SCALE
(WITHOUT GRATE)



GRATE ATTACHMENT

THIS DRAWING MAY BE PREPARED IN COLOUR AND MAY BE INCOMPLETE IF COPIED

50mm ON A3 SIZE ORIGINAL

QR CODE			SCAN TO CHECK DOCUMENT VER.			ALL DIMENSIONS ARE IN MILLIMETRES UNLESS OTHERWISE SHOWN			ISSUED			STANDARD DRAWING No. R0220-48			A3
REV			DATE			SCALES ON A3 SIZE DRAWING			SFR			ROAD DESIGN ENGINEERING			REV.
AMENDMENT / REVISION DESCRIPTION			WVR No.			CONTACT DETAILS			MANAGER ROAD POLICY, SPECIFICATIONS & TECHNOLOGY			R0220 STORMWATER DRAINAGE SERIES - GULLY PITS			-
						SEND FEEDBACK ON THIS STANDARD DRAWING TO : technologystandards@rms.nsw.gov.au			DATE 20.01.17			PRECAST PAVEMENT BOX DRAIN			-
									PREPARED BY ENGINEERING SERVICES ROAD POLICY, SPECIFICATIONS AND AND TECHNOLOGY			STANDARD DRAWING No. R0220-48			-
									NSW GOVERNMENT Transport Roads & Maritime Services			ORIGINAL ISSUE DATE JANUARY 2017			-
									EDMS No. DS2014/005869			SHEET 1 OF 1			-
									© Roads and Maritime Services						