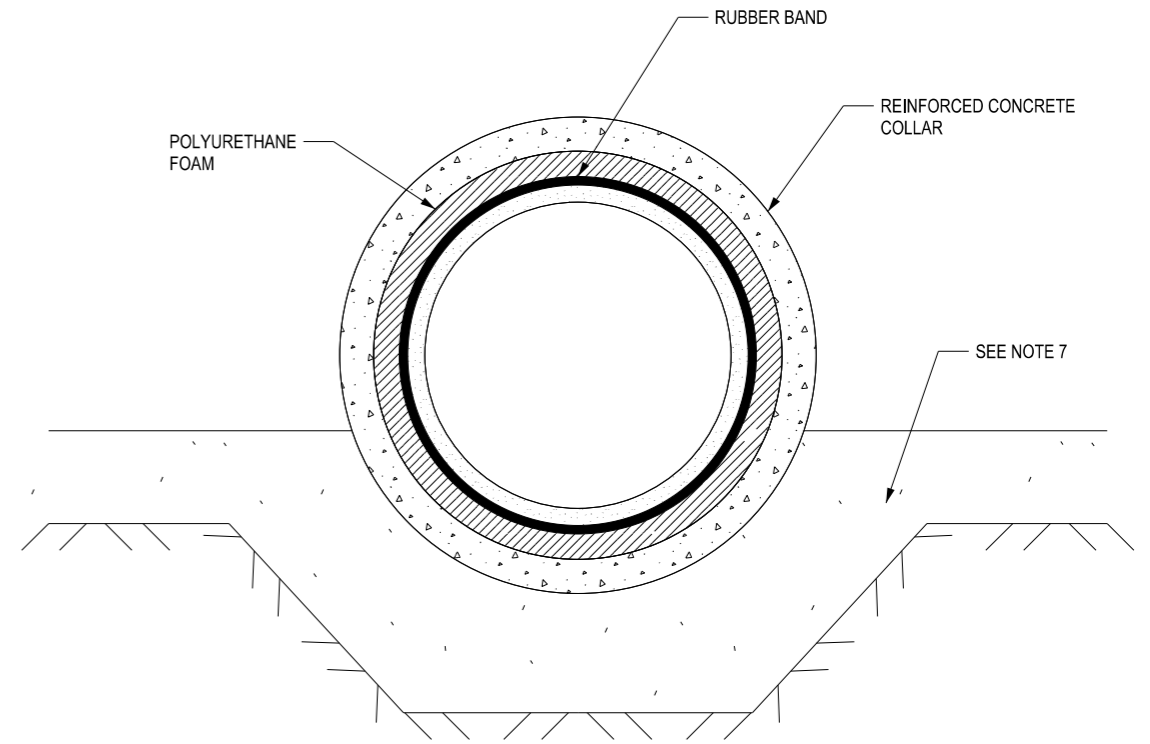
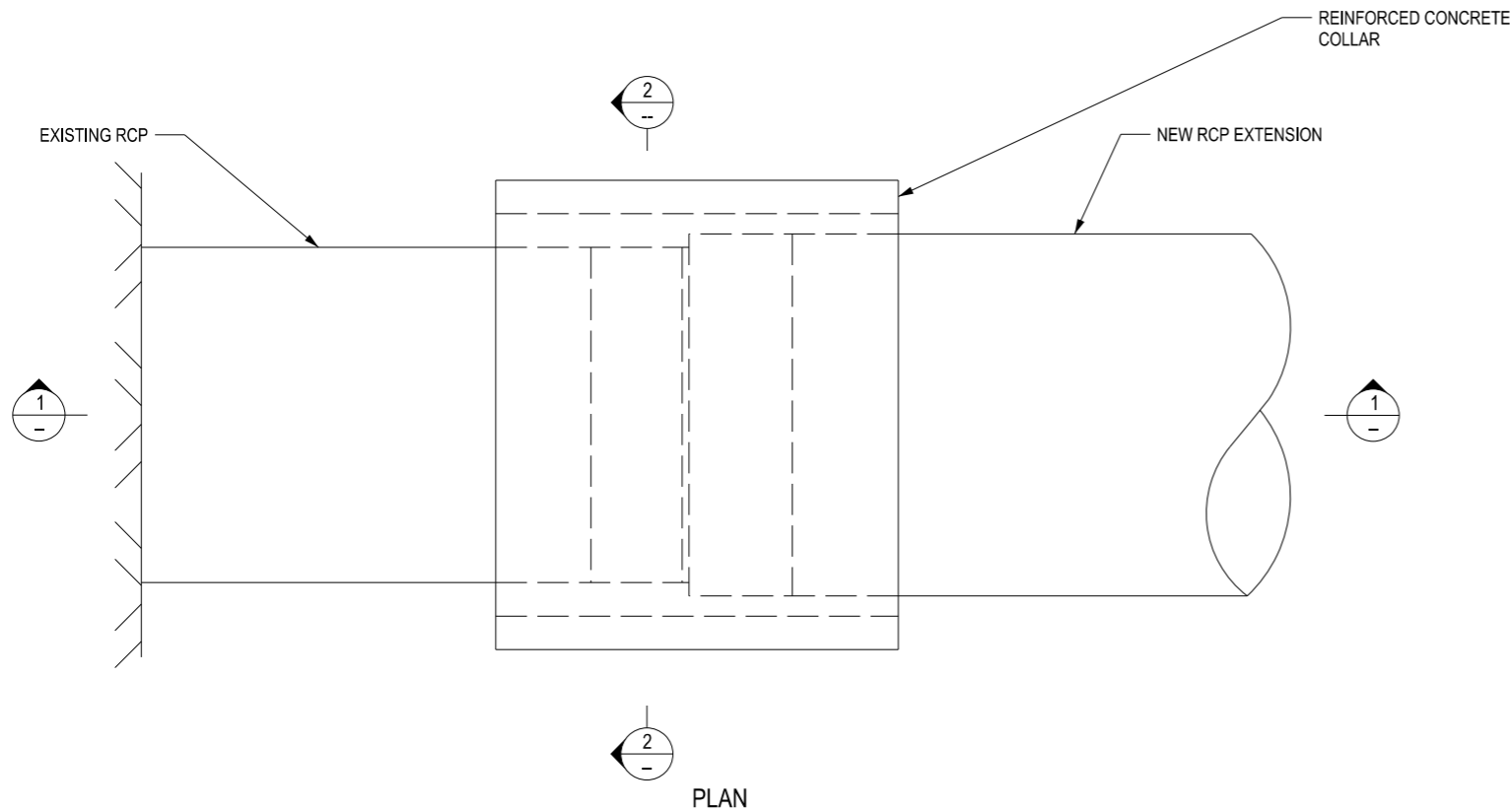


SECTION 1
NOT TO SCALE



SECTION 2
NOT TO SCALE



PLAN

NOTES

1. FOUNDATION AND TRENCH BASES MUST COMPLY WITH RMS R11 STORMWATER DRAINAGE SPECIFICATION.
2. RUBBER BAND MUST COMPLY WITH AS 1646.
3. CONCRETE COLLAR MUST COMPLY WITH RMS R11 SPECIFICATION AND MUST BE CLASS 4.
4. NEW EXTENSION PIPE DIAMETER MUST BE EQUAL TO OR LARGER THAN THE EXISTING PIPE DIAMETER.
5. CONCRETE COLLAR SIZE MUST BE TWO SIZES ABOVE THE NEW PIPE TO PROVIDE 25mm ALL ROUND FOR POLYURETHANE FOAM.
6. BACKFILL MATERIAL TO BE AS SPECIFIED IN RMS R11 SPECIFICATION.
7. FLOWABLE FILL IN ACCORDANCE WITH R11 AND AS3725 MUST BE USED TO BACKFILL THE VOID UNDER THE COLLAR TO THE TOP OF HAUNCH ZONE.

THIS DRAWING MAY BE PREPARED IN COLOUR AND MAY BE INCOMPLETE IF COPIED

QR CODE			SCAN TO CHECK DOCUMENT VER.			REV			DATE			AMENDMENT / REVISION DESCRIPTION			WVR No.			APPROVAL			ALL DIMENSIONS ARE IN MILLIMETRES UNLESS OTHERWISE SHOWN			SCALES ON A3 SIZE DRAWING			CONTACT DETAILS			ISSUED			SFR			MANAGER ROAD POLICY, SPECIFICATIONS & TECHNOLOGY			DATE 20.01.17			PREPARED BY ENGINEERING SERVICES ROAD POLICY, SPECIFICATIONS AND AND TECHNOLOGY			NSW GOVERNMENT Transport Roads & Maritime Services			STANDARD DRAWING ROAD DESIGN ENGINEERING R0220 STORMWATER DRAINAGE SERIES - GULLY PITS CONCRETE PIPE EXTENSION			SHEET 1 OF 1			A3		
QR CODE			SCAN TO CHECK DOCUMENT VER.			REV			DATE			AMENDMENT / REVISION DESCRIPTION			WVR No.			APPROVAL			ALL DIMENSIONS ARE IN MILLIMETRES UNLESS OTHERWISE SHOWN			SCALES ON A3 SIZE DRAWING			CONTACT DETAILS			ISSUED			SFR			MANAGER ROAD POLICY, SPECIFICATIONS & TECHNOLOGY			DATE 20.01.17			PREPARED BY ENGINEERING SERVICES ROAD POLICY, SPECIFICATIONS AND AND TECHNOLOGY			NSW GOVERNMENT Transport Roads & Maritime Services			STANDARD DRAWING No. R0220-49			REV.					
QR CODE			SCAN TO CHECK DOCUMENT VER.			REV			DATE			AMENDMENT / REVISION DESCRIPTION			WVR No.			APPROVAL			ALL DIMENSIONS ARE IN MILLIMETRES UNLESS OTHERWISE SHOWN			SCALES ON A3 SIZE DRAWING			CONTACT DETAILS			ISSUED			SFR			MANAGER ROAD POLICY, SPECIFICATIONS & TECHNOLOGY			DATE 20.01.17			PREPARED BY ENGINEERING SERVICES ROAD POLICY, SPECIFICATIONS AND AND TECHNOLOGY			NSW GOVERNMENT Transport Roads & Maritime Services			STATUS ISSUED			EDMS No. DS2014/005870			ORIGINAL ISSUE DATE JANUARY 2017		