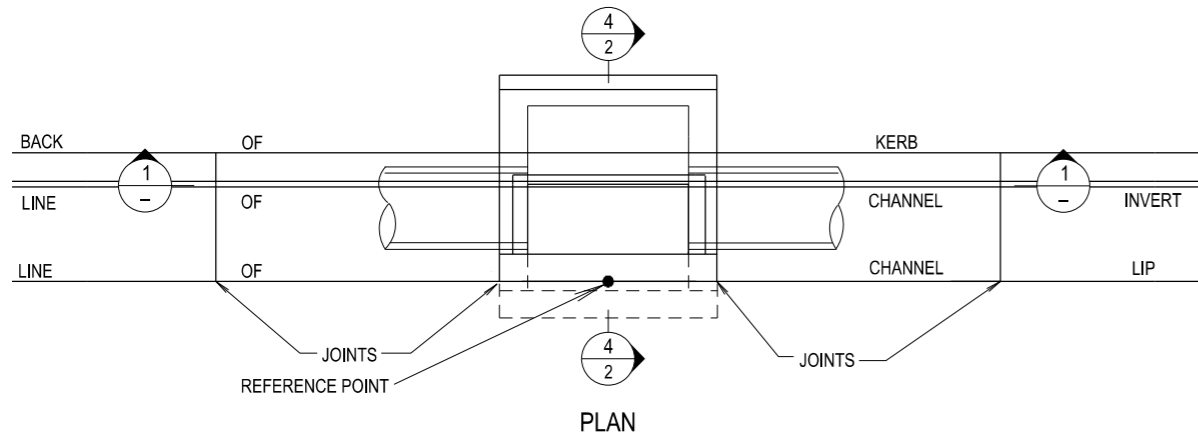
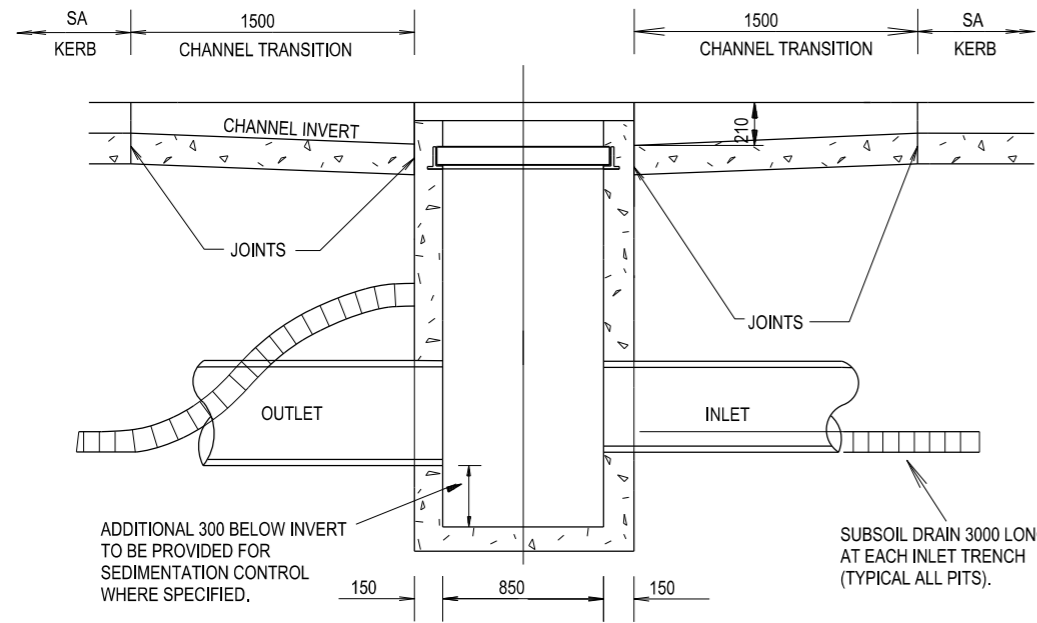
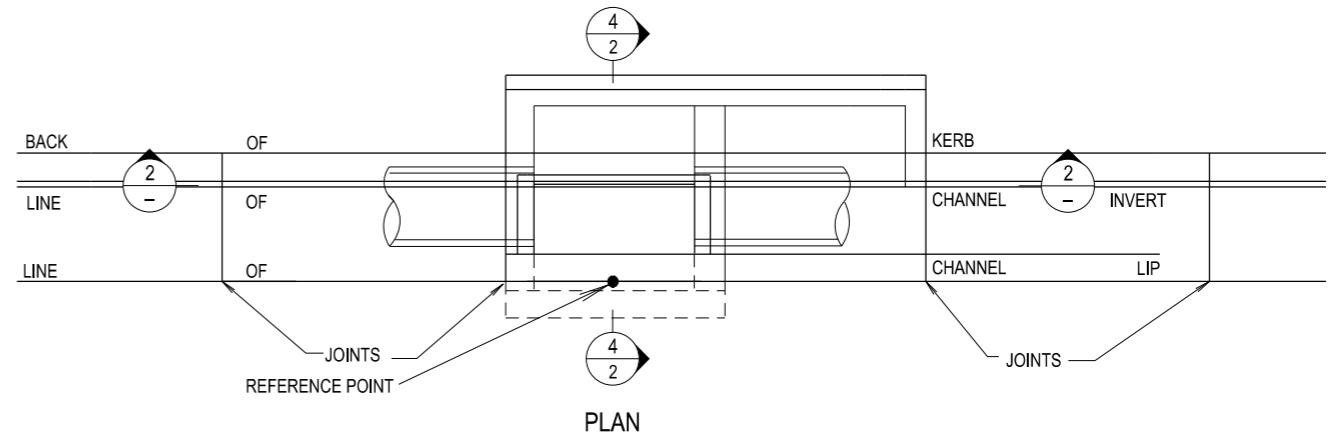


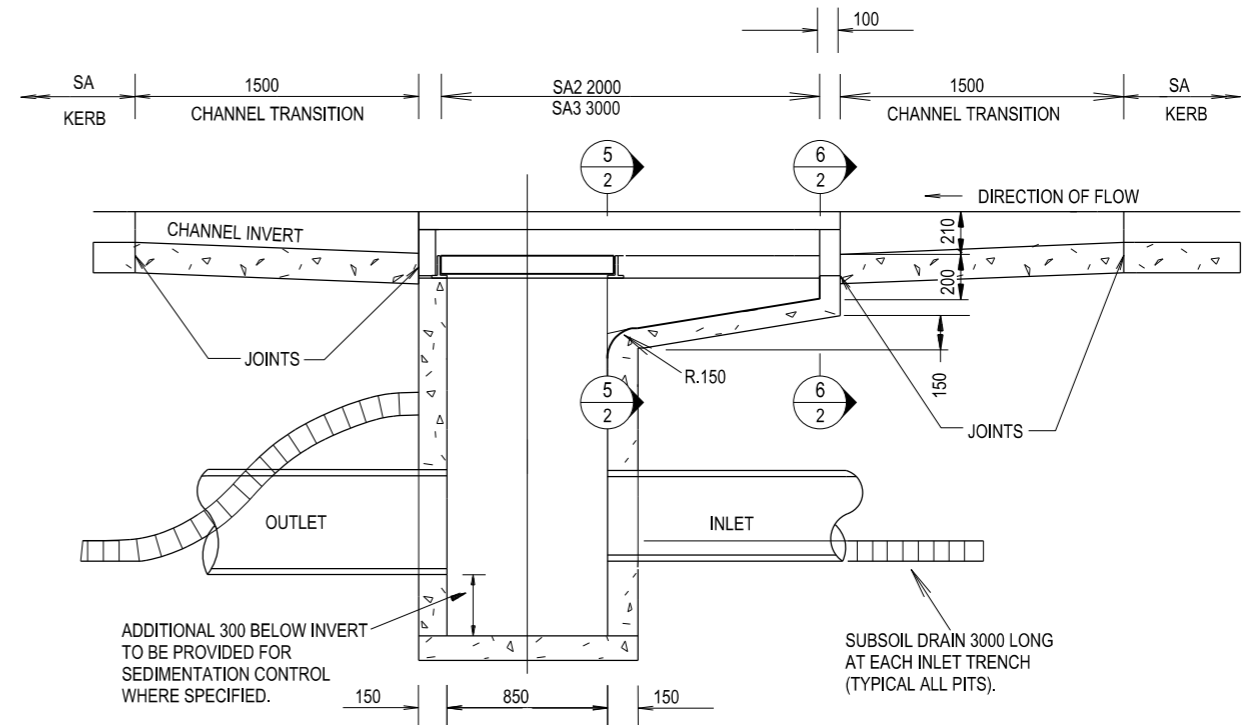
TYPE SA1



TYPES SA2 AND SA3



SECTION 1
NOT TO SCALE



SECTION 2
NOT TO SCALE

NOTES

1. CONCRETE GRADE N25.
2. SIDE WALLS OF PITS DEEPER THAN 1500 ARE TO BE REINFORCED WITH ONE LAYER OF RL1218 MESH RETURNED 300 INTO BASE.
3. PITS DEEPER THAN 1200 TO BE FITTED WITH GALVANISED STEP IRONS.
4. ALL EXPOSED EDGES TO BE ROUNDED WITH 20 RADIUS.
5. MINIMUM COVER OF REINFORCEMENT SHALL BE 50 UNLESS SHOWN OTHERWISE.
6. LOCATION AND LEVEL OF GULLY PIT SHOWN IN THE DRAWINGS REFER TO THIS POINT: ●
7. FOR DETAILS OF FRAME AND GRATE SEE R0220-05.
8. FOR PITS WITH PIPE DIAMETER GREATER THAN 450MM SEE R0220-28.
9. AT RIGHT ANGLE CHANGE IN PIPE DIRECTION, OUTLET INVERT TO BE 150 BELOW INLET INVERT.
10. DEPTH OF PIT NOT TO EXCEED 3500.

THIS DRAWING MAY BE PREPARED IN COLOUR AND MAY BE INCOMPLETE IF COPIED

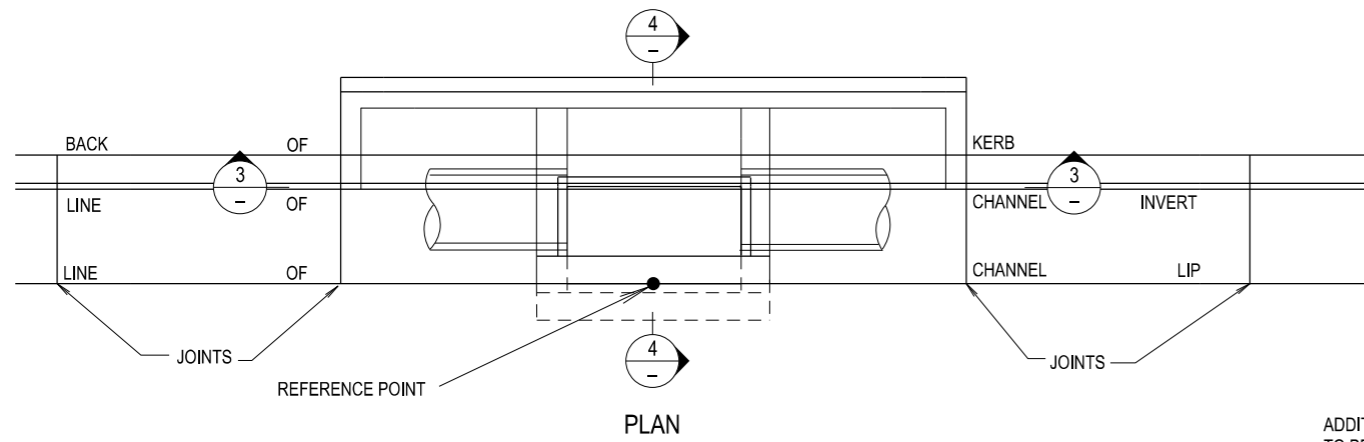
50mm ON A3 SIZE ORIGINAL

QR CODE		REV		DATE		AMENDMENT / REVISION DESCRIPTION		WVR No.		APPROVAL		ALL DIMENSIONS ARE IN MILLIMETRES UNLESS OTHERWISE SHOWN		ISSUED		Transport Roads & Maritime Services		STANDARD DRAWING ROAD DESIGN ENGINEERING R0220 STORMWATER DRAINAGE SERIES - GULLY PITS GULLY PIT TYPE SA ADJACENT TO CONCRETE PAVEMENT		A3	
												SEND FEEDBACK ON THIS STANDARD DRAWING TO : technologystandards@rms.nsw.gov.au		SFR MANAGER ROAD POLICY, SPECIFICATIONS & TECHNOLOGY		PREPARED BY ENGINEERING SERVICES ROAD POLICY, SPECIFICATIONS AND AND TECHNOLOGY		STANDARD DRAWING No. R0220-50		SHEET 1 OF 2	
														DATE 20.01.17		EDMS No. DS2014/005871		ORIGINAL ISSUE DATE JANUARY 2017		REV. -	
© Roads and Maritime Services																					

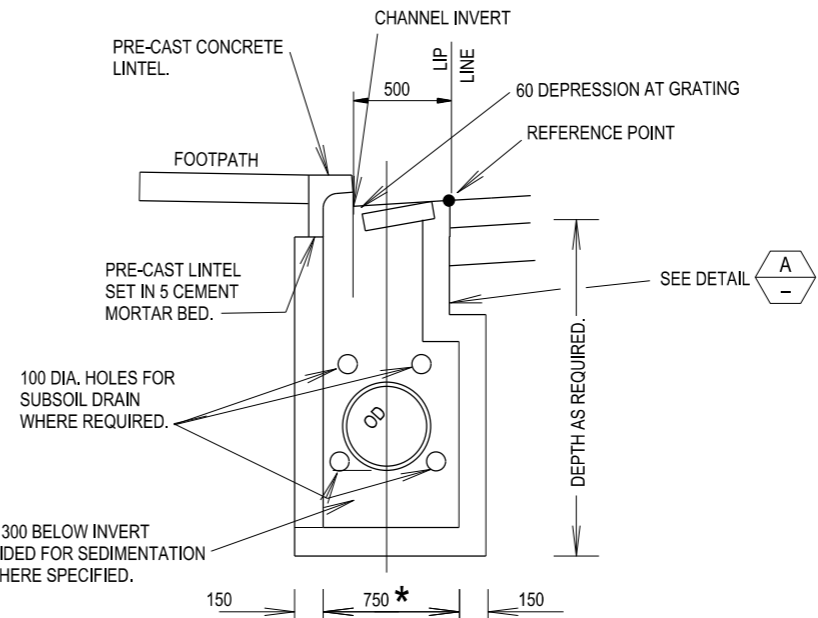
THIS DRAWING MAY BE PREPARED IN COLOUR AND MAY BE INCOMPLETE IF COPIED

50mm ON A3 SIZE ORIGINAL

TYPE SAS

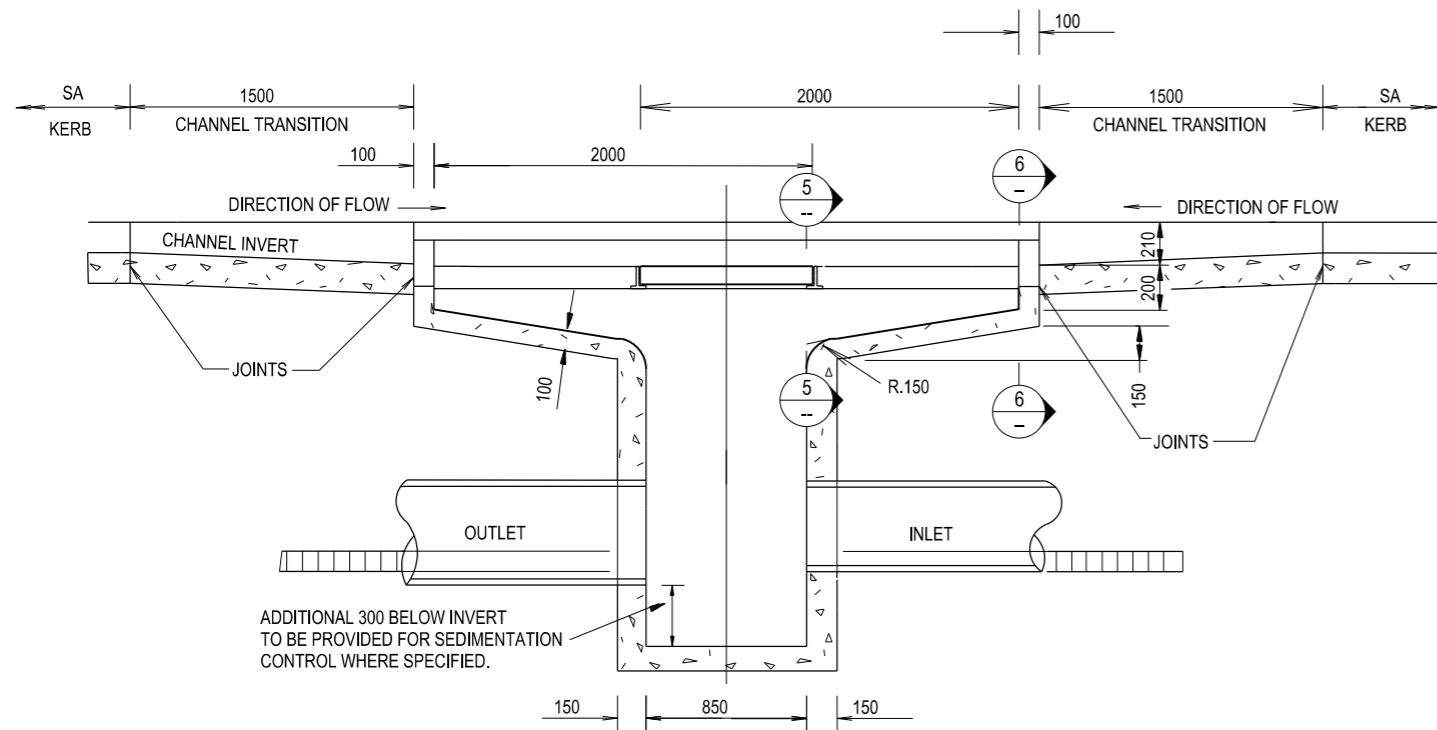


PLAN

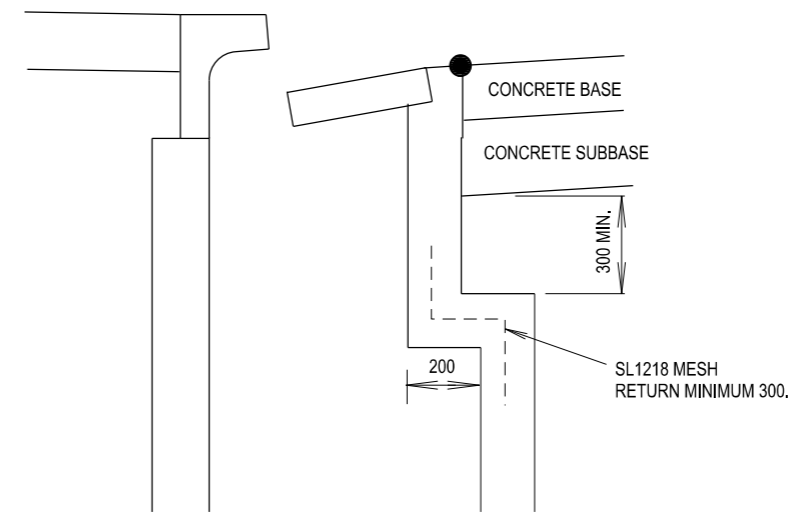


SECTION 4
NOT TO SCALE

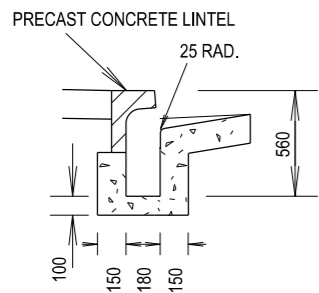
* OD +200 FOR PIPES GREATER THAN 450 DIA.



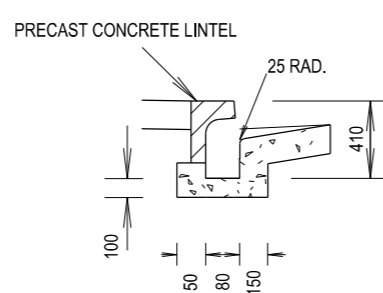
SECTION 3
NOT TO SCALE



DETAIL A
NOT TO SCALE



SECTION 5
NOT TO SCALE



SECTION 6
NOT TO SCALE

QR CODE				REV				AMENDMENT / REVISION DESCRIPTION				WVR No.				APPROVAL				SCALES ON A3 SIZE DRAWING				CONTACT DETAILS				ISSUED				MANAGER ROAD POLICY, SPECIFICATIONS & TECHNOLOGY				DATE				PREPARED BY				ENGINEERING SERVICES				ROAD POLICY, SPECIFICATIONS AND				AND TECHNOLOGY				STANDARD DRAWING				ROAD DESIGN ENGINEERING				R0220 STORMWATER DRAINAGE SERIES - GULLY PITS				GULLY PIT TYPE SA				ADJACENT TO CONCRETE PAVEMENT				SHEET 2 OF 2				STANDARD DRAWING No.				R0220-50				REV.				-				STATUS				ISSUED				EDMS No.				DS2014/005871				ORIGINAL ISSUE DATE				JANUARY 2017											
ALL DIMENSIONS ARE IN MILLIMETRES UNLESS OTHERWISE SHOWN																SEND FEEDBACK ON THIS STANDARD DRAWING TO : technologystandards@rms.nsw.gov.au																DATE 20.01.17																PREPARED BY ENGINEERING SERVICES ROAD POLICY, SPECIFICATIONS AND AND TECHNOLOGY																STANDARD DRAWING No. R0220-50																STATUS ISSUED																EDMS No. DS2014/005871																ORIGINAL ISSUE DATE JANUARY 2017															



STANDARD DRAWING
ROAD DESIGN ENGINEERING
R0220 STORMWATER DRAINAGE SERIES - GULLY PITS
GULLY PIT TYPE SA
ADJACENT TO CONCRETE PAVEMENT SHEET 2 OF 2
STANDARD DRAWING No. R0220-50
STATUS ISSUED
EDMS No. DS2014/005871
ORIGINAL ISSUE DATE JANUARY 2017