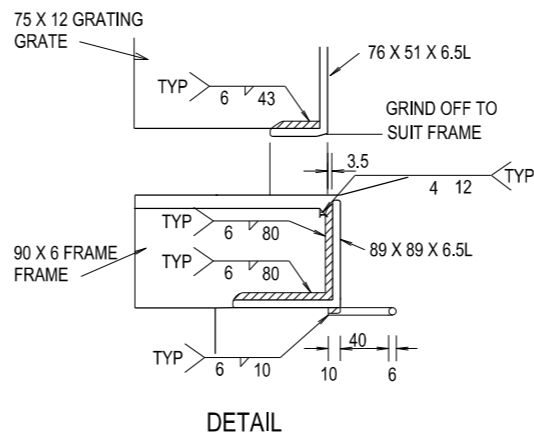
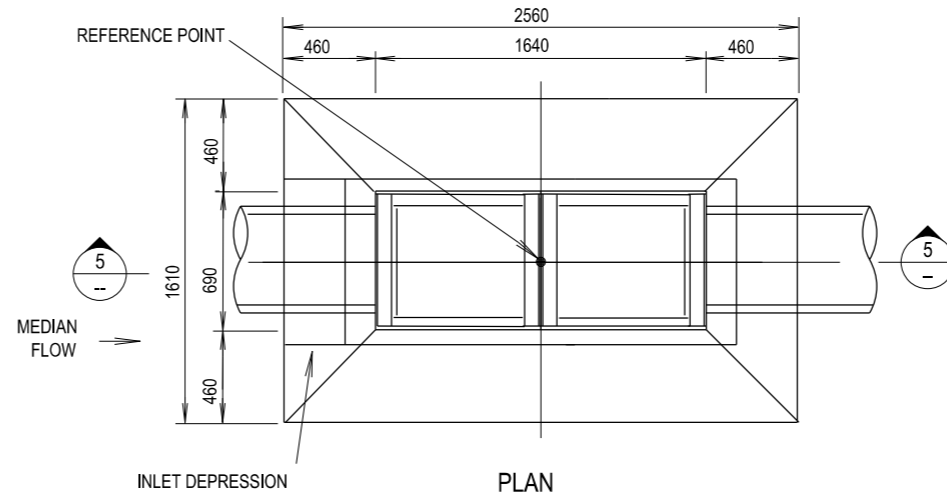
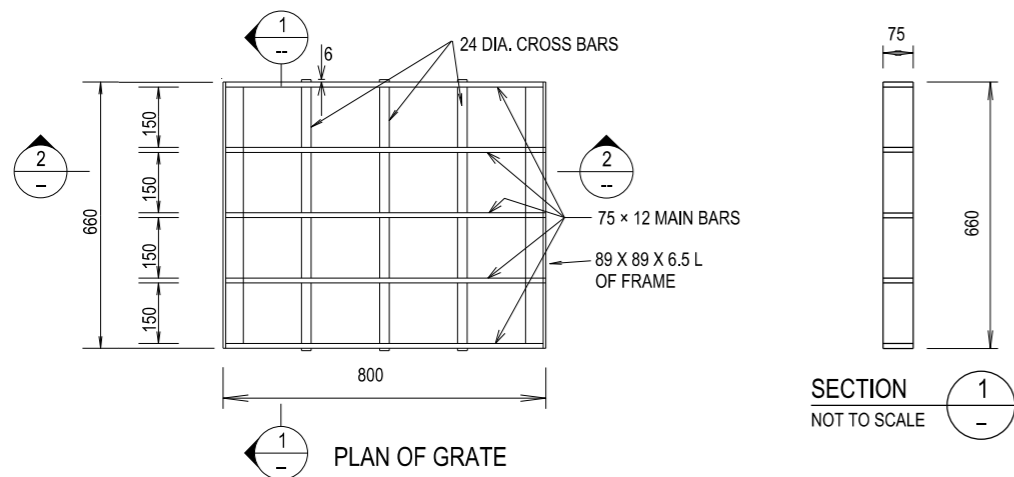
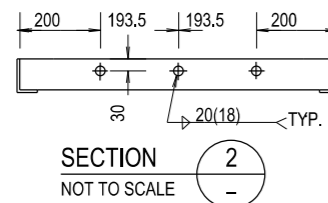
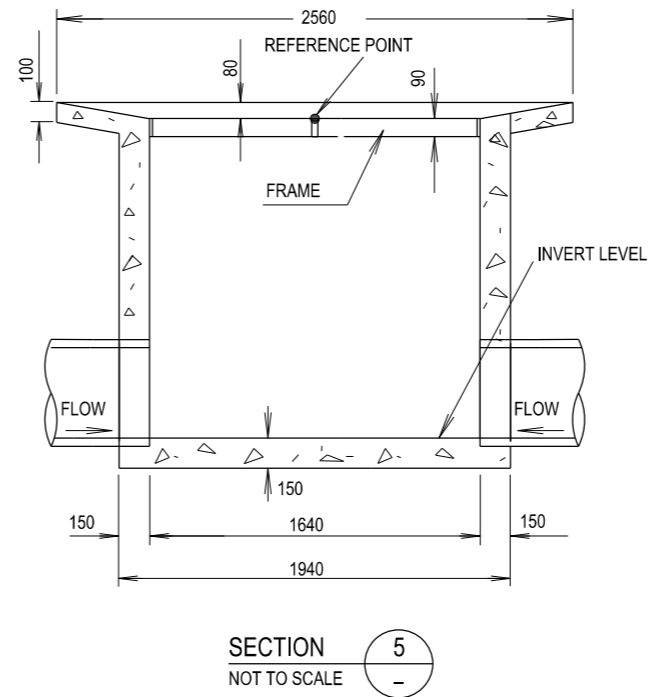
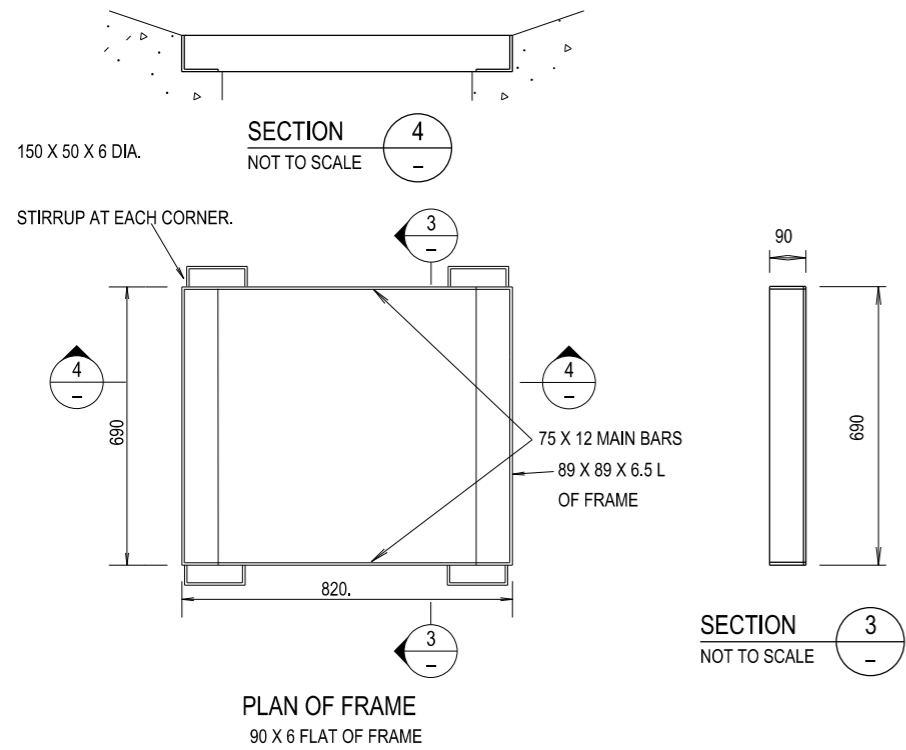


THIS DRAWING MAY BE PREPARED IN COLOUR AND MAY BE INCOMPLETE IF COPIED
50mm ON A3 SIZE ORIGINAL



NOTES
GULLY PIT:

1. INLET OUTLET PIPES TO BE LOCATED AS PER DRAINAGE PLANS.
2. PIPES TO BE CONNECTED TO PIT IN ACCORDANCE WITH R0220-43.
3. WHERE THE GULLY PIT IS LOCATED IN A SAG, INLET DEPRESSIONS ARE TO BE PROVIDED ON BOTH SIDES OF THE GULLY PIT.
4. USE CONCRETE GRADE N25.
5. SIDEWALLS OF PITS DEEPER THAN 1500 TO BE REINFORCED WITH ONE LAYER OF SL82 MESH RETURNED 300 INTO BASE.
6. PITS DEEPER THAN 1200 TO BE FITTED WITH GALVANIZED STEP IRONS.
7. PROVIDE SUBSOIL DRAINS INTO PITS AS REQUIRED.
8. DEPTH OF PIT NOT TO EXCEED 3500 mm.

GRATE AND FRAME:

1. STEEL GRATES AND FRAMES ARE TO BE FABRICATED FROM MILD STEEL AND HOT DIP GALVANISED.
2. THE GRATING SHOWN ON THIS DRAWING IS TO BE USED ONLY WHERE THERE IS NO PEDESTRIAN OR PEDAL CYCLIST MOVEMENTS AND WHERE THERE IS A PROBABILITY OF BLOCKAGE DUE TO MAINTENANCE PROCEDURES.
3. GRATING PATTERN AND BAR SIZES MAY VARY BUT SHALL BE CLASS D AND BICYCLE SAFE IN ACCORDANCE WITH AS 3996 UNLESS OTHERWISE STATED.

ALL DIMENSIONS ARE IN MILLIMETRES UNLESS OTHERWISE SHOWN

QR CODE	SCAN TO CHECK DOCUMENT VER.	REV	DATE	AMENDMENT / REVISION DESCRIPTION	WVR No.	APPROVAL	SCALES ON A3 SIZE DRAWING	CONTACT DETAILS	ISSUED	STANDARD DRAWING No.	REV.
								SEND FEEDBACK ON THIS STANDARD DRAWING TO : technologystandards@rms.nsw.gov.au	SFR	R0220-52	-
								DATE 20.01.17	PREPARED BY ENGINEERING SERVICES ROAD POLICY, SPECIFICATIONS AND AND TECHNOLOGY	EDMS No. DS2014/005873	ORIGINAL ISSUE DATE JANUARY 2017



PREPARED BY
ENGINEERING SERVICES
ROAD POLICY, SPECIFICATIONS AND
AND TECHNOLOGY

STANDARD DRAWING
ROAD DESIGN ENGINEERING
R0220 STORMWATER DRAINAGE SERIES - GULLY PITS
DEPRESSED LONGITUDINAL MEDIAN GULLY
PITS (MGLG) GRATES AND FRAMES
SHEET 1 OF 1

STATUS
ISSUED

EDMS No.
DS2014/005873

ORIGINAL ISSUE DATE
JANUARY 2017