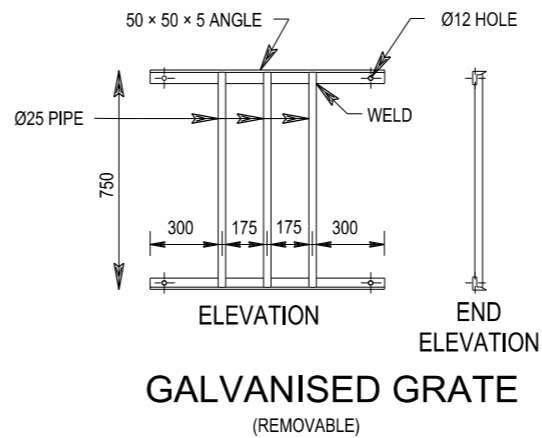
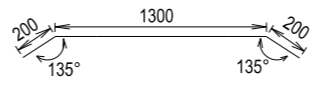



A1 REINFORCEMENT DETAILS
(REMOVABLE)



- NOTES**
1. CLEAR COVER TO OUTER FACE OF REINFORCEMENT 50 mm.
 2. CONCRETE GRADE N25.
 3. FOR FURTHER DETAILS OF GRATE, GULLY PITS, INVERT LEVELS AND PIPE DIAMETER SEE CONSTRUCTION PLANS OR STANDARD DRAWINGS.

THIS DRAWING MAY BE PREPARED IN COLOUR AND MAY BE INCOMPLETE IF COPIED

50mm ON A3 SIZE ORIGINAL

				ALL DIMENSIONS ARE IN MILLIMETRES UNLESS OTHERWISE SHOWN	ISSUED SFR MANAGER ROAD POLICY, SPECIFICATIONS & TECHNOLOGY DATE 20.01.17	STANDARD DRAWING ROAD DESIGN ENGINEERING R0230 STORMWATER DRAINAGE SERIES - BATTER DRAINS PIPE CULVERT IN CUT BATTER SHEET 1 OF 1	A3			
OR CODE SCAN TO CHECK DOCUMENT VER.	REV DATE AMENDMENT / REVISION DESCRIPTION	WVR No. APPROVAL	SCALES ON A3 SIZE DRAWING	CONTACT DETAILS SEND FEEDBACK ON THIS STANDARD DRAWING TO : technologystandards@rms.nsw.gov.au	PREPARED BY ENGINEERING SERVICES ROAD POLICY, SPECIFICATIONS AND AND TECHNOLOGY	STANDARD DRAWING No. R0230-01	STATUS ISSUED	EDMS No. DS2014/005874	ORIGINAL ISSUE DATE JANUARY 2017	REV. -